

MTP/MPO Cabling System

MTP/MPO Trunk Cables Assemblies



Overview

MTP/MPO Trunk Cable Assemblies are a superb solution for fast and consistent multimode fiber connectivity, which offer excellent benefits in terms of on-site installation time and space saving. They are designed for data center applications requiring high density and rapid deployment, guaranteeing a high-performance and high-speed network.

Features and Benefits

Small diameter and size

- Increases cabling density and saves space

Fiber counts available in 8 / 12 / 16 / 24 / 32 / 36 / 48 / 72 / 96 / 144-fibers

- Meets different cabling needs

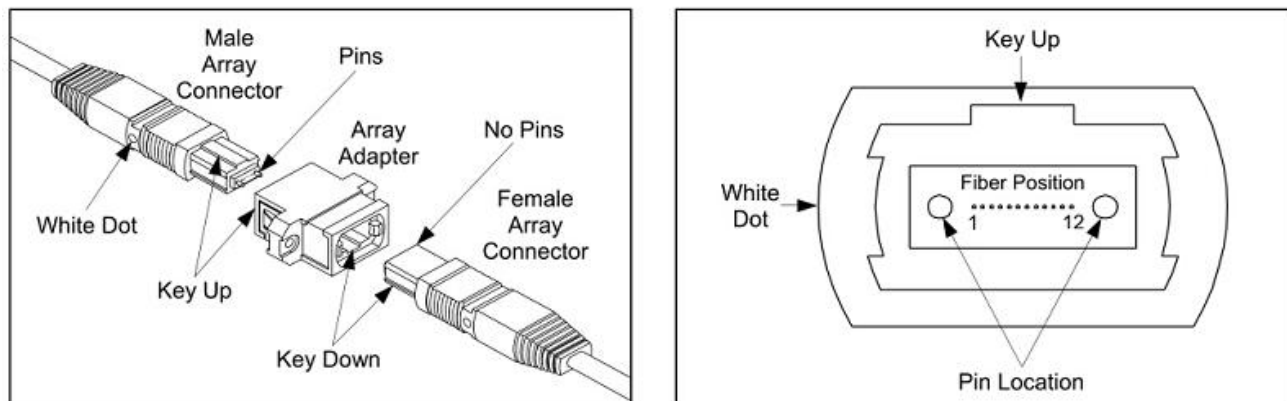
Removable housing feature of MTP/MPO connectors

- Simplifies installation and saves on labour costs

Better mechanical and optical performance

- Fits for high-speed network environment

MTP/MPO Connector Structure



Cable Mechanical & Physical Specifications

Fiber Count	8-144 fibers	
Fiber Mode	Single Mode	Multimode
	OS2: 9/125µm	OM1: 62.5/125µm OM2/OM3/OM4/OM5: 50/125µm
Fiber Type	OS2/OM1/OM2/OM3/OM4/OM5	
Cable Jacket	PVC, LSZH, OFNP & OFNR	
Polarity	Type A; Type B; Type C	

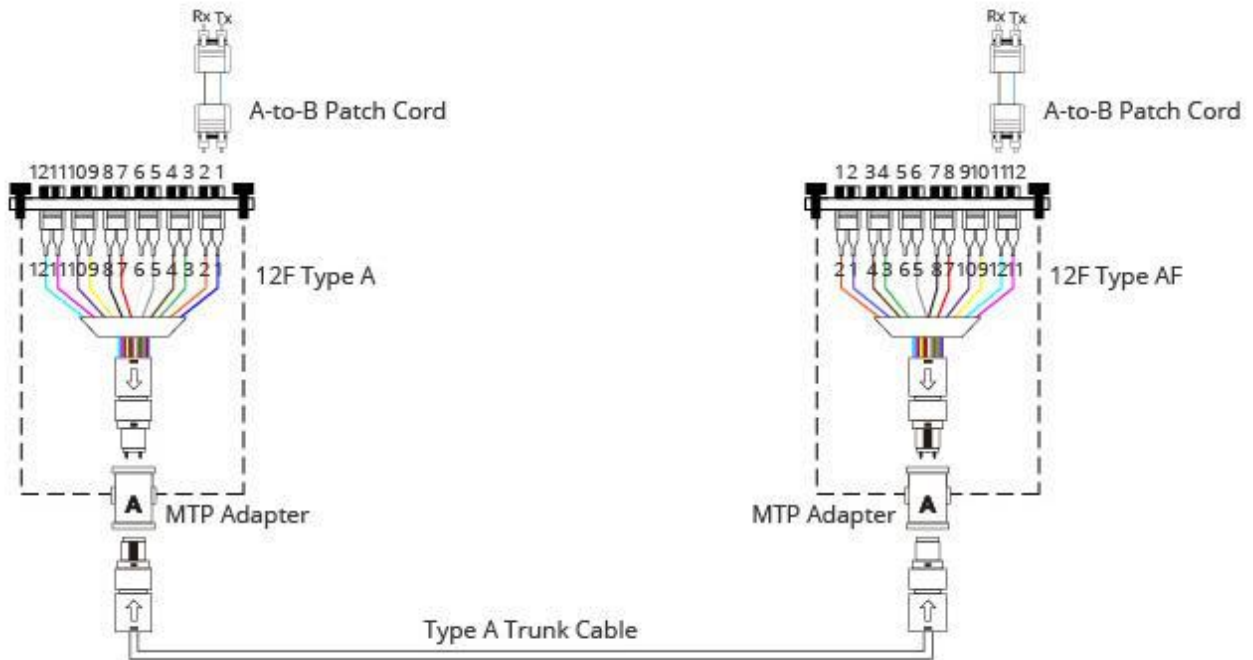
Fiber Performance Specifications

	OS2 Singlemode		OM1 Multimode		OM2 Multimode		OM3 Multimode		OM4 Multimode		OM5 Multimode	
Core size/Cladding	9/125µm		62.5/125µm		50/125µm		50/125µm		50/125µm		50/125µm	
Wavelength (nm)	1310	1550	850	1300	850	1300	850	1300	850	1300	850	1300
Attenuation (dB/km)	≤0.4	≤0.25	≤3	≤1	≤3	≤3	≤2.5	≤0.8	≤2.5	≤0.8	≤2.5	≤0.8
OFL Bandwidth (MH•Km)	N/A		≥200	≥500	≥500	≥500	≥1500	≥500	≥3500	≥500	≥3500	≥500

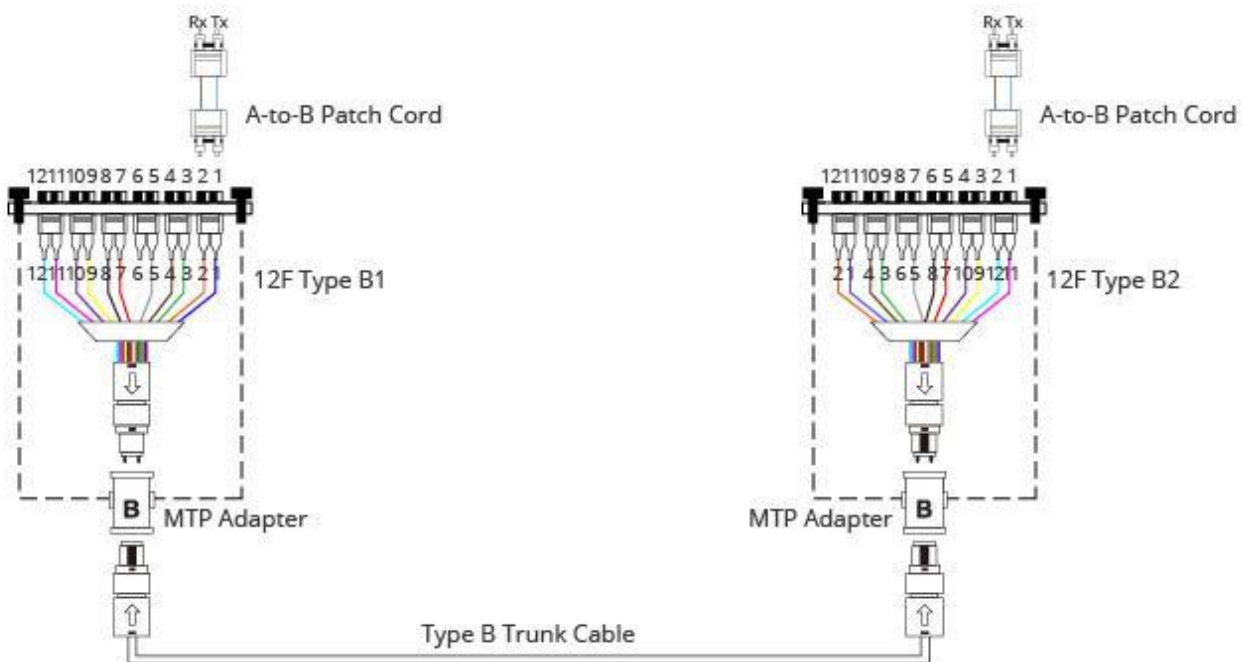
Cable Assemblies Technical Information

Polarity Methods in MTP/MPO System

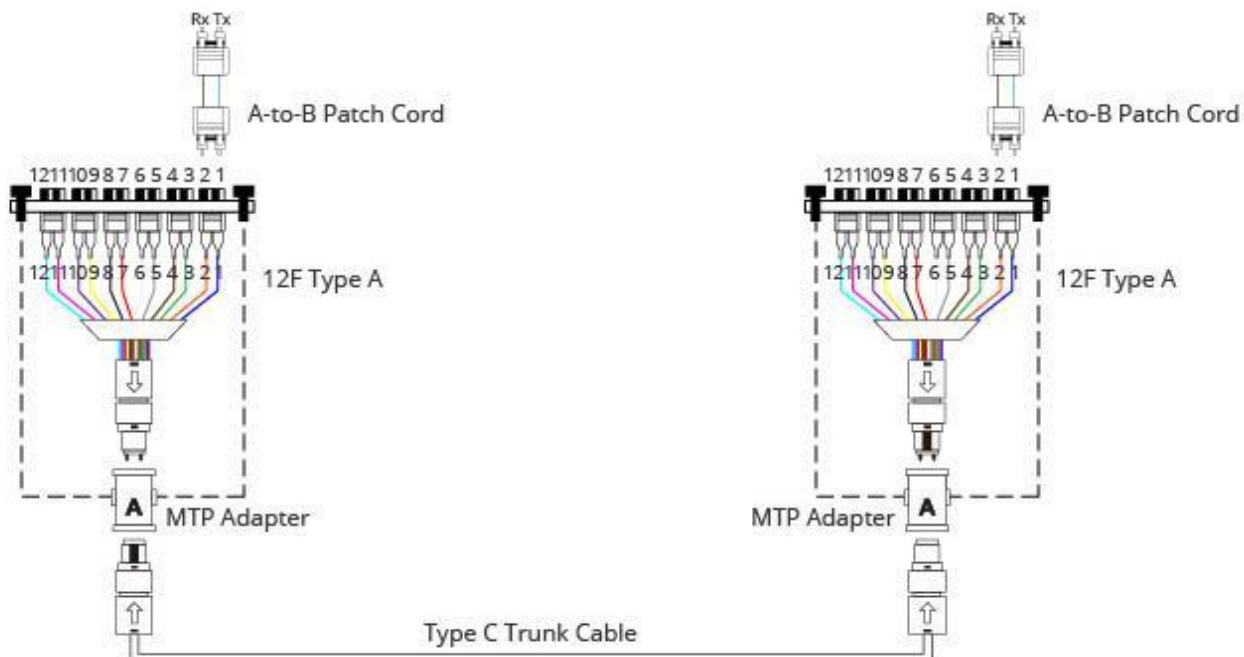
Method A



Method B



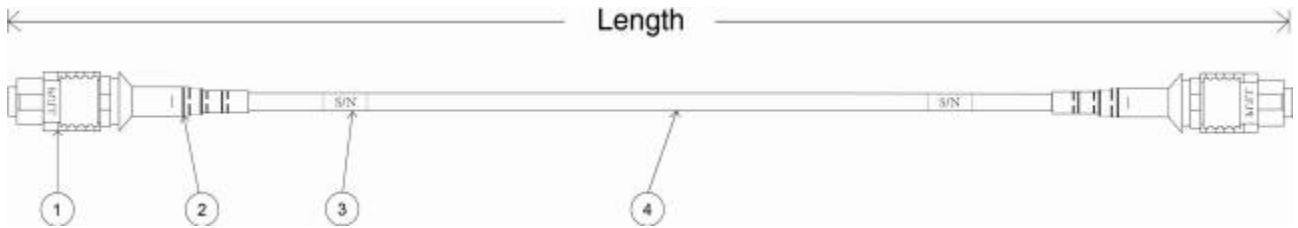
Method C



MTP/MPO Connector Performance Specifications

Item	MTP Fiber Connector		MPO Fiber Connector	
	Singlemode	Multimode	Singelmode	Multimode
Insertion Loss	0.25 dB Typical	0.20 dB Typical	0.1 dB Typical	0.05 dB Typical
	0.75 dB Maximum	0.60 dB Maximum	0.25 dB Maximum	0.15 dB Maximum
Return Loss	>60 dB	>20 dB	≥60 dB	≥25 dB

Technical Drawing

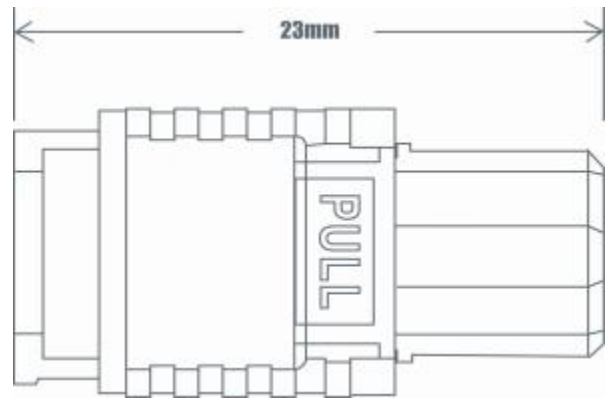
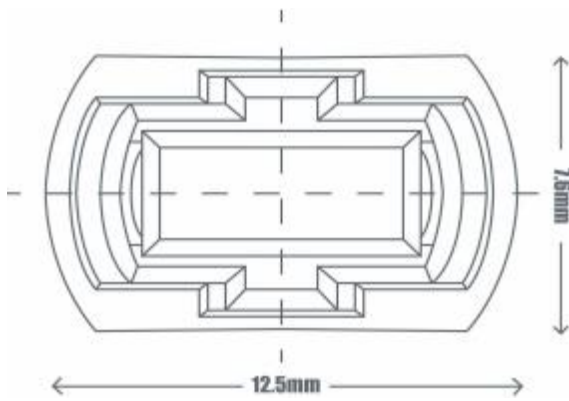


① MTP®/MPO Connector

② Connector Boot

③ Serial Number Label

④ Cable Jacket





 <https://www.fs.com>



The information in this document is subject to change without notice. FS has made all efforts to ensure the accuracy of the information, but all information in this document does not constitute any kind of warranty.

Copyright © 2009-2022 [FS.COM](https://www.fs.com) All Rights Reserved.