

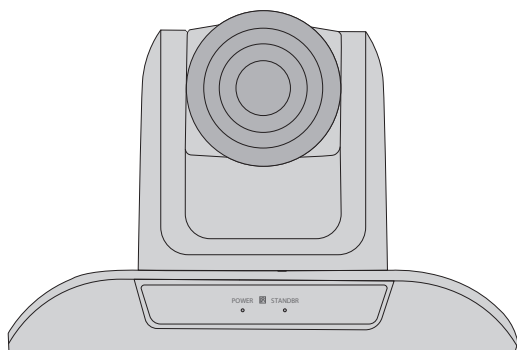
FS-CC3XU2

FS VIDEO CONFERENCE CAMERA

Quick Start Guide **V1.0**

Introduction

FS provides professional USB, Plug-N-Play PTZ camera for small conference rooms, to save you manpower and equipment costs and maximize your team's collaboration.



FS-CC3XU2

Accessories



Serial Port Control Cable x1



Power Cord x1



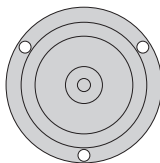
Power Adapter x1



USB 3.0 Cable x1



Remote Control x1



Ceiling Bracket x1



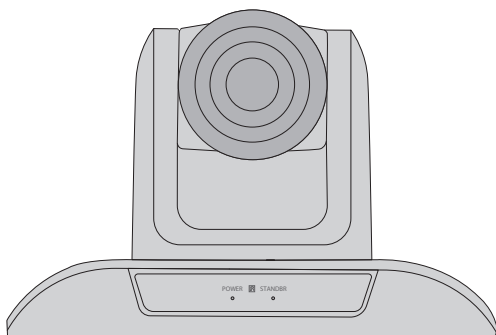
Plastic Expansion Screw x3



KA4 Screw x3

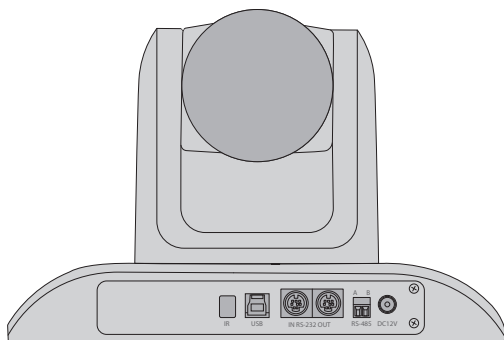
Hardware Overview

Front Panel LEDs



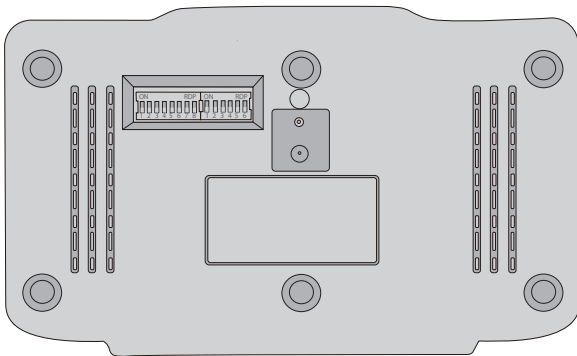
LED	LED Color	Description
POWER/ STANDBY	Red Light	The power is on
	Green Light	Standby

Back Panel Ports



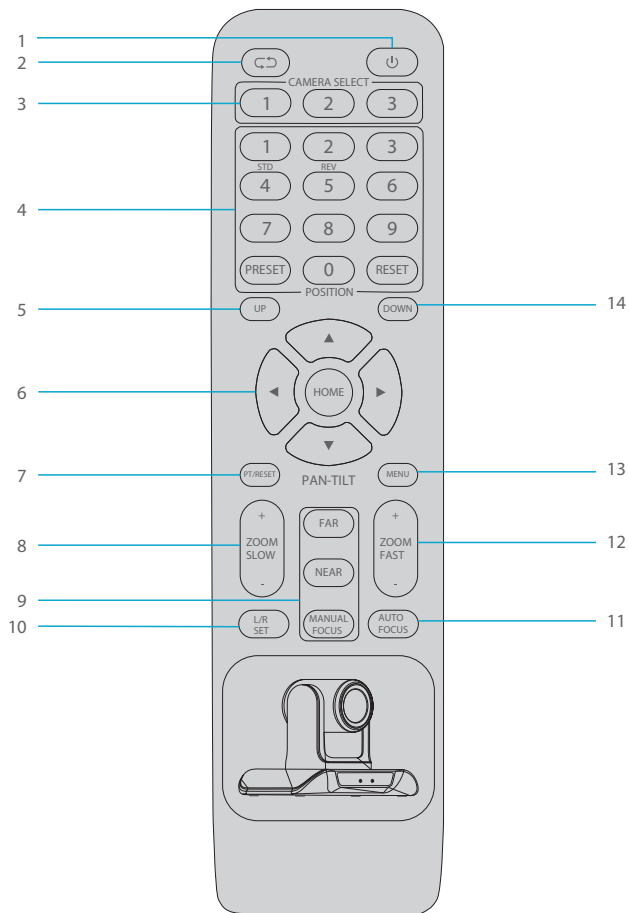
Ports	Description
IR	IR remote control receiver
USB	USB 2.0 Type-B port
RS-232 IN	RS-232 IN connection
RS-232 OUT	RS-232 OUT connection
RS-485	RS-485 connection
DC 12V	DC 12V jack

Bottom Panel Button



Button	Description
Camera Address Set	Debug and set the camera address

Remote Control Introduction

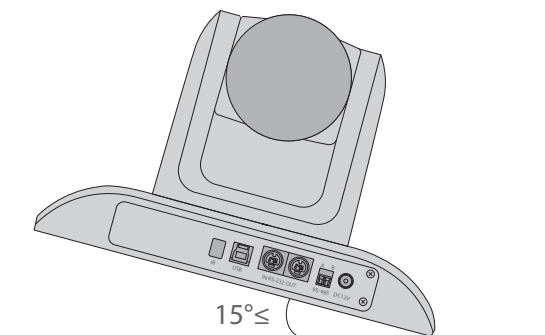


Name		Function
1	POWER	Standby button. When pressing it, camera goes into standby mode; pressing again, camera goes power on.
2	P/T RESET	Camera pan/tilt reset function is same as 7 (P/T RESET).
3	CAMERA SELECT	Choose the camera number needed to control, to correspond the dial-up code on the back of camera.
4	POSITION	Preset position setup keys, including PRESET and RESET. Press PRESET+NUMBER to setup preset; Press RESET+NUMBER to clear preset.
5	UP	Camera rotates horizontally in regular installed direction.
6	PAN-TILT	Camera rotation control key: Press this button and move by the arrow direction, press HOME to back to the center of vertical and horizontal position.
7	P/T RESET	Camera pan/tilt reset.
8	ZOOM SLOW	ZOOM SLOW+: Zoom in at low speed ; ZOOM SLOW-: Zoom out at low speed.
9	MANUAL FOCUS MODE	MANUAL FOCUS: Start manual focus function; FAR: Manually far focus button, clearer for the distant objects, loose finger to stop; NEAR: Manually near focus button, clearer for the nearby object, loose finger to stop.
10	L/R DIRECTION /SET	Not applicable for the FS-CC3XU2 camera.
11	AUTO FOCUS	Auto focusing button.
12	ZOOM FAST	ZOOM FAST+: Zoom in at fast speed; ZOOM FAST-: Zoom out at fast speed.
13	MENU	Not applicable for the FS-CC3XU2 camera.
14	DOWN	Camera rotating horizontally in reversed installed direction.

Mounting Camera

(1) Surface Installation

Put the camera on the table, and make sure the camera is level. If you want to put the camera on an oblique surface, please make sure the angle of inclination is less than 15 degrees for ensuring camera pan and tilt working in normal operation.

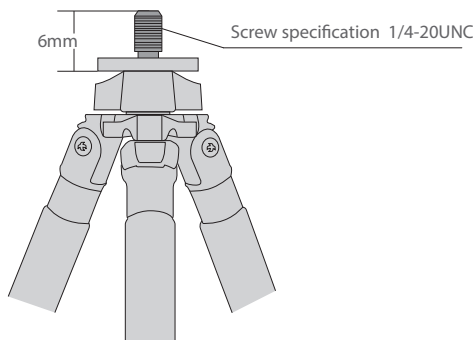


(2) Tripod Mount Installation

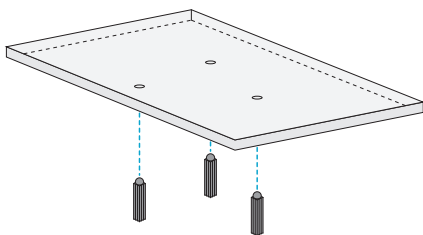
Twist the tripod's screw on the camera tripod hole, then attach the tripod to the bottom of the camera.



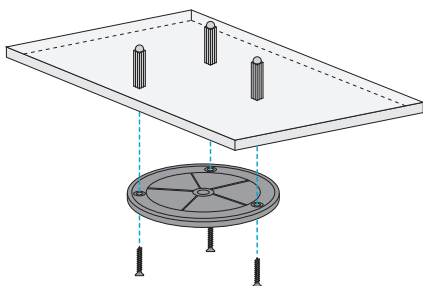
NOTE: The tripod screw must fit below.



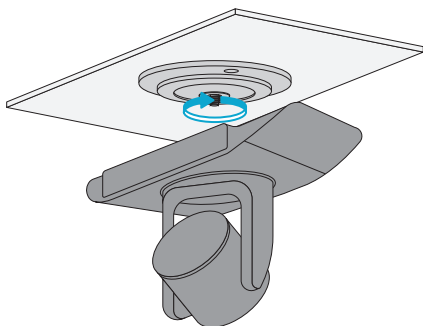
(3) Ceiling Mount Installation



1. Fixed the three plastic expansion screws to the ceiling.

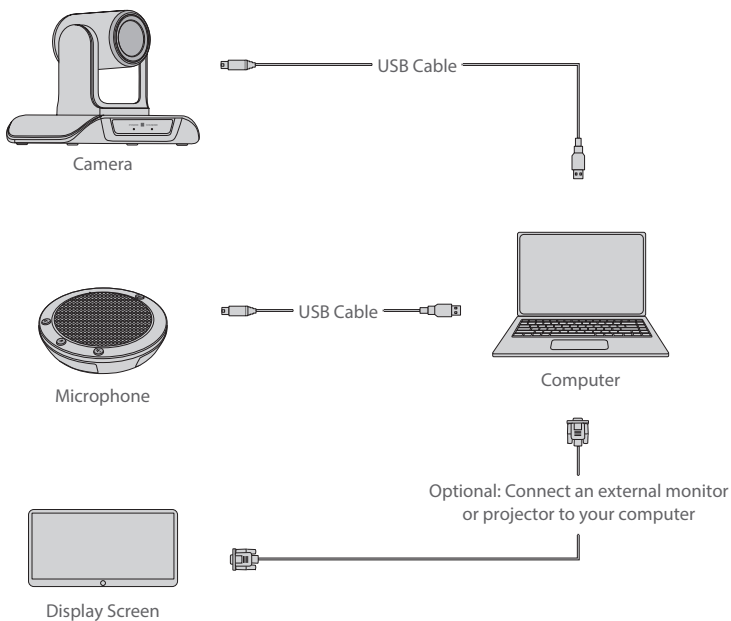


2. Mounting the bracket vertically to the ceiling with three KA4 screws.



3. Rotate the camera clockwise to install it.

Device Connection



1. Connect the USB cable to your computer. Power indicator will light up and camera head will rotate to show USB connection. Optional: Connect an external monitor to your computer.

2. Make a video conference. Run your video application (Zoom, Skype for Business, Google Hangouts, Cisco WebEx, GoToMeeting, and etc.) and select FS Video Conference Camera as your video device.

Support and Other Resources

- Download <https://www.fs.com/download.html>
- Help Center https://www.fs.com/service/help_center.html
- Contact Us https://www.fs.com/contact_us.html

Product Warranty

FS ensures our customers that any damage or faulty items due to our workmanship, we will offer a free return within 30 Days from the day you receive your goods. This excludes any custom made items or tailored solutions.



Warranty: All Video Conference Cameras enjoy 3 years limited warranty against defect in materials or workmanship. For more details about warranty, please check at <https://www.fs.com/policies/warranty.html>



Return: If you want to return item(s), information on how to return can be found at https://www.fs.com/policies/day_return_policy.html