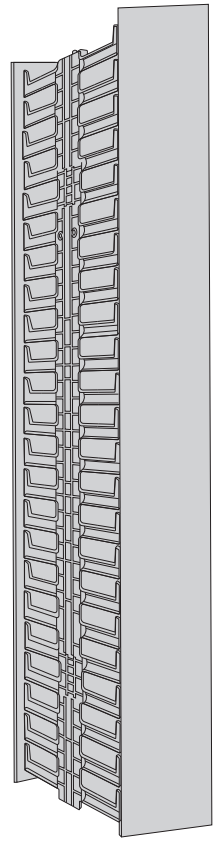
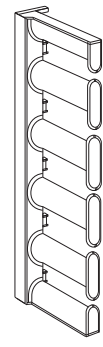


5

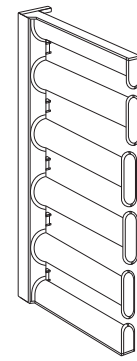
5U/45U Plastic Vertical Cable Manager
VERTICAL CABLE MANAGER
 Quick Start Guide **V1.0**

1

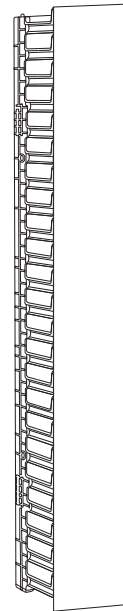
Product View



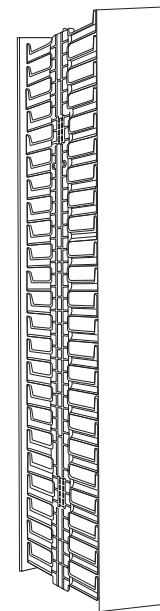
CMV-5U3W



CMV-5U5W



CMV-SFD45U5W

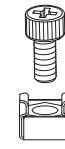


CMV-DFD45U5W

2

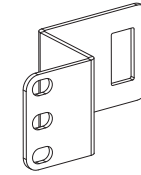
Accessories

CMV-5U3W/CMV-5U5W



4x

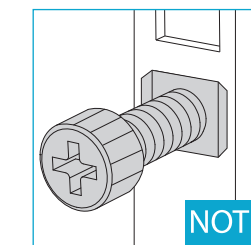
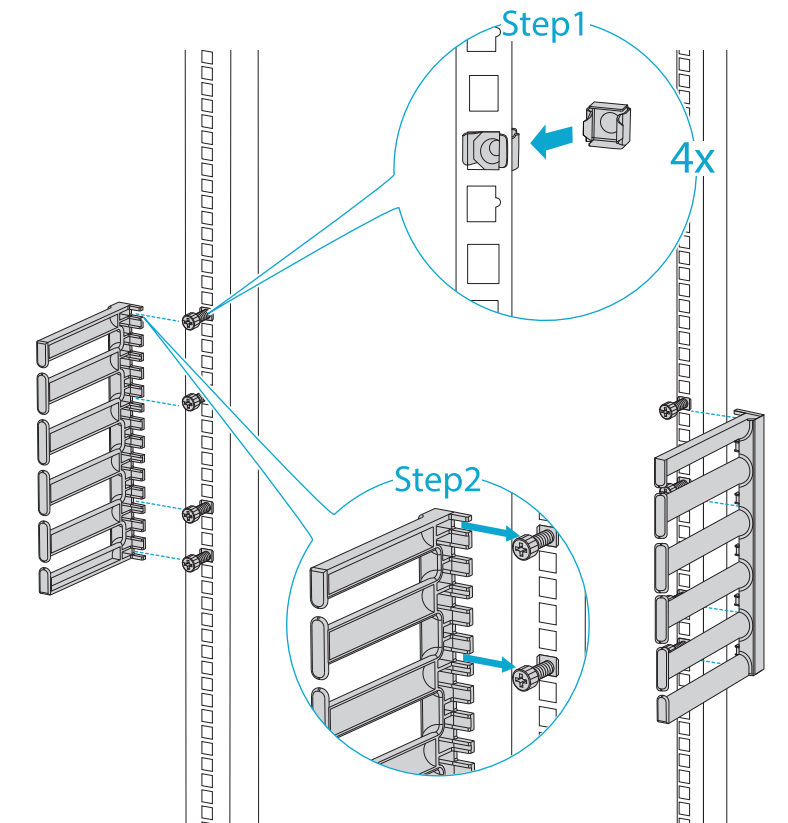
CMV-SFD45U5W/CMV-DFD45U5W



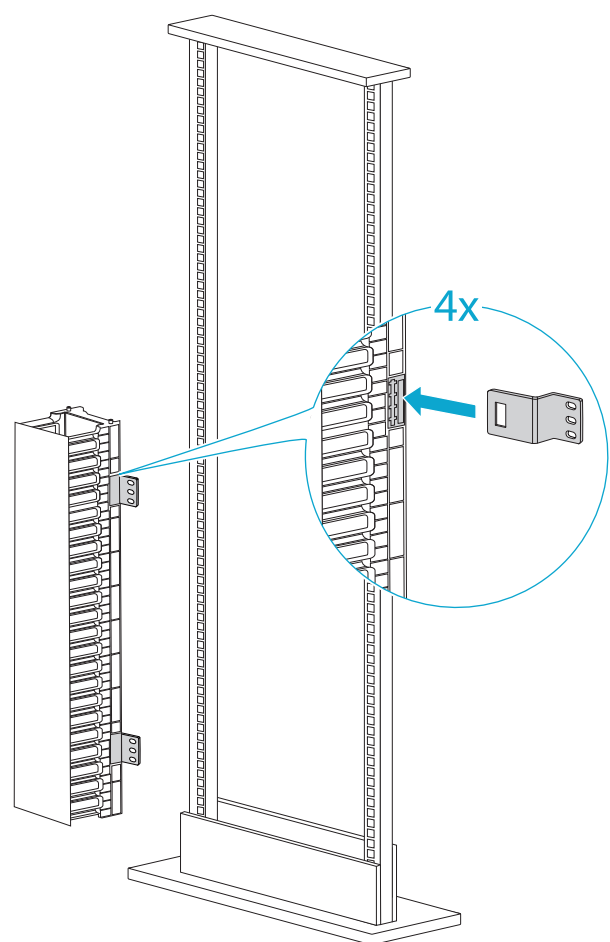
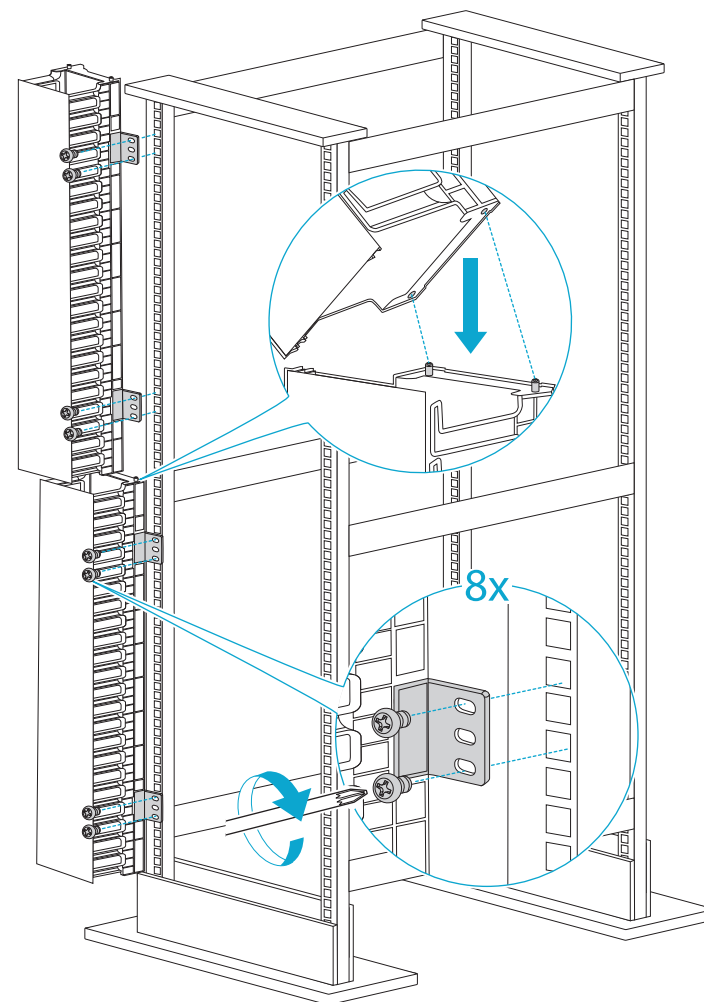
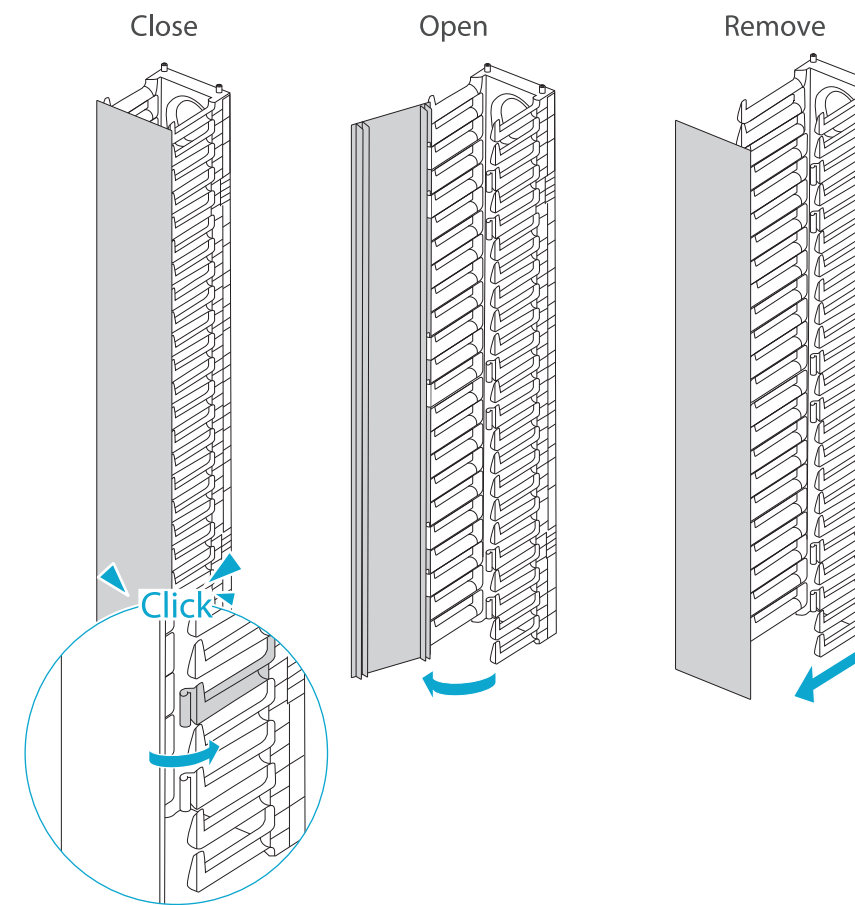
4x



8x

3**NOTE**

NOTE: Don't tighten the screws up until the vertical cable manager is installed.

4**5****6****7**

PART NUMBER	CABLE CAPACITY				
	CAT5E (24AWG-5.5mm)	CAT6 (24AWG-6.1mm)	CAT6 SLIM (28AWG-3.8mm)	CAT6A (26AWG-6.2mm)	CAT7 (26AWG-6.2mm)
CMV-5U3W	208	188	442	180	180
CMV-5U5W	352	314	741	296	296
CMV-SFD45U5W	3825	2745	7659	2700	2700
CMV-DFD45U5W	7650	5490	15390	5400	5400

NOTE: Vertical cable managers CMV-SFD45U5W and CMV-DFD45U5W are suitable for 45U open racks.

Q.C. PASSED

Copyright © 2019 FS.COM All Rights Reserved.