

# S3700-24T4F Switch FSOS Software Upgrade Guide

---

Model: S3700-24T4F

**Contents**

**Introduction to Version Upgrade..... 1**

**1. Upgrade through the CLI Interface..... 1**

    1.1 Connection Equipment..... 1

    1.2 Download Configuration Software..... 1

    1.3 Switch on and Use Login Software..... 1

    1.4 Log in Switch..... 2

    1.5 Upload File to Switch..... 2

    1.6 Download and Upgrade Version..... 3

    1.7 Restart to Test..... 4

**2. Upgrade through WEB Interface..... 5**

    2.1 Configure IP of VLAN 1 Interface..... 5

    2.2 Log in WEB Interface..... 5

    2.3 Upgrade System File in WEB Interface..... 6

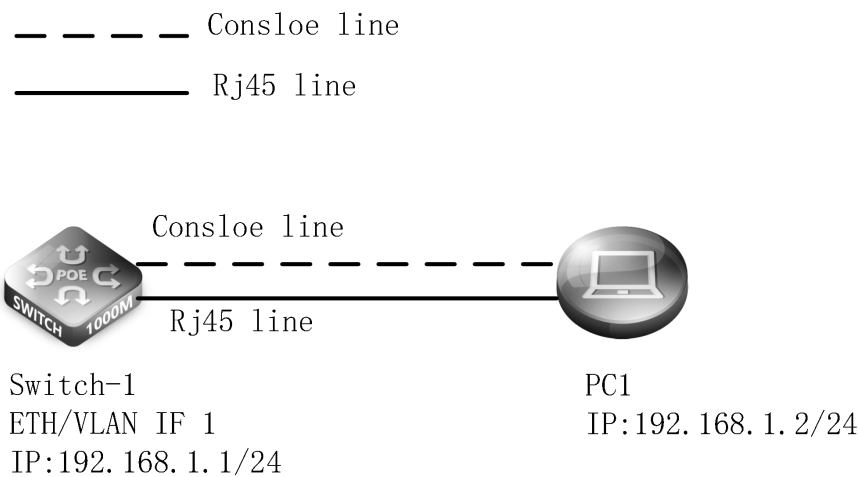
    2.4 Check the System Version in the WEB Interface of the Device..... 7

## Introduction to Version Upgrade

The switch system is one of the core components of the switch. The purpose of upgrading the switch system is to make the switch more stable and secure. At the same time, new features are added in the form of upgrading system version for better adapting to the business environment of customers.

### 1. Upgrade through the CLI Interface

#### Network Topology



#### Configuration Steps

##### 1.1 Connection Equipment

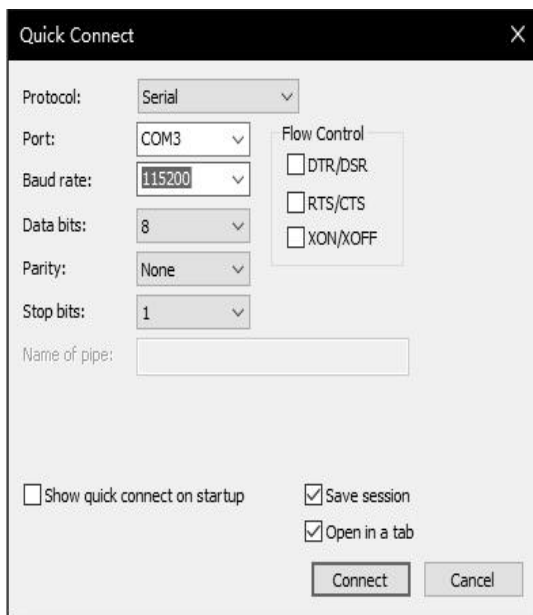
# Connect the PC and the switch to the network cable and the console port in the way of network Topo. Connect one end of the RJ-45 network cable to the network card interface of the PC and the other end to the network port of the Switch-1. Connect one end of the console cable VGA to the VGA port of the PC. One end of the RJ-45 is connected to the console port on the front panel of the switch.

##### 1.2 Download Configuration Software

# After the connection is completed, there we recommend the super terminal, putty or SecureCRT tool to configure the switch.

##### 1.3 Switch on and Use Login Software

# Energizing the switch, then open the installed login software, select the serial port of login mode, port through the device manager to determine. Baud rate :115200, Data bits: 8, Parity: None, Stop bits: 1. (Reference below)

**Note:**

COM Number can be viewed through device manager. (right click on my computer>manage>device manager>port (COM and LPT))

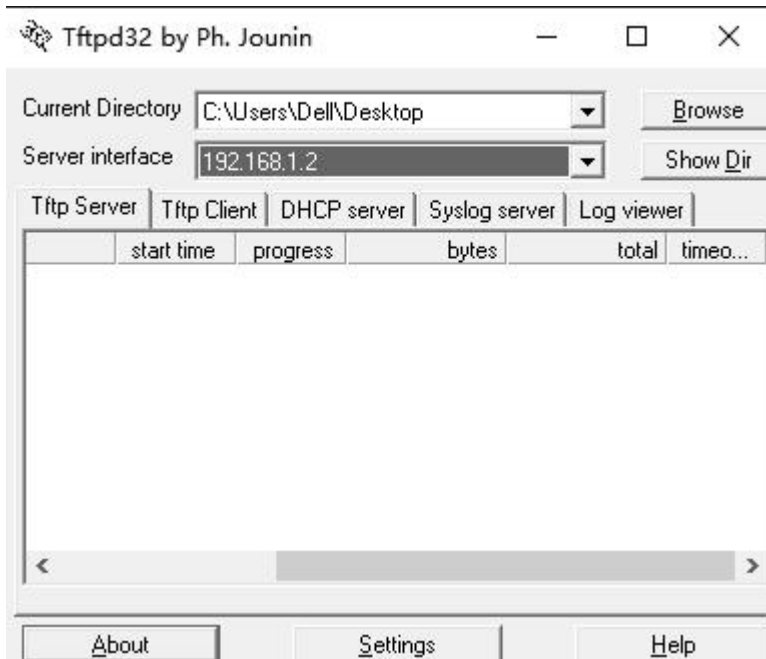
If it displays an unrecognized USB device, please download and install the corresponding driver.

## 1.4 Log in Switch

# After completing the above steps, hitting the Enter key of the keyboard will prompt you to enter the account password. At this time, enter the default username and password **admin/admin** to log in to the switch.

## 1.5 Upload File to Switch

# Install and open the software Tftp32 on the PC, specify the current directory as the uploaded corresponding file directory, and select the IP address of the PC for the server interface.



## 1.6 Download and Upgrade Version

# Choose the file which needs to be upgraded on TFTP and upload to the device for upgrade to achieve CLI interface software upgrade. After the upgrade, the system will automatically restart and load them to the latest upgrade version.

```

S3700-24T4F>enable
S3700-24T4F#copy tftp: flash
Source file name[]? S3700-24T4F_V63289.bin
Remote-server ip address[]?192.168.1.2
Destination file name[ S3700-24T4F_V63289.bin]? S3700-24T4F_V63289.bin
#####
#####
TFTP:succesfully receive 10042 blocks, 5141437 bytes
S3700-24T4F#config
S3700-24T4F_config#boot system flash S3700-24T4F_V63289.bin
S3700-24T4F_#reboot
    
```

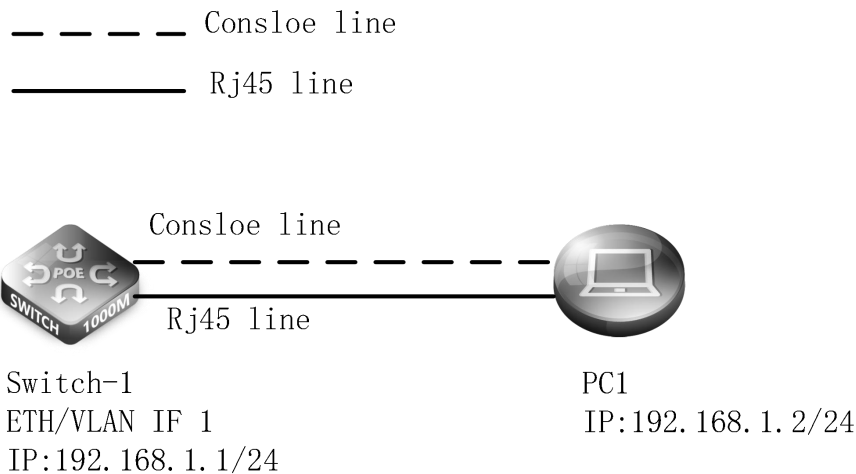
## 1.7 Restart to Test

# After restarting the device, check whether the current version has been upgraded successfully.

```
S3700-24T4FP#show version
Fiberstore Co., Limited Internetwork Operating System Software
S3700-24T4F Series Software, Version 2.2.0C Build 63289, RELEASE SOFTWARE
Copyright (c) 2019 by FS.COM All Rights Reserved
Compiled: 2019-5-23 12:26:52 by SYS, Image text-base: 0x80008000
ROM: System Bootstrap, Version 0.5.2,hardware version:A
Serial num:CG1908067301N0039, ID num:G20008005826
System image file is "Switch.bin"
FS S3700-24T4F RISC
131072K bytes of memory,16384K bytes of flash
Base ethernet MAC Address: 64:9d:99:20:ec:d4
PCB version:A
snmp info:
  vend_ID:52642  product_ID:423  system_ID:1.3.6.1.4.1.52642.1.423.0
Switch uptime is 0:19:20:54, The current time: 1970-1-1 19:20:54
```

## 2. Upgrade through WEB Interface

### Network Topology



### Configuration Steps

#### 2.1 Configure IP of VLAN 1 Interface

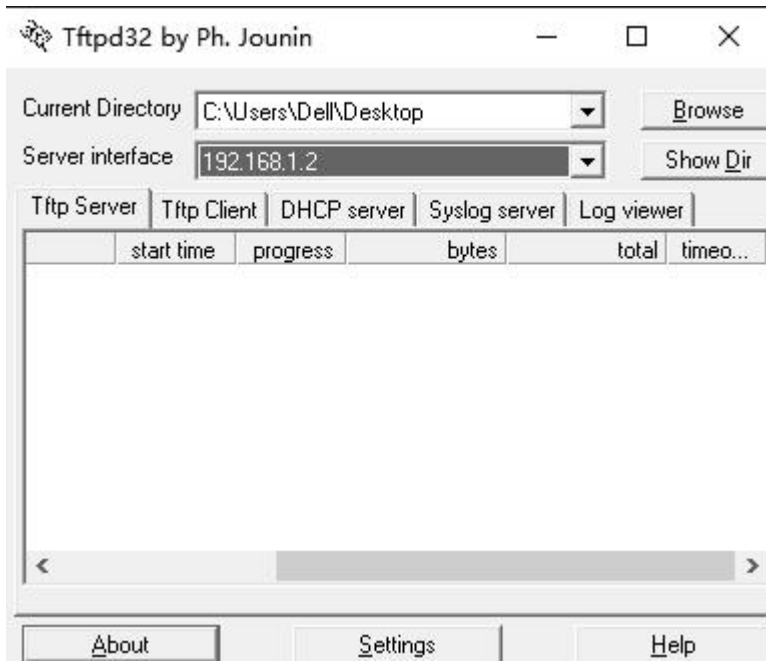
The web interface software upgrade needs to enter the CLI interface and open the switch configuration management port IPv4 address / Mask and HTTP Server.

```

S3700-24T4F#config
S3700-24T4F_config#ip http server
S3700-24T4F_config#interface vlan 1
S3700-24T4F_config_v1#ip add 192.168.1.1 255.255.255.0
  
```

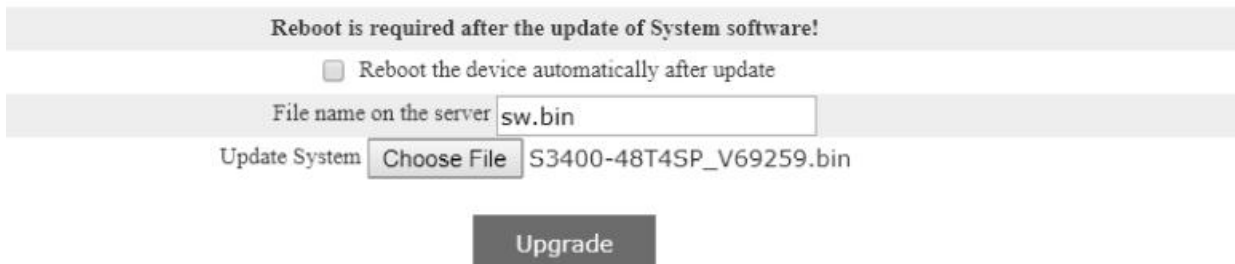
#### 2.2 Log in WEB Interface

# Configure the IP of the PC and the IP of the switch as the same network segment, enter the IP address of the management interface in the URL of the browser: **192.168.1.1**. At this time, enter the default username and password **admin/admin**.



### 2.3 Upgrade System File in WEB Interface

Enter the WEB Interface of the switch, click on System Management>System Software>Choose File, and click Upgrade. After completing upgrade, restart the device.





**Note:**

Select the file which needs to be upgraded on TFTP. Don't close the upgrade page or power down the device during the upgrade.

**2.4 Check the System Version in the WEB Interface of the Device**

BIOS Version	0.5.0
Firmware Version	2.2.0C Build 69259
Serial No.	CG1906060099N0035
MAC Address	64:9D:99:20:8F:F1
IP Address	192.168.1.1
Current Time	1970-1-1 0:3:50
Uptime	0 Day -0 Hour -3 Minute -50 Second
CPU Usage	28%
Memory Usage	30%

