

FS-PDUBK

VERTICAL PDU MOUNTING BRACKETS (2PCS)

Quick Start Guide **V1.0**

Accessories



12X

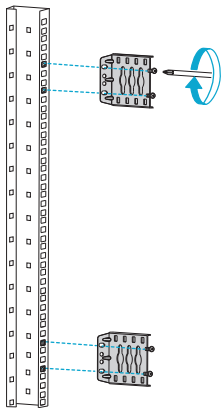
Optional (Not Included)



1X

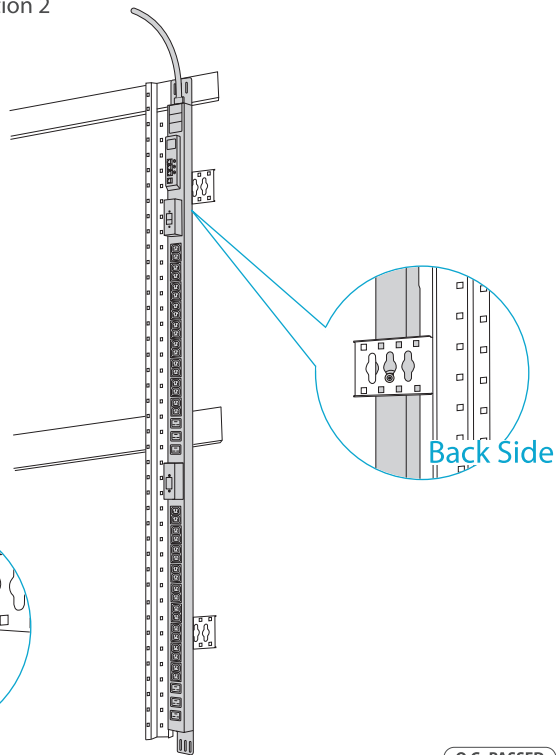
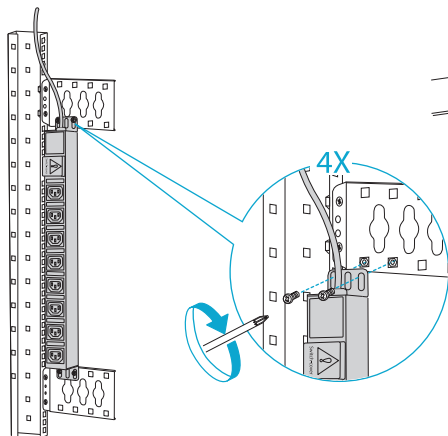
Option 2

1



2

Option 1



Q.C. PASSED

Copyright © 2019 FS.COM All Rights Reserved.