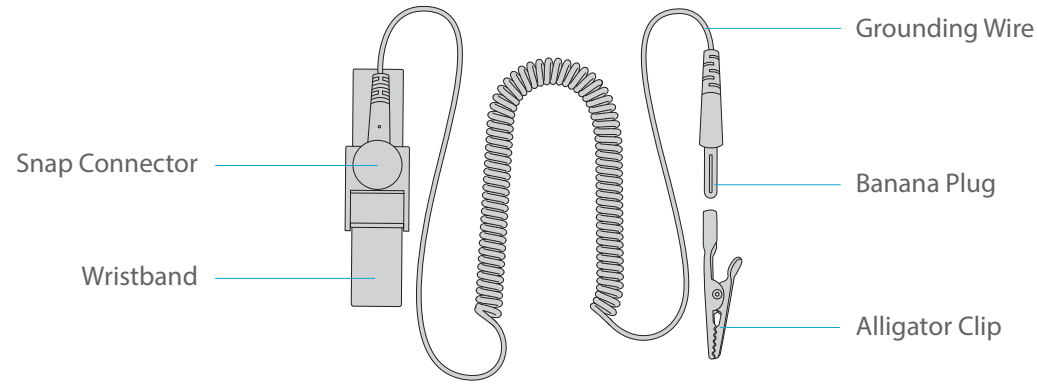


1

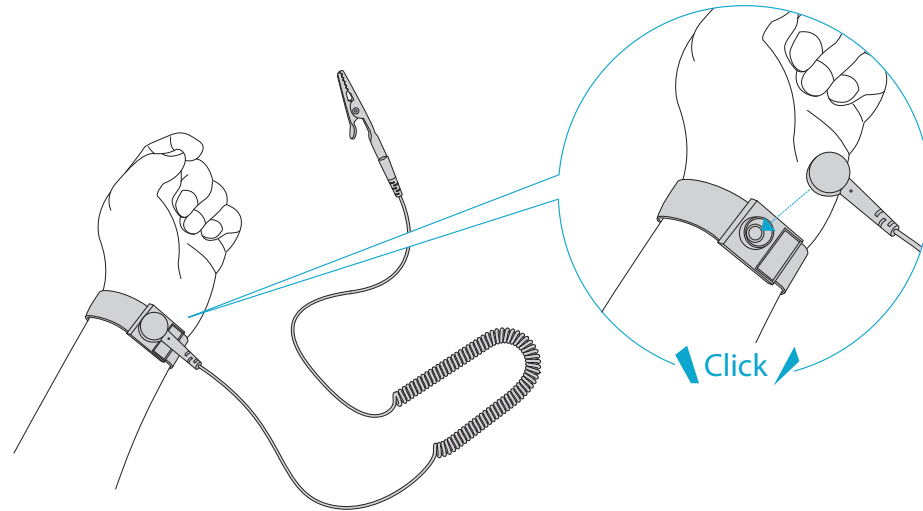
Product View



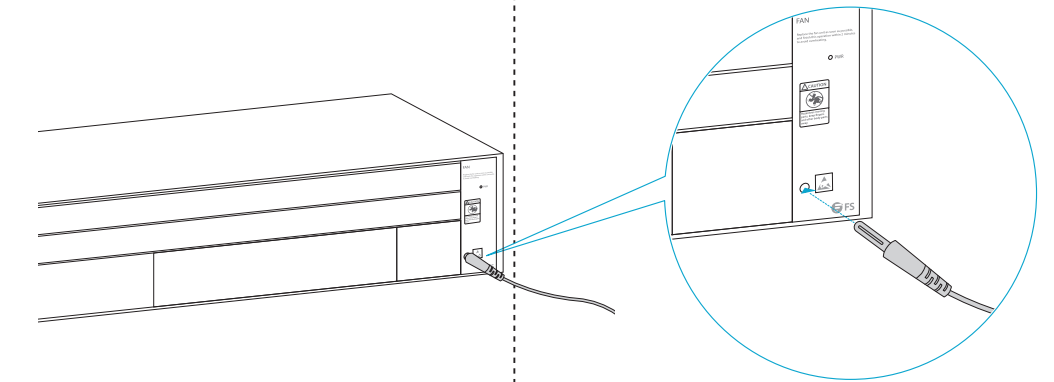
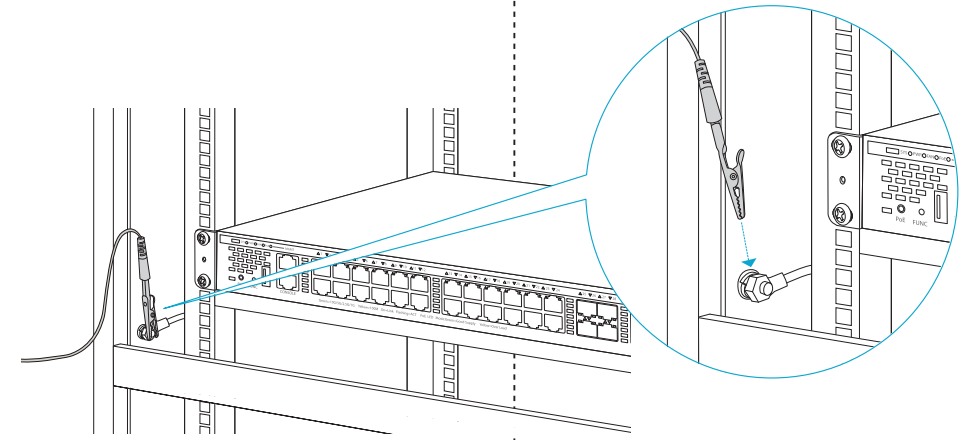
NOTE: The alligator clip is detachable.

2

Installation



1. Wear the wristband and keep it close to your skin.
2. Connect the snap connector to the wristband tightly.



3. Clip the grounding wire to the unpainted metal part that is electrically grounded or plug into the ground point.

ESD ANTI STATIC NYLON WRIST STRAP BAND WITH GROUNDING WIRE

Quick Start Guide V1.0

Q.C. PASSED

Copyright © 2020 FS.COM All Rights Reserved.