



FS-BOX FIRMWARE UPGRADE TOOL KIT

• Product ID: 75866

1

Safety Information



Handle with care



Caution against moisture



Do not disassemble or modify the device

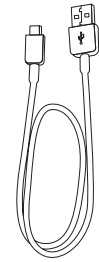
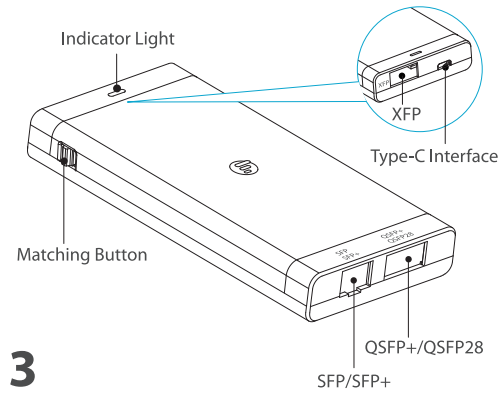


Do not place the device in locations subject to high temperature



2

Accessories Introduction

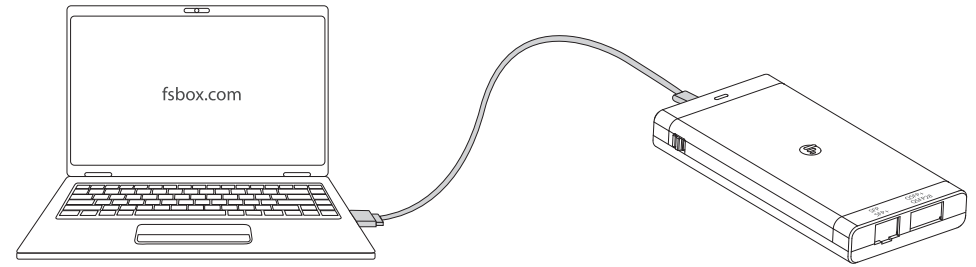


1x

3

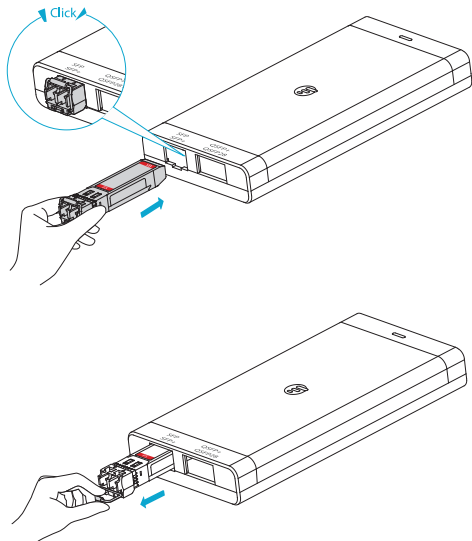
Operation Instruction:

- 1 Go to fsbox.com
- 2 Connect FS Box to computer via USB cable
- 3 Insert transceiver or cable
- 4 Start coding

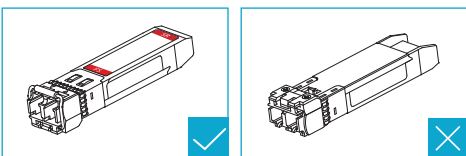


4

SFP/SFP+

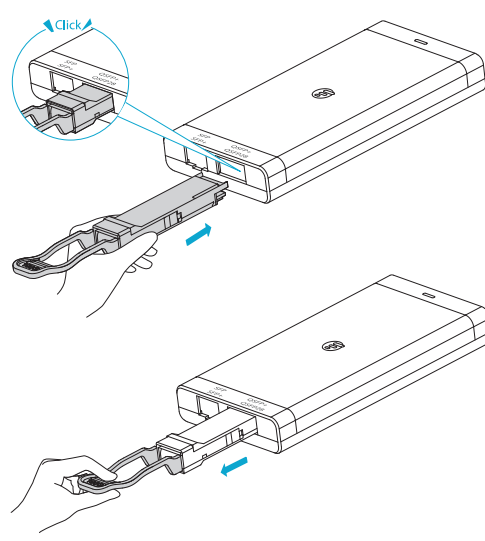


NOTE: When inserting the module, the label needs to face up.

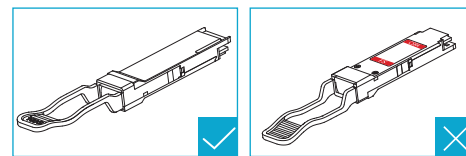


5

QSFP+/QSFP28



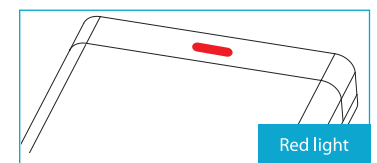
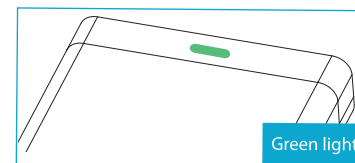
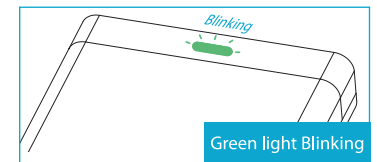
NOTE: When inserting the module, the label needs to face down.



6

Indicator Light

- Reading/In Coding
- Reading/Coding Succeeded
- Reading/Coding Failed



7

Specifications

| | | | |
|-----------------------------|--------------------------------|------------------------|---------------------------|
| Size | 145x72x20.6mm | Weight | 220g |
| Case Material | Aluminium Alloy | Input Voltage | 5V |
| Operating Temperature | -10°C to 60°C | Supported Form Factors | SFP/SFP+/XFP/QSFP+/QSFP28 |
| Supported Operating Systems | Microsoft Windows 10 and later | Interface | USB Type-C |
| Supported Browsers | Chrome (68 and later) | | |