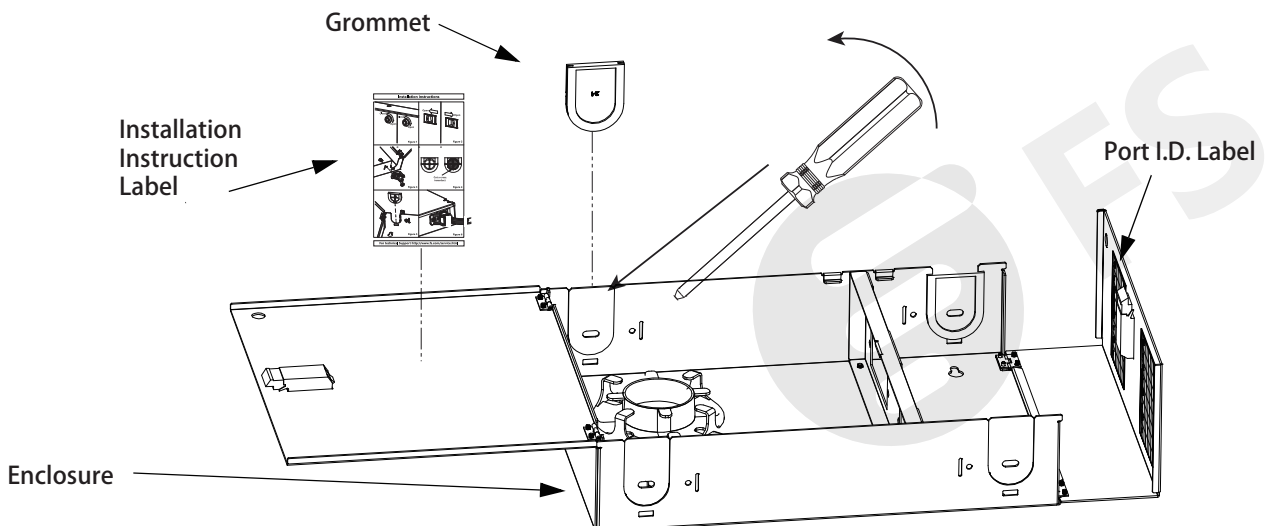
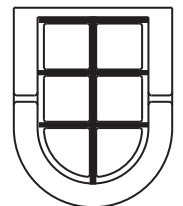


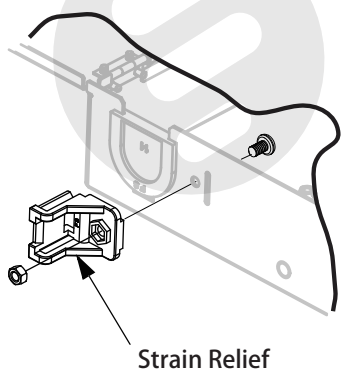
<p>Contents: Parts included with all enclosures:</p> <ul style="list-style-type: none"> 1 - ENCLOSURE 2 - CABLE ENTRY GROMMETS 4 - STRAIN RELIEF BRACKETS 2 - BLUE CABLE TIES 1 - FIBER CAUTION LABEL 4 - SLACK SPOOLS 8 - M4 HEX NUTS 4 - M4*8 CAP SCREW 4 - SILICONE PLUG 	<p>Additional parts included with FHD-FWME4, FHD-FWME8 enclosures:</p> <ul style="list-style-type: none"> 1 - INSTALLATION INSTRUCTION LABEL 2 - PORT I.D. LABELS 	<p>Additional parts included with FHD-FWME2 enclosures:</p> <ul style="list-style-type: none"> 1 - INSTALLATION INSTRUCTION LABEL 1 - PORT I.D. LABELS
---	---	--

Assembly Instructions:

1. Determine the cable entry location on the enclosure. Remove the knockout by inserting a screwdriver into the slot located in the center of the knockout and applying a twisting motion from the inside of the enclosure twisting out. Insert grommet following proper cutting diagram. Apply Installation Instruction Label on the inside of the larger door in a clearly visible location. Apply Port I.D. Label(s) on the inside of the small door (as shown).

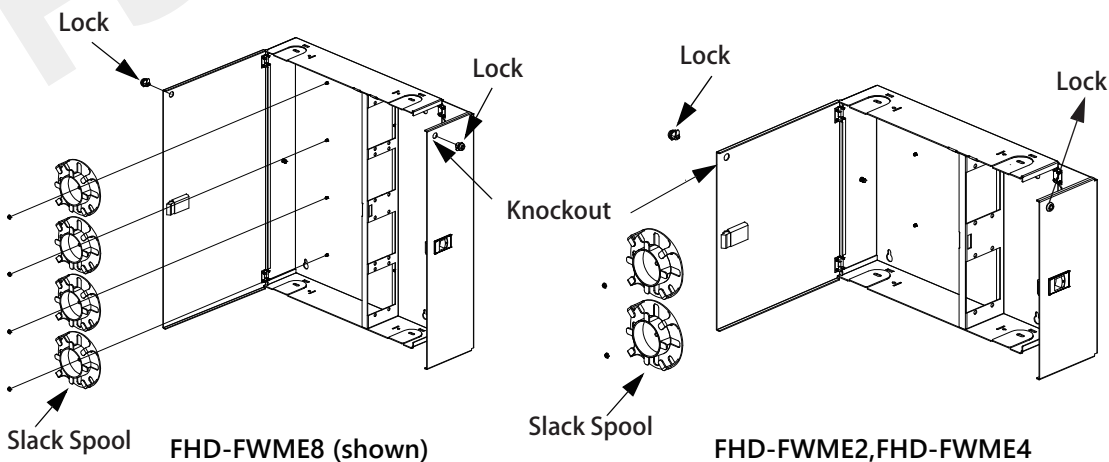


2. Install strain relief in slot next to grommet with the M4*8 screw and M4 hex nut provided.

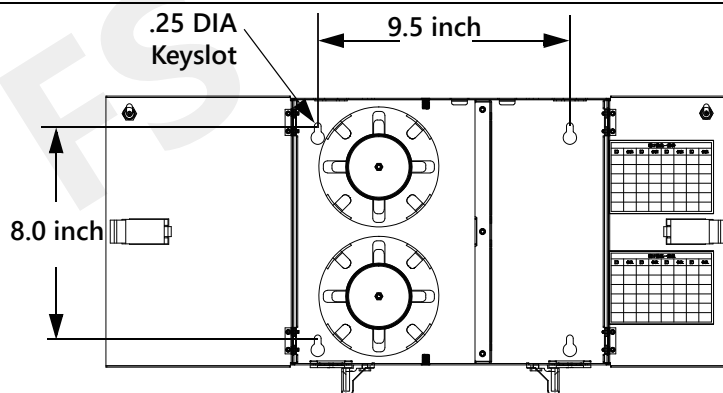


Optional Accessories

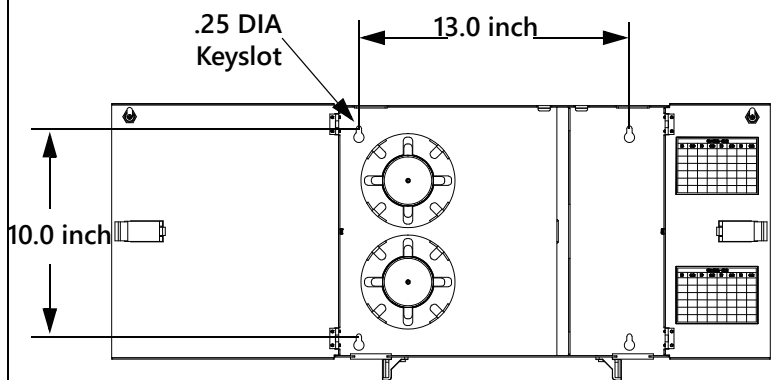
- 3a. Locks: Lock
Remove appropriate knockout in door to install lock.
- 3b. Slack Spool: Install wire spools using existing M4 hex nuts.



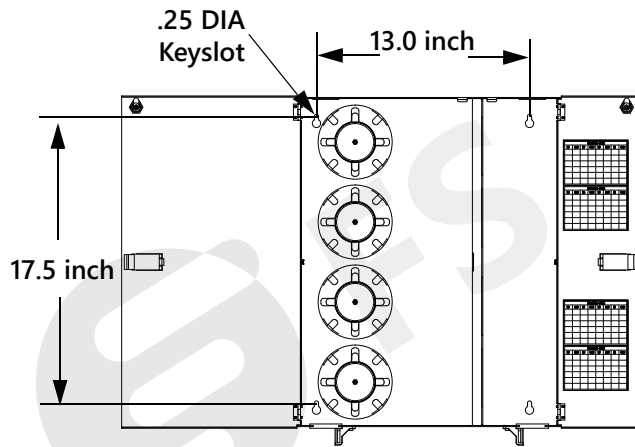
4. Mount enclosure to wall using the appropriate location guide on this page. Mounting hardware not provided.



FHD-FWME2
Location Guide



FHD-FWME4
Location Guide



FHD-FWME8
Location Guide