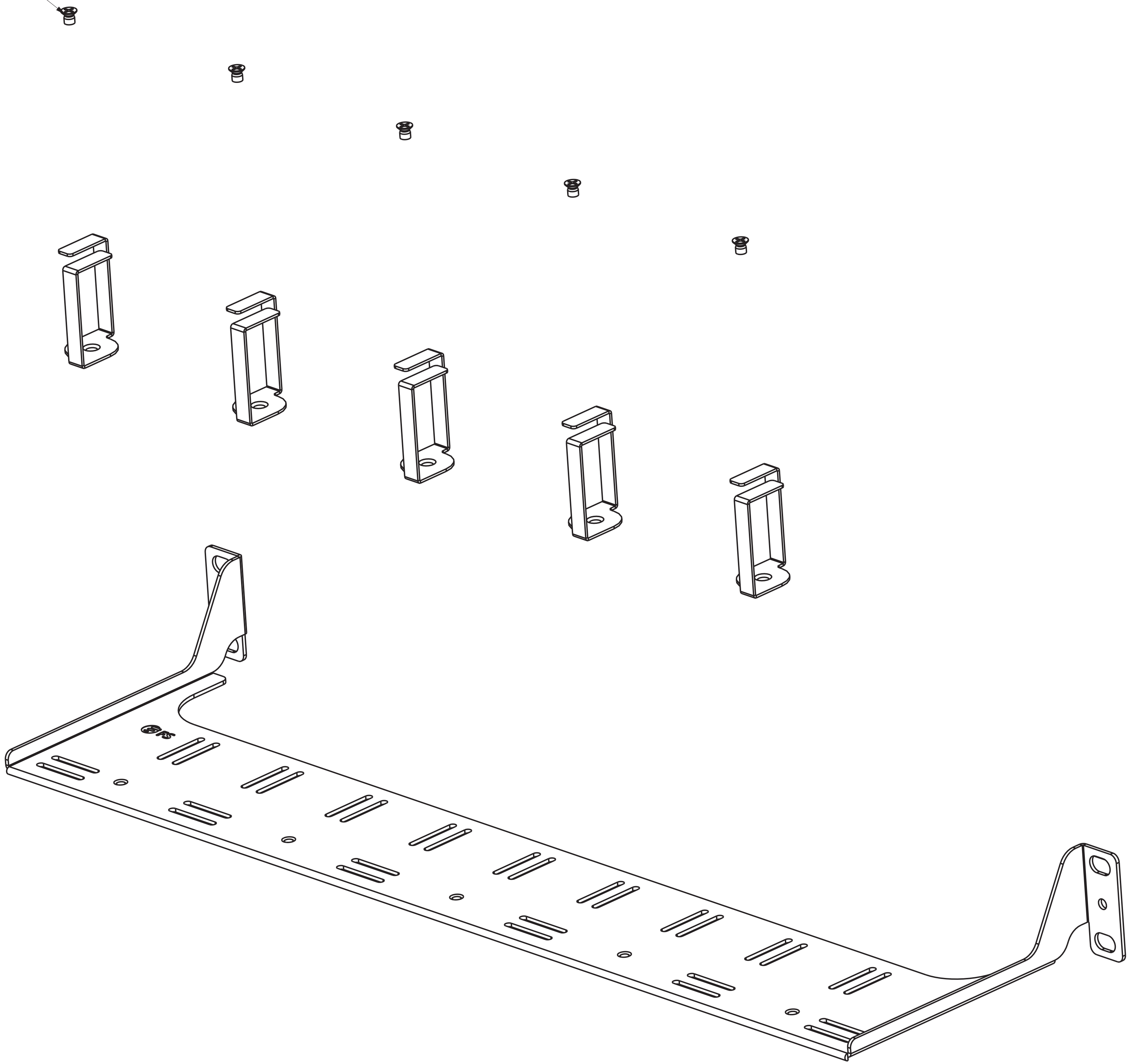



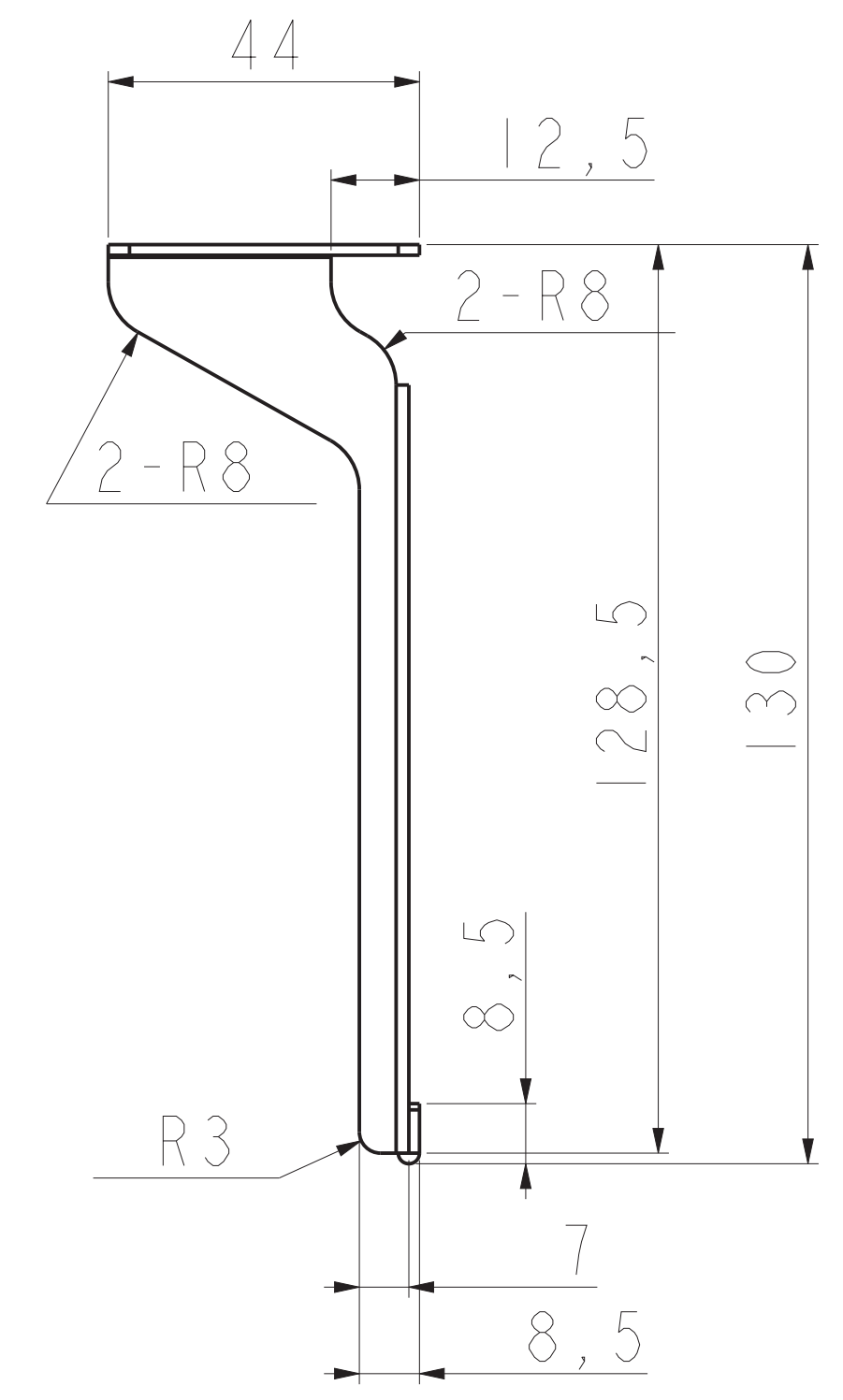
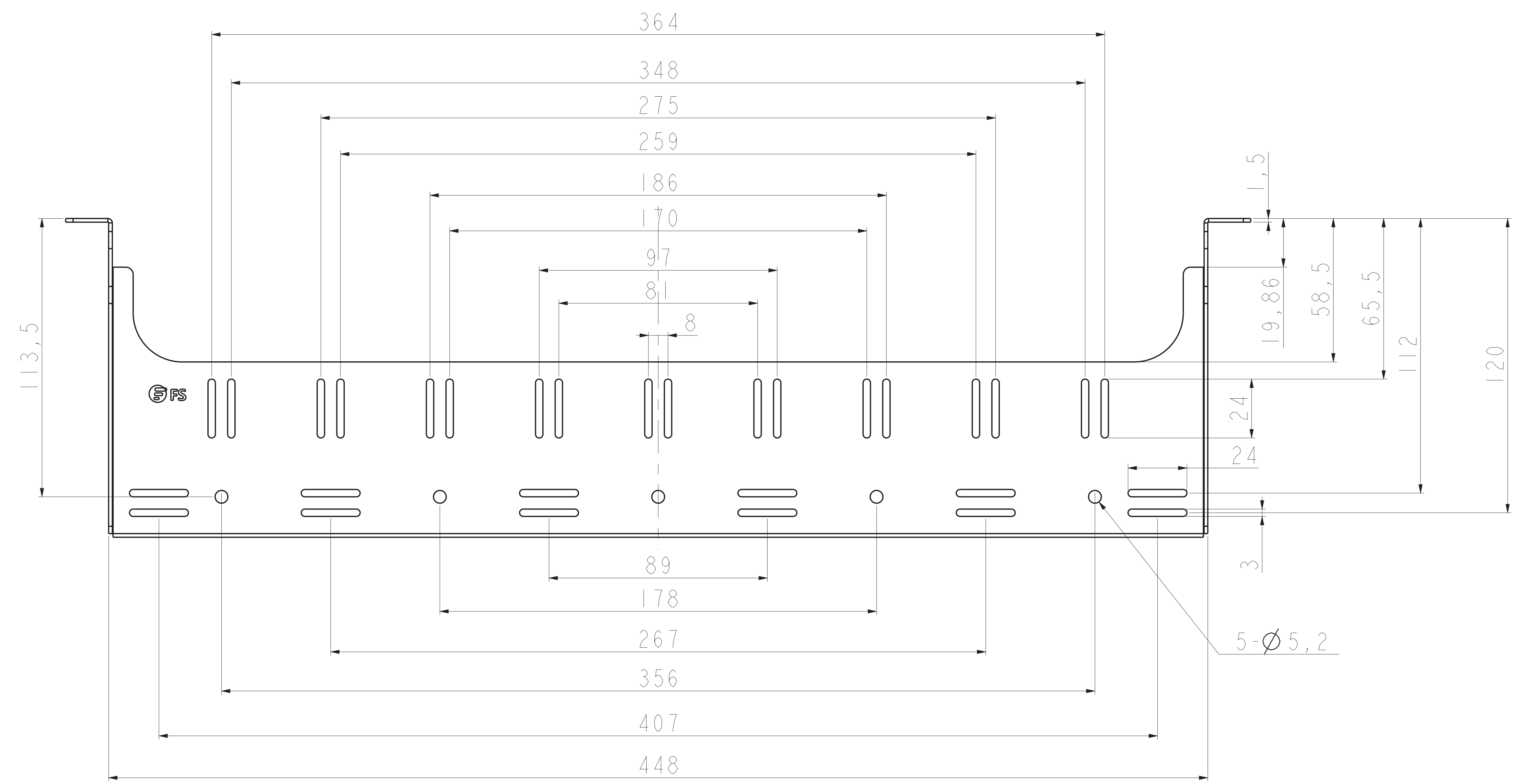
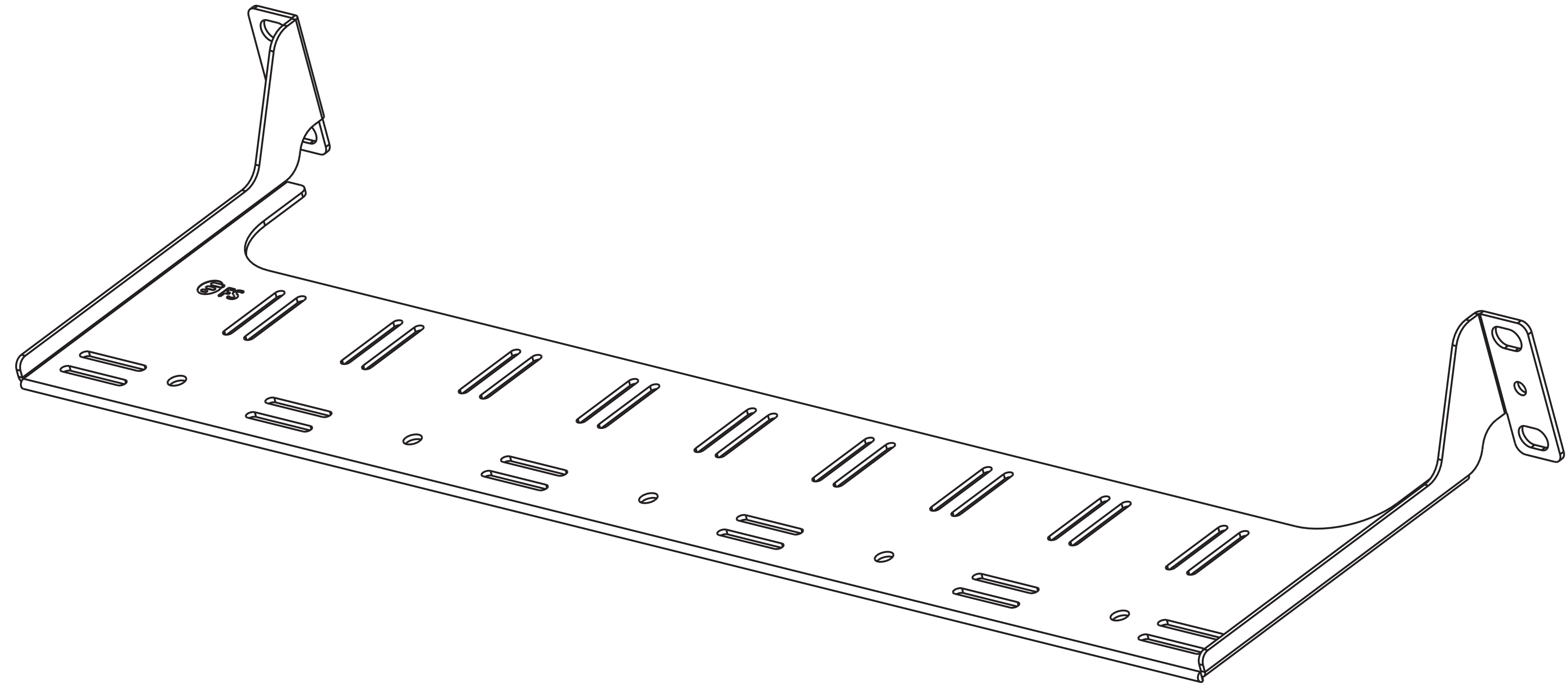
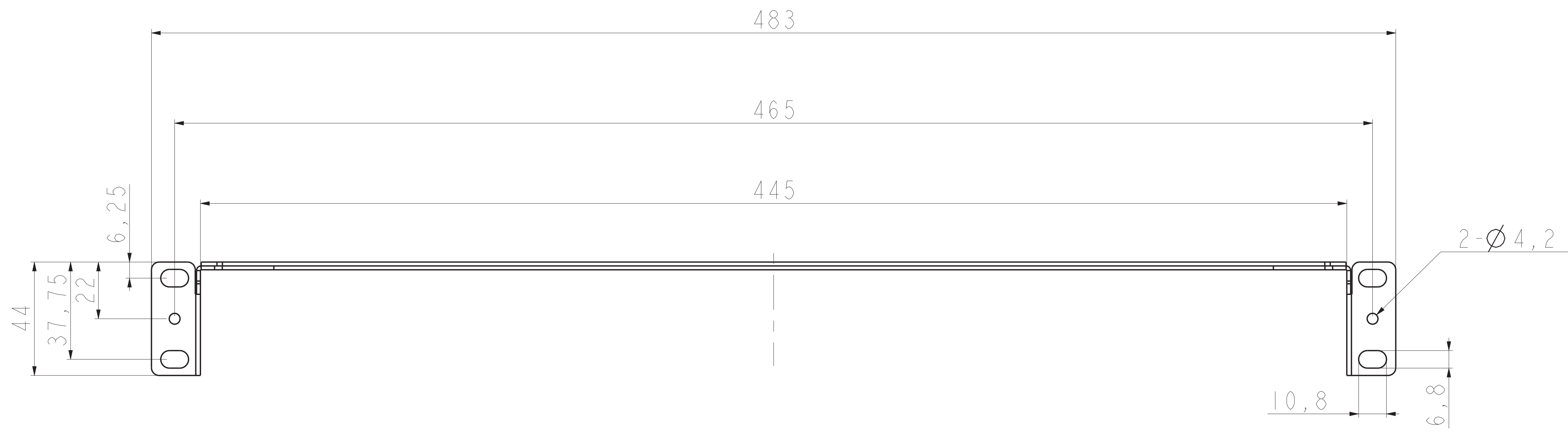
A0	FS P/N	Rack Space
	FHD-1U-CMP100	1U


5-M4*5 Screw



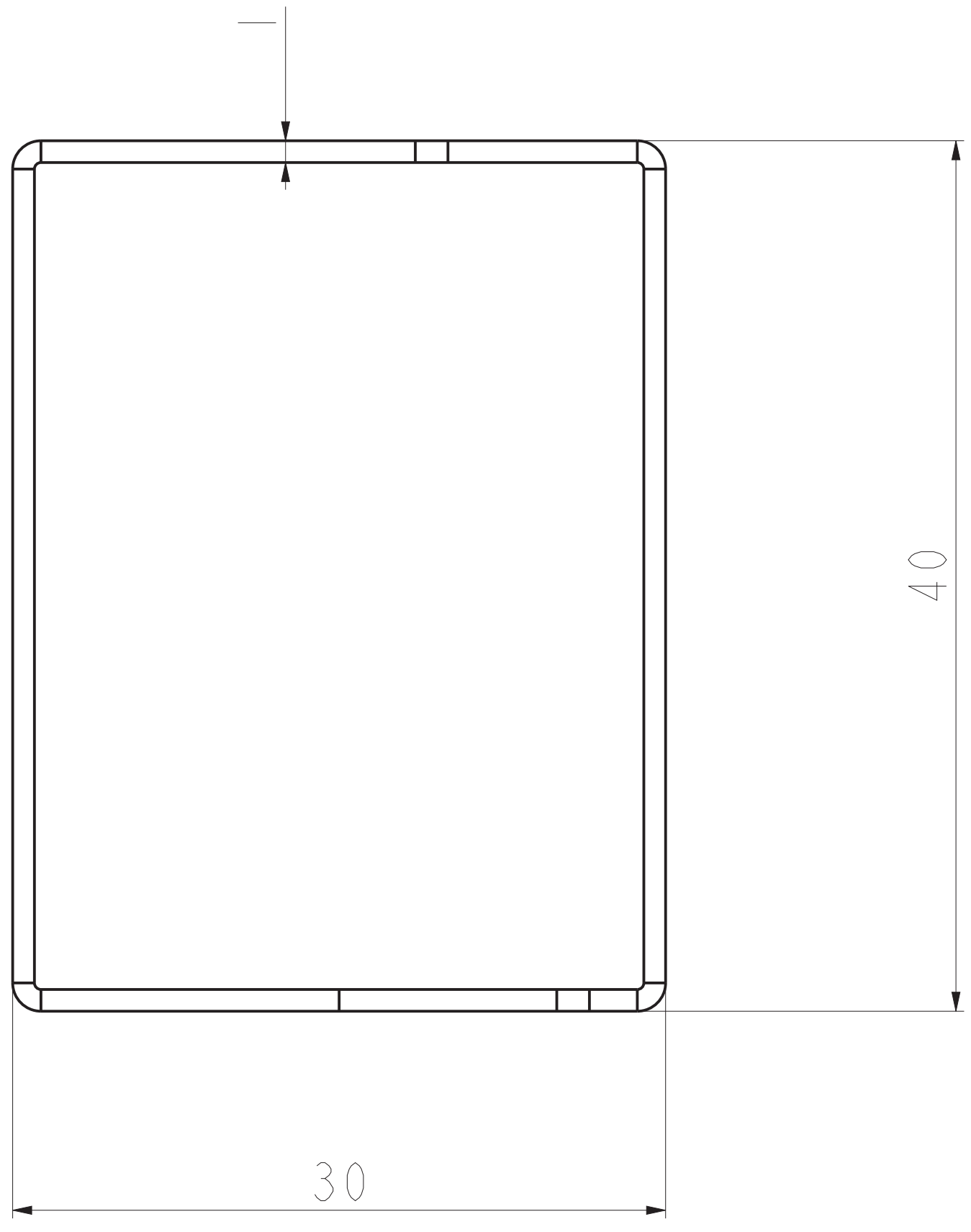
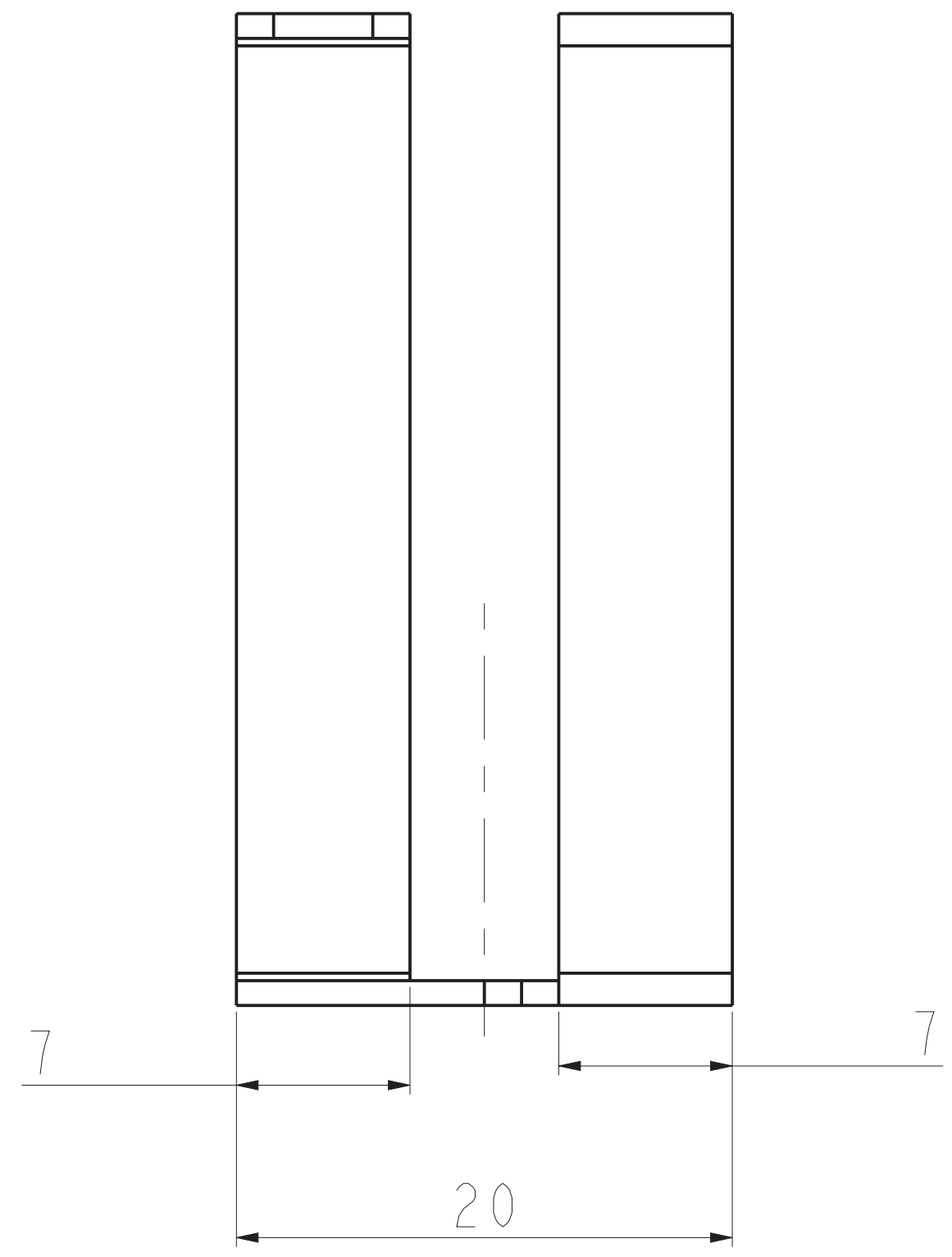
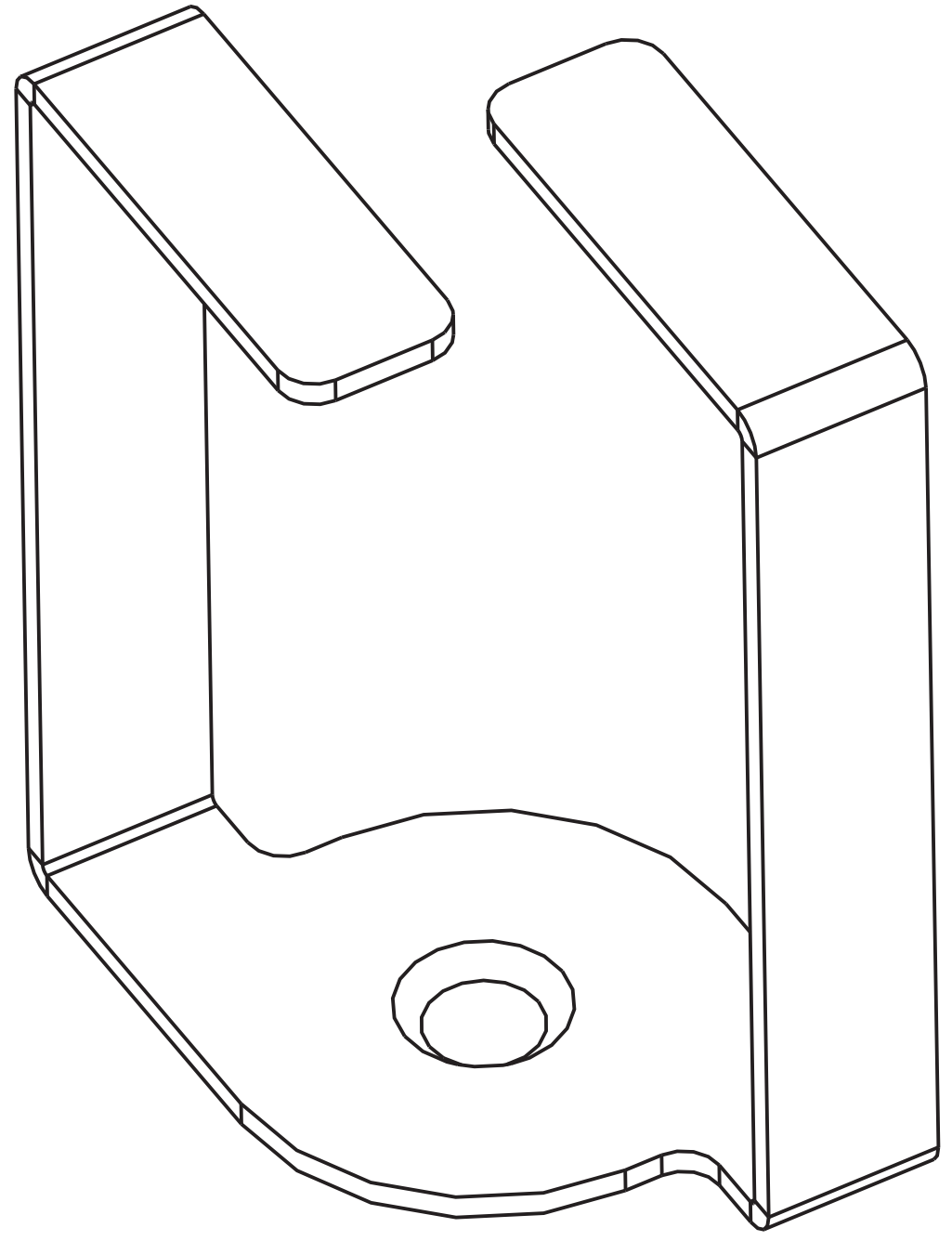
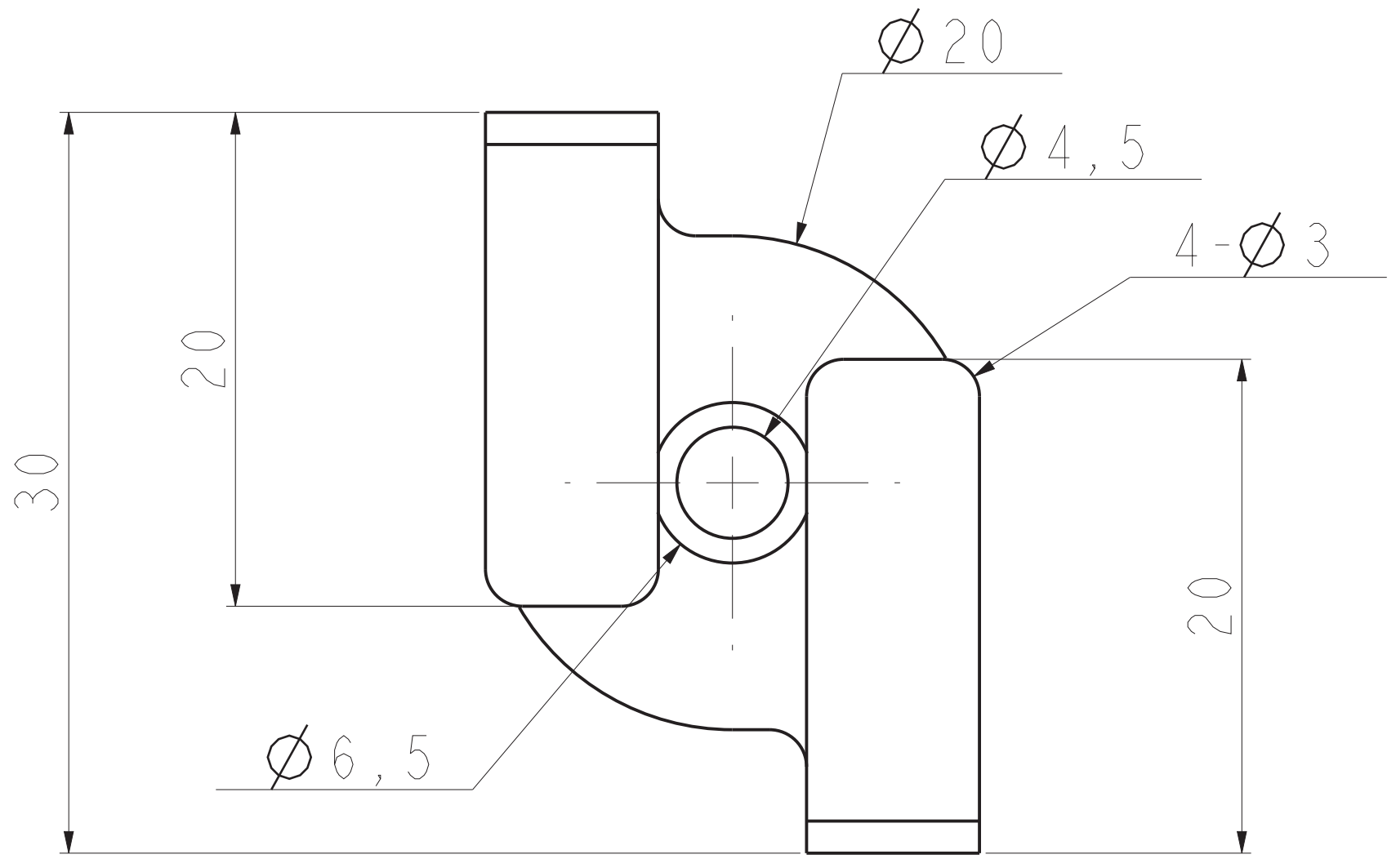
	Content	Note	Detachable Horizontal Manager			
Material						
Color						Explosion diagram
Thickness						
	Signee	Date	Version	Weight	Scale	D-LXJ-A
BY			A0		1.000	
CHK			SHT 1 of 3			
Authorized						


A0	FS P/N	Rack Space
	FHD-1U-CMP100	1U



	Content	Note	Detachable Horizontal Manager			
Material	Spcc					
Color	Black					
Thickness	1.5mm		Distribution frame			D-LXJ-A
	Signee	Date				
BY			A0		1.000	D-LXJ-A
CHK			SHT 2 of 3			
Authorized						

A0	FS P/N	Rack Space
	FHD-1U-CMP100	1U



	Content	Note	Detachable Horizontal Manager			
Material	Spcc					
Color	Black					Wire ring
Thickness	1.0mm					
	Signee	Date	Version	Weight	Scale	D-LXJ-A
BY			A0		1.000	
CHK			SHT 3 of 3			
Authorized						