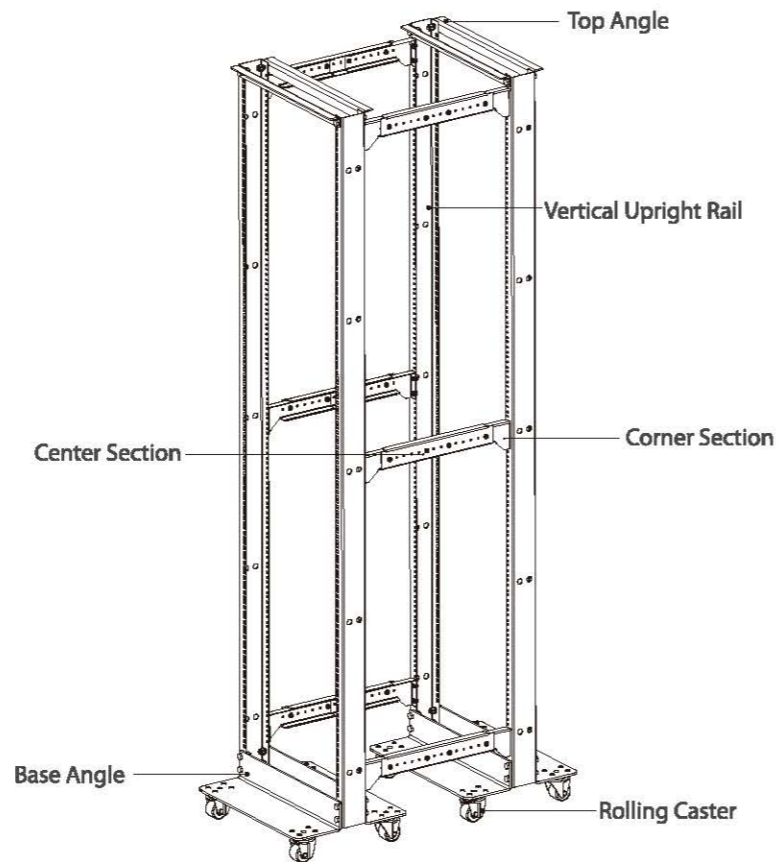


1

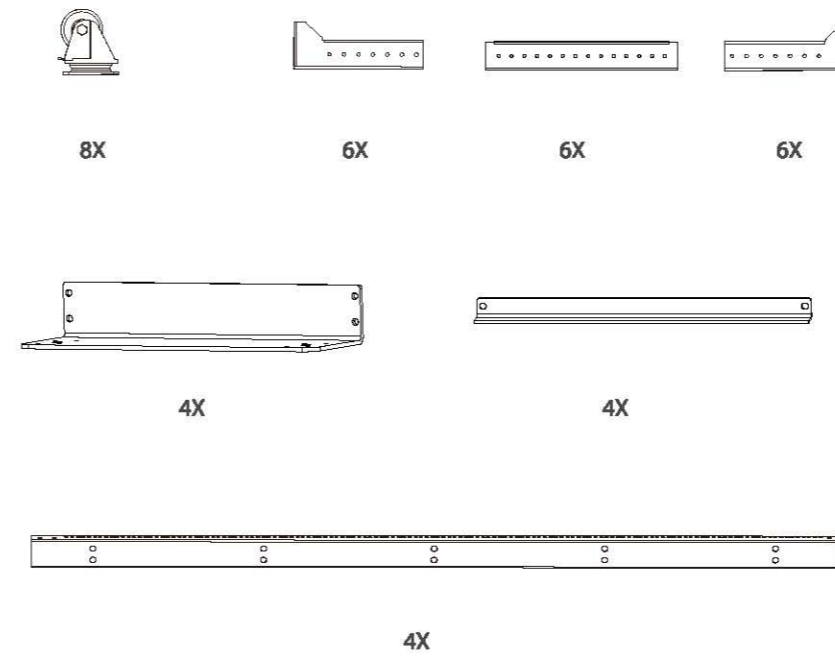
Assembly View

GF4-Series-45U
45U Open Frame Rack
 • Product ID: 70771

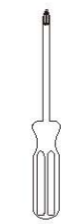


2

Rack Components

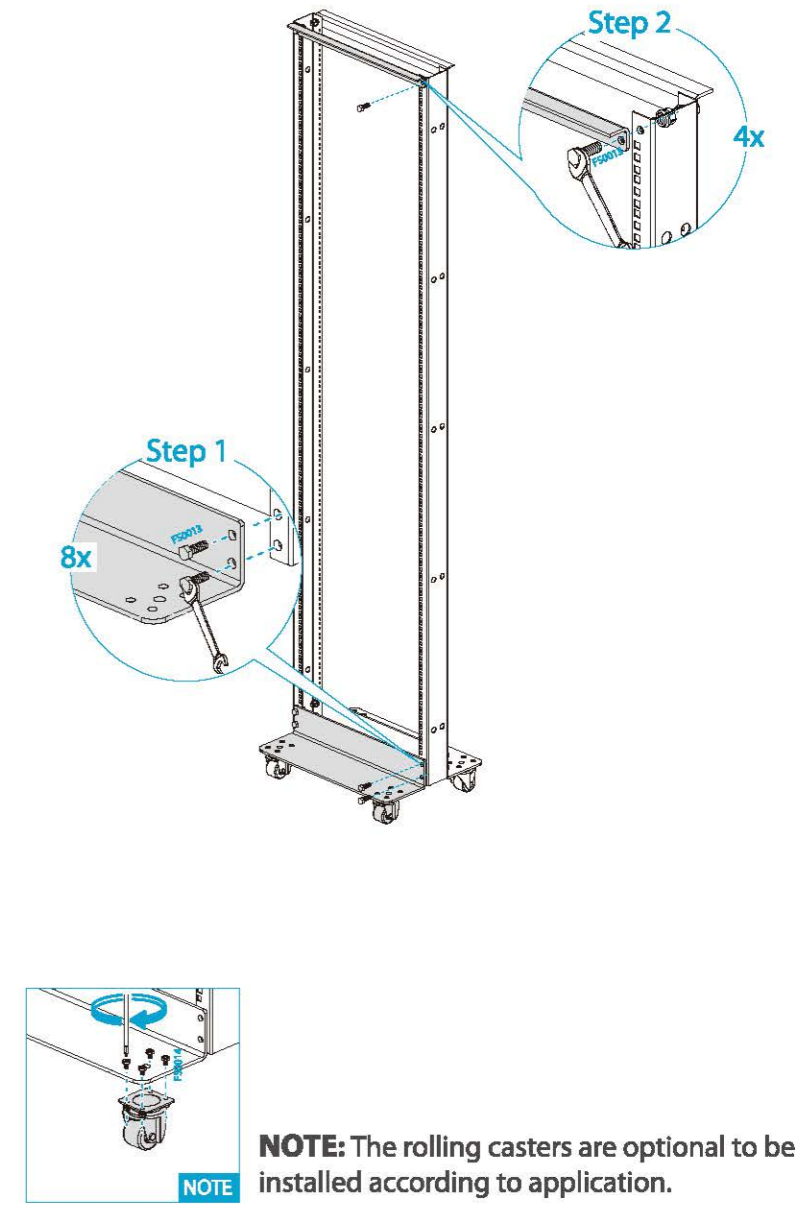


Accessories

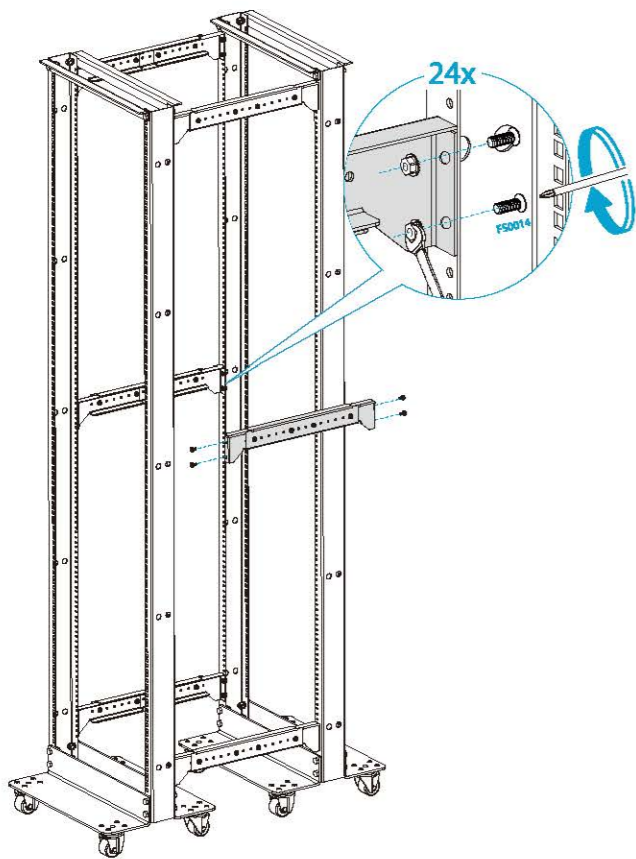


Optional (Not Included)

3

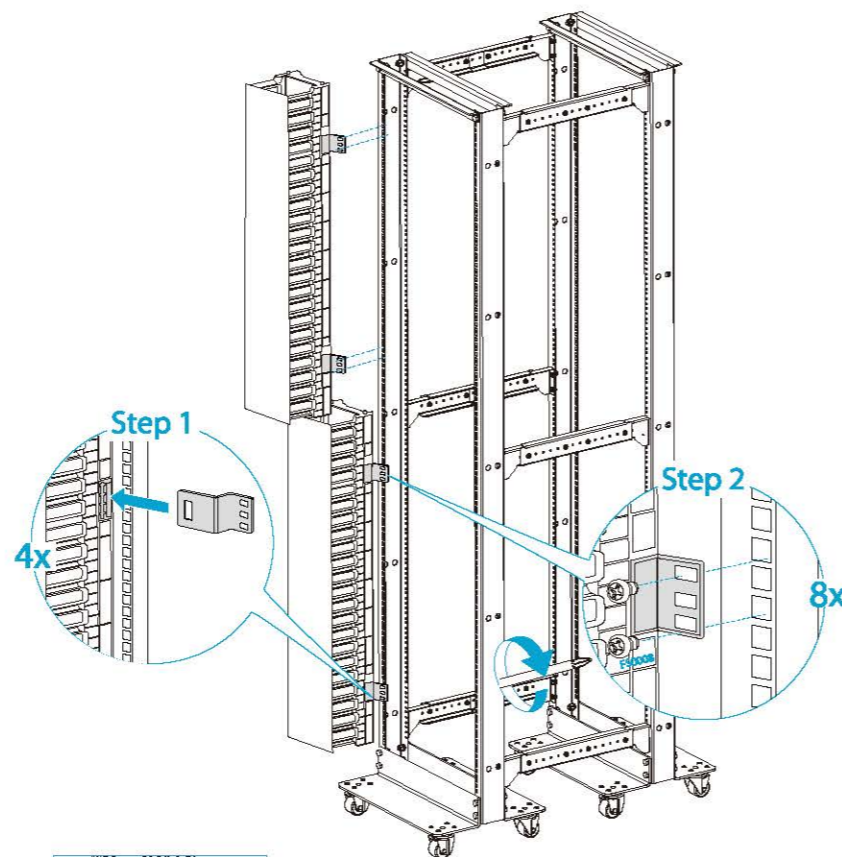


4



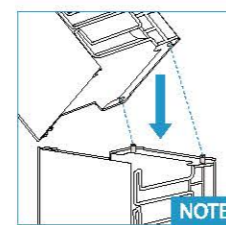
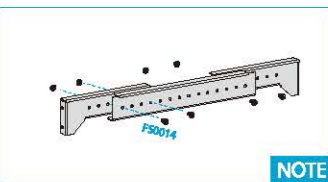
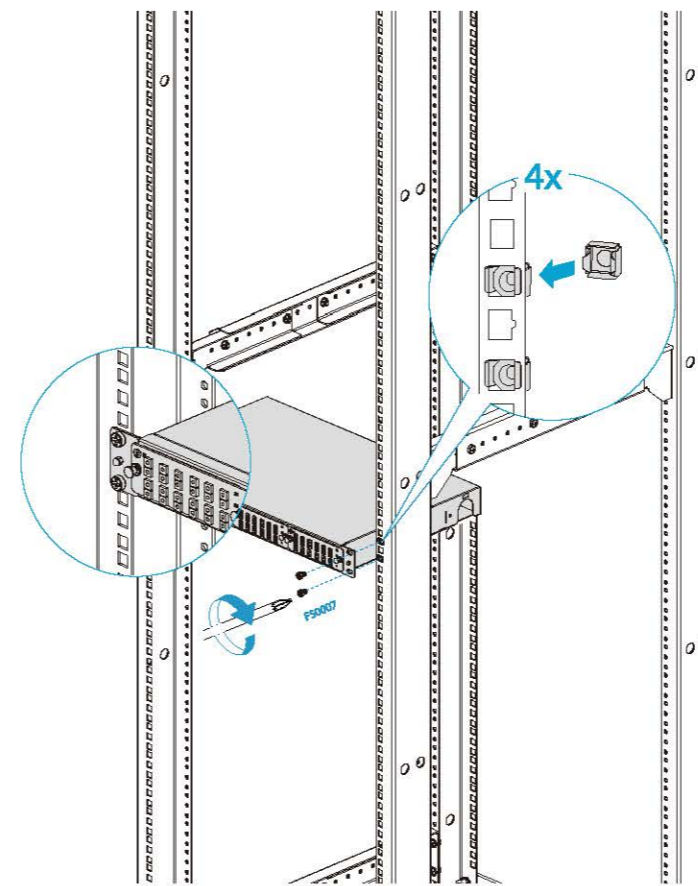
5

Vertical Cable Management Mounting



6

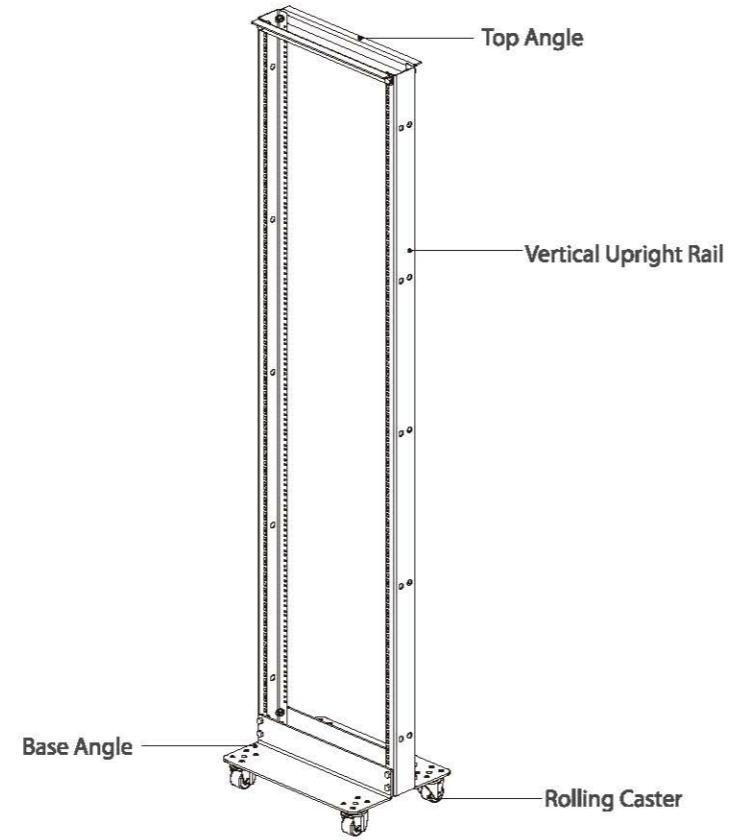
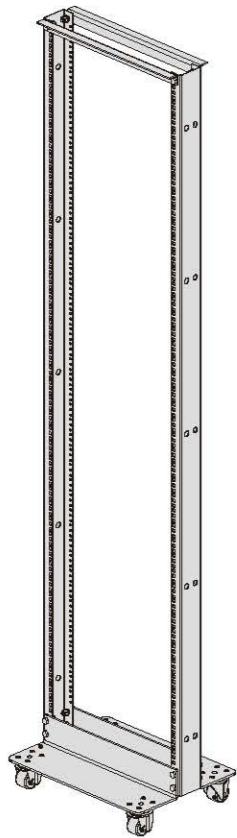
Equipment Mounting



1

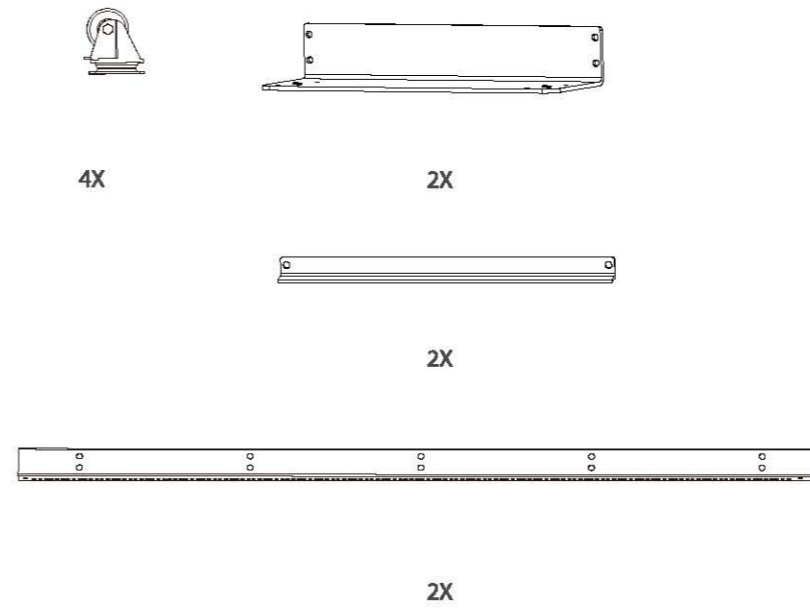
Assembly View

GF2-Series-45U
45U Open Frame Rack
 • Product ID: 70993

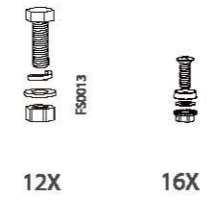


2

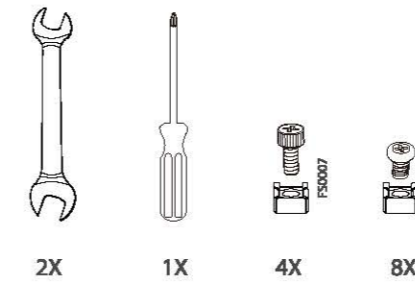
Rack Components



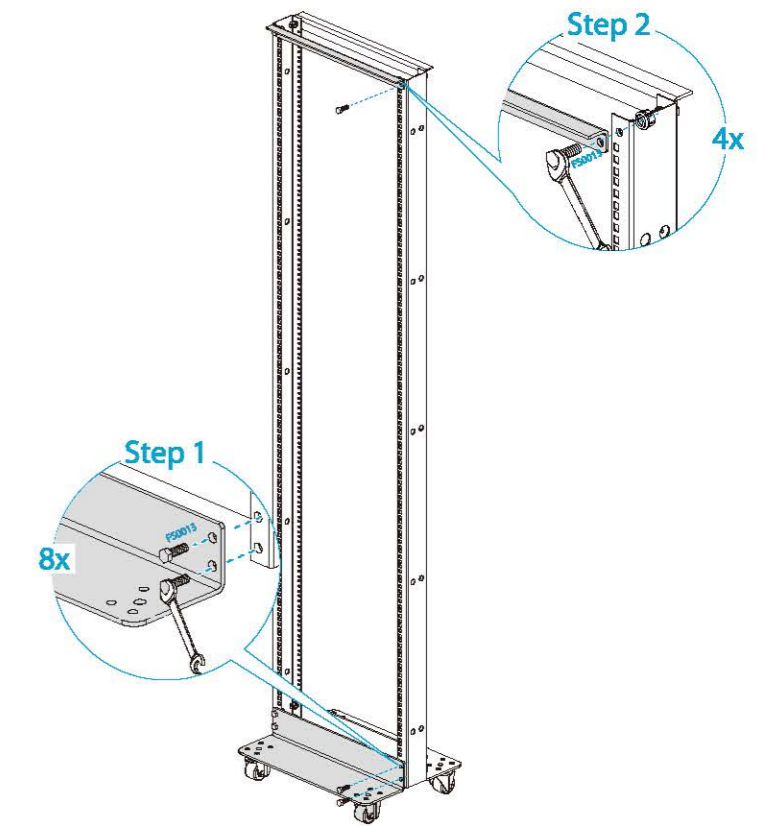
Accessories



Optional (Not Included)



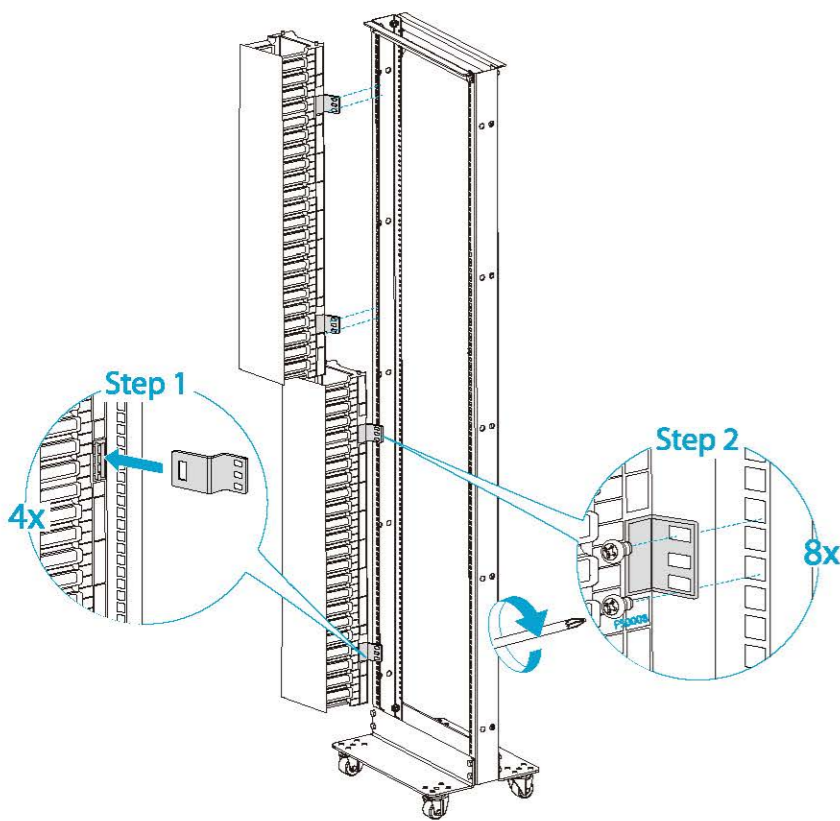
3



NOTE: The rolling casters are optional to be installed according to application.

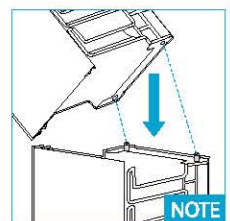
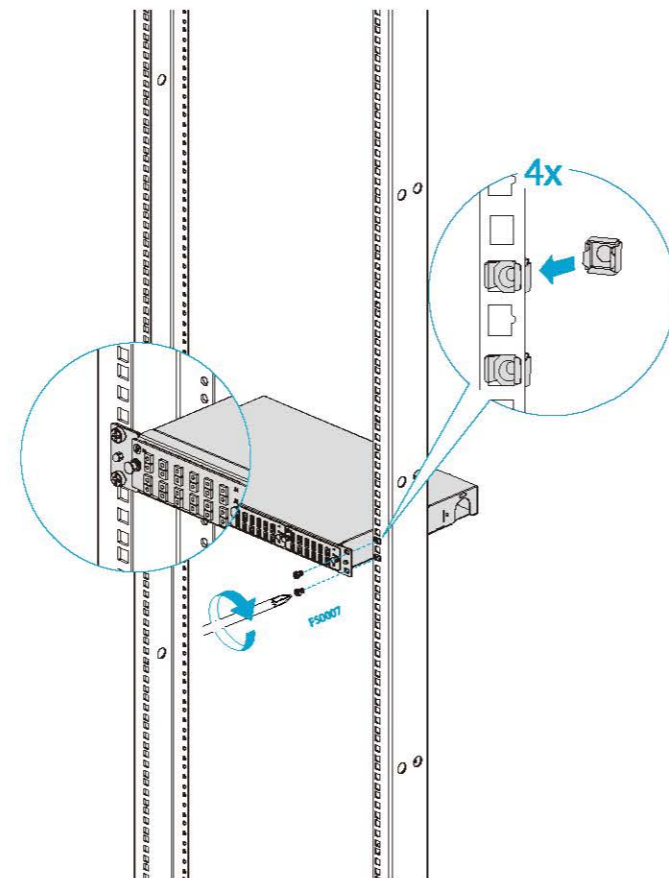
4

Vertical Cable Management Mounting



5

Equipment Mounting



NOTE: Assemble two 22.5U sections by aligning location pins