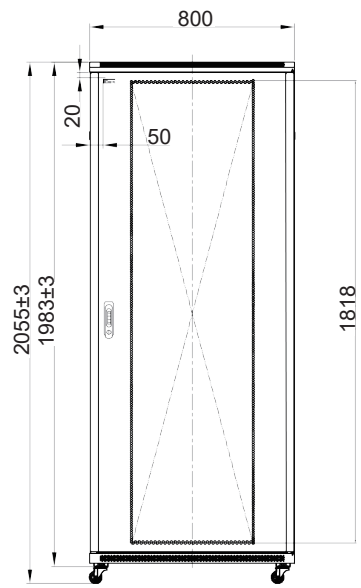
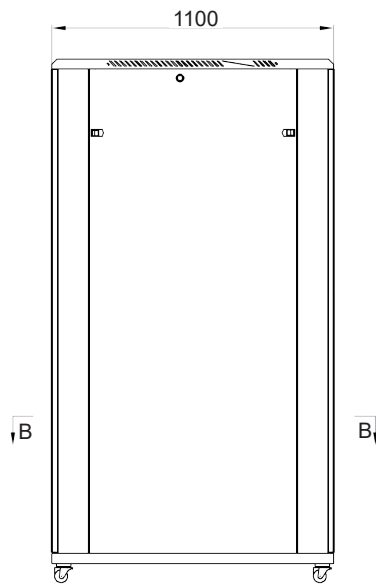


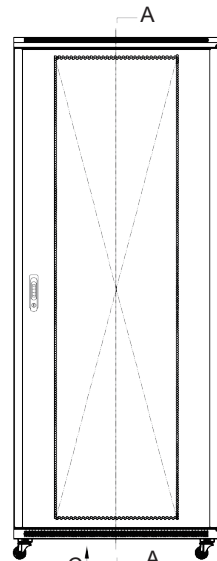
A3	Edition Contents	Change Time



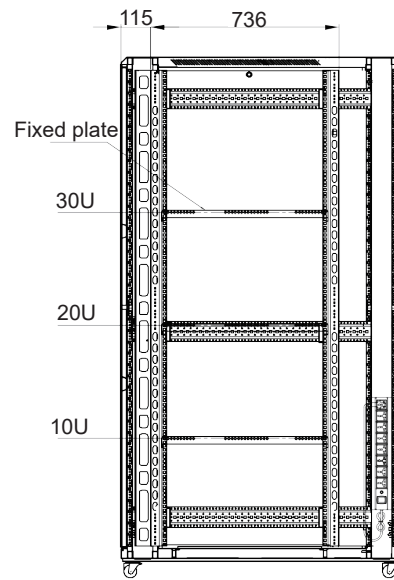
Front



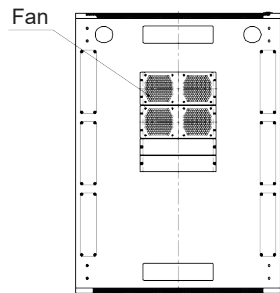
Cabinet side



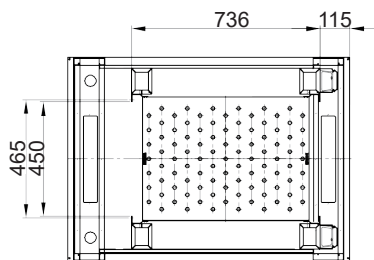
The back of the cabinet



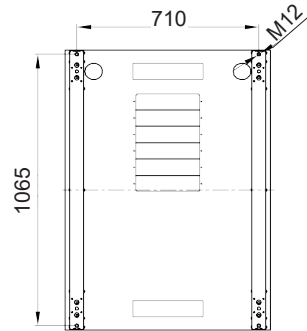
B-B (Section view)
Front Back



Top



B-B (Section view)



C(Bottom)

General Dimensions Tolerance(mm)

Dimensional Tolerance	0~20	20~50	50~100	100~200	200~400	>400
	±0.1	±0.2	±0.3	±0.4	±0.5	±0.6

Content	Note	FS-BNC-42U		
Material	SPCC			
Color	BLACK			
Thickness		Cabinet		
Signee	Date			
BY		A3		0.200
CHK		SHT 1 OF 1		
Authorized				



Cabinet

42U Black Network Cabinet
800*1100mm