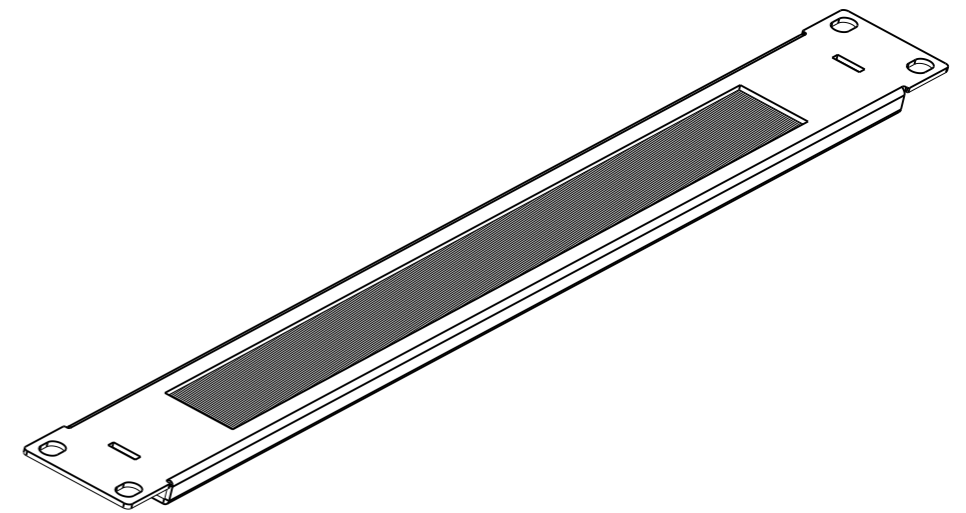
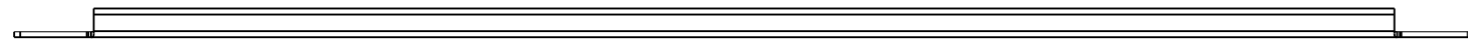
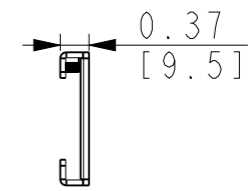
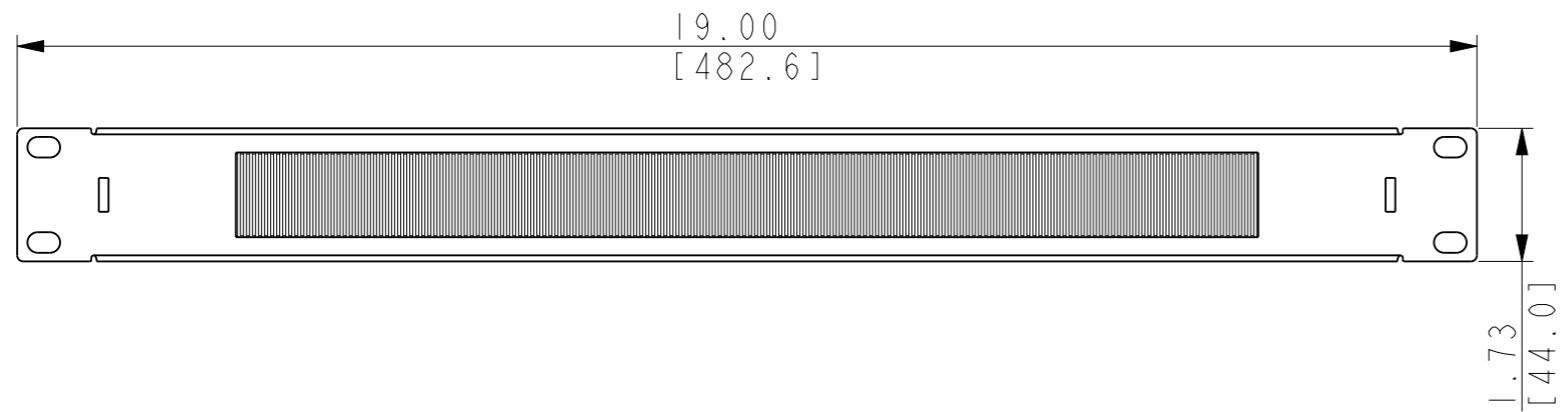

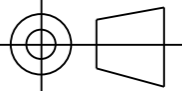


Versions	Release Content	Change Time	Duty Officer
V0	\	2019-04-23	Aaron



	Content	Remarks	CMH-B1U				
Materials	Spcc						
Colour	Black						
Thickness	1.8		Cable Management				CMH-B1U
	Signature	YTD					
			A3			2:5	
Design	Aaron		The Third Perspective 				CMH-B1U
Check	Pierce						
Approve	Rotk		SHT 1 OF 1				