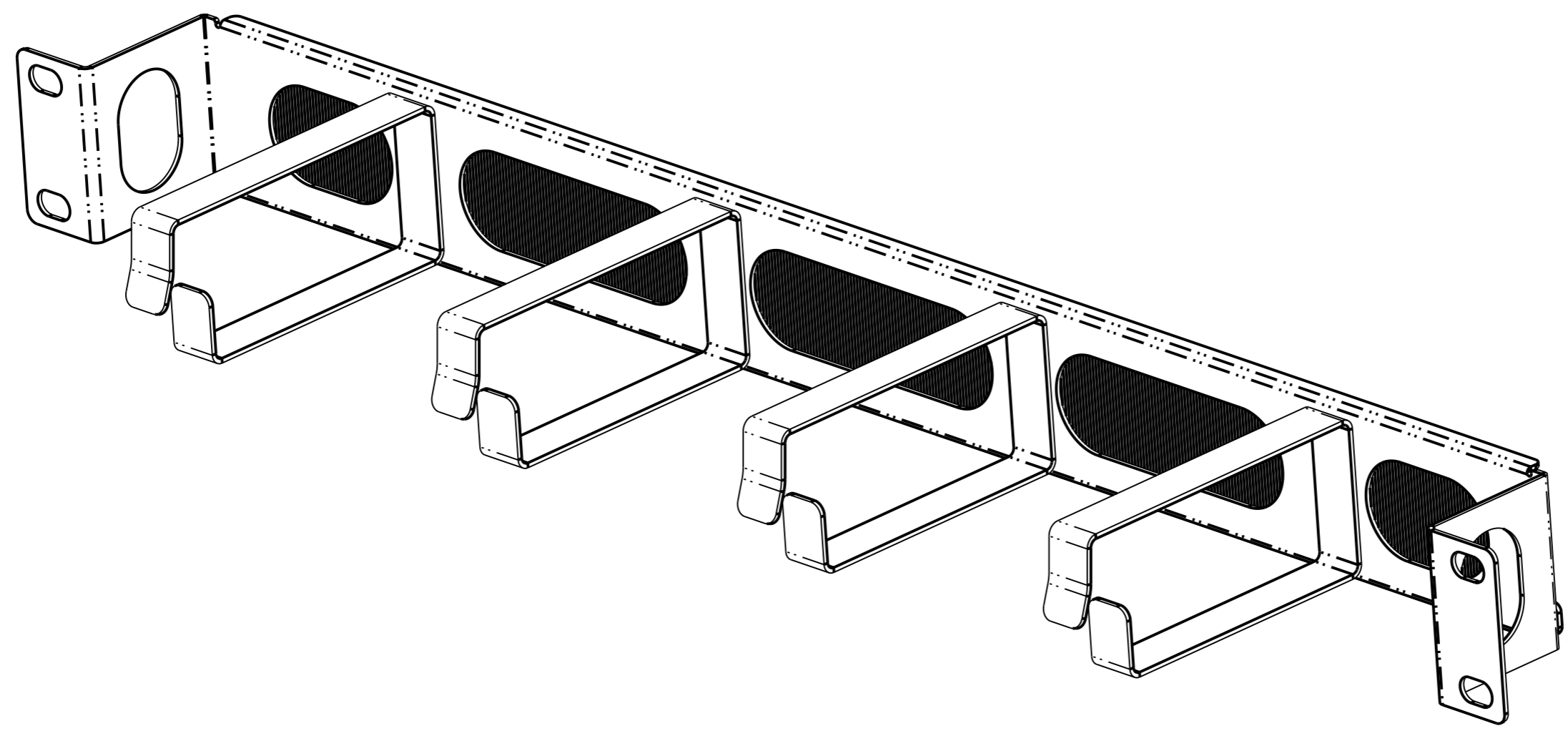

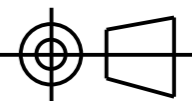
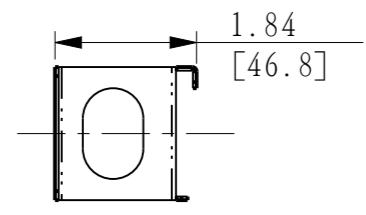
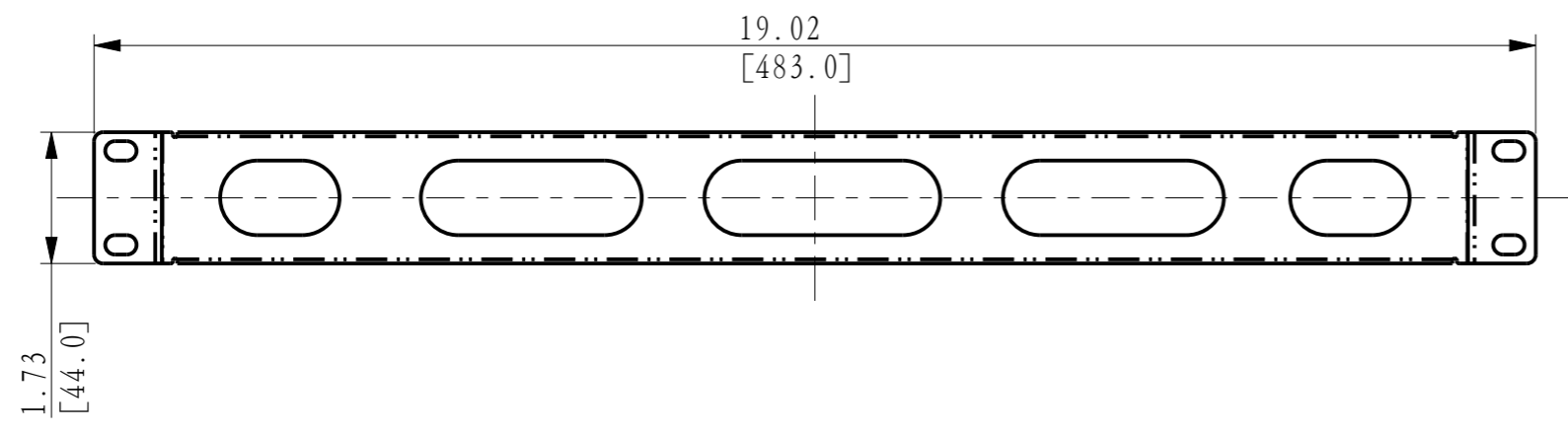
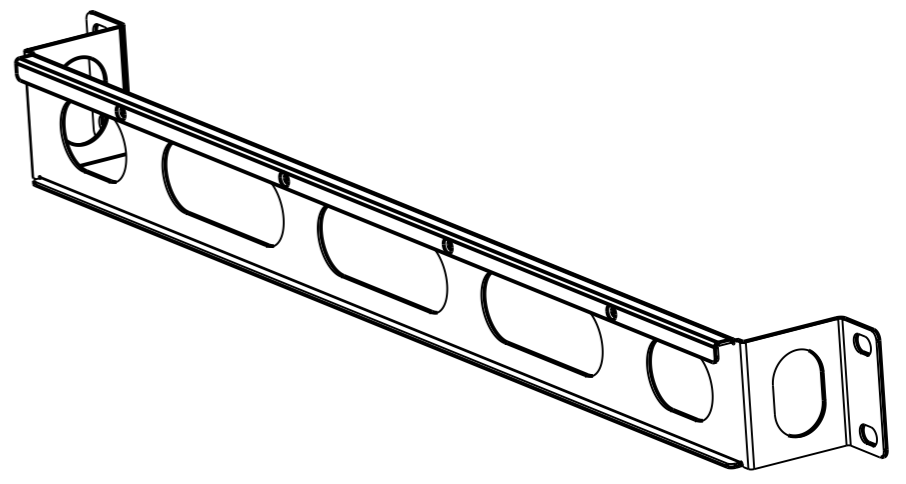
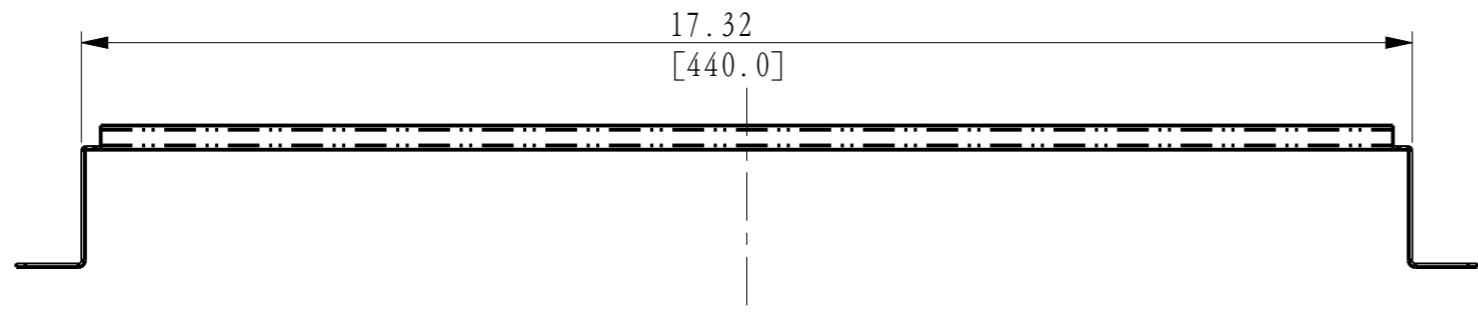



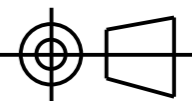
Versions	Release Content	Change Time	Duty Officer
V0	\	2019-04-23	Aaron



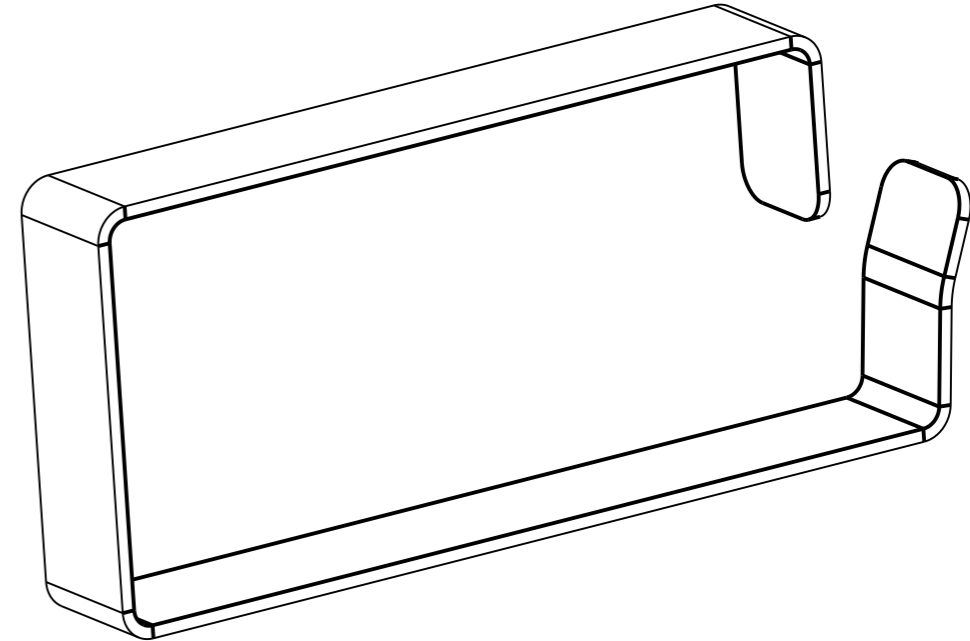
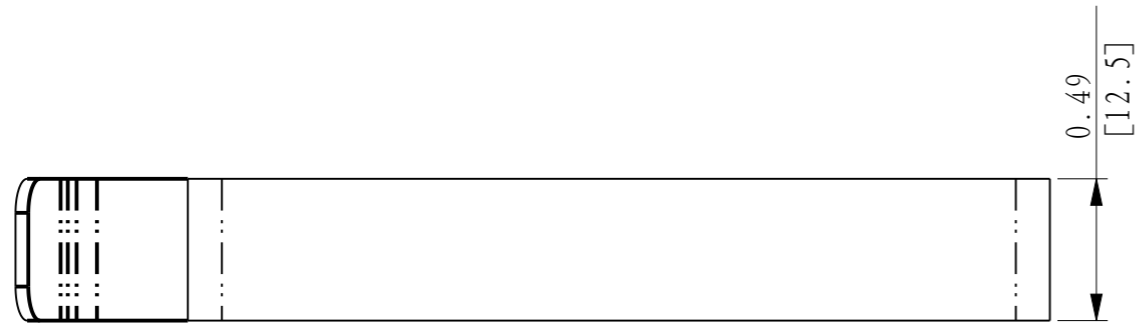
	Content	Remarks	1U-BS-CMP-4				
Materials							
Colour							
Thickness							
	Signature	YTD	Frame	Versions	Weight	Scale	Cable Management
			A3			4:5	
Design	Aaron		The Third Perspective 				
Check	Pierce						
Approve	Rotk		SHT 3 OF 1				


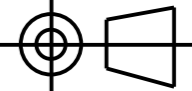
Versions	Release Content	Change Time	Duty Officer
V0	\	2019-04-23	Aaron



	Content	Remarks	1U-BS-CMP-4												
Materials	Spcc														
Colour	Black														
Thickness	1.2		<table border="1"> <thead> <tr> <th>Frame</th> <th>Versions</th> <th>Weight</th> <th>Scale</th> </tr> </thead> <tbody> <tr> <td>A3</td> <td></td> <td></td> <td>2:5</td> </tr> </tbody> </table>				Frame	Versions	Weight	Scale	A3			2:5	Cable Management
Frame	Versions	Weight					Scale								
A3			2:5												
Signature	YTD														
Design	Aaron		The Third Perspective 				Cable Manager Bkt								
Check	Pierce														
Approve	Rotk		SHT 3 OF 2												

Versions	Release Content	Change Time	Duty Officer
V0	\	2019-04-23	Aaron



	Content	Remarks	1U-BS-CMP-4				
Materials	Spcc						
Colour	Black						
Thickness	1.2						Cable Management
	Signature	YTD	Frame	Versions	Weight	Scale	
			A3			3:2	
Design	Aaron		The Third Perspective 				Cable Manager Finger
Check	Pierce						
Approve	Rotk		SHT 3 OF 3				