

1U 19" Horizontal Cable Manager Panel

Randomly assembled to meet your different cable management needs



1U Horizontal Cable Manager

FS detachable horizontal cable management panels provide multiple choices for your application by being separated into patch panel, plastic D-rings, lacer panel and lacer bar. The steel lacer panel contains 4 pass-through holes on the 1U for easy to install FHD fiber adapter panels. The horizontal lacer panel with 5 D-rings can match for 1U 19" devices to meet your different cable management needs.



Standards Compliance

- RoHS Compliant
- ISO9001 Certificate

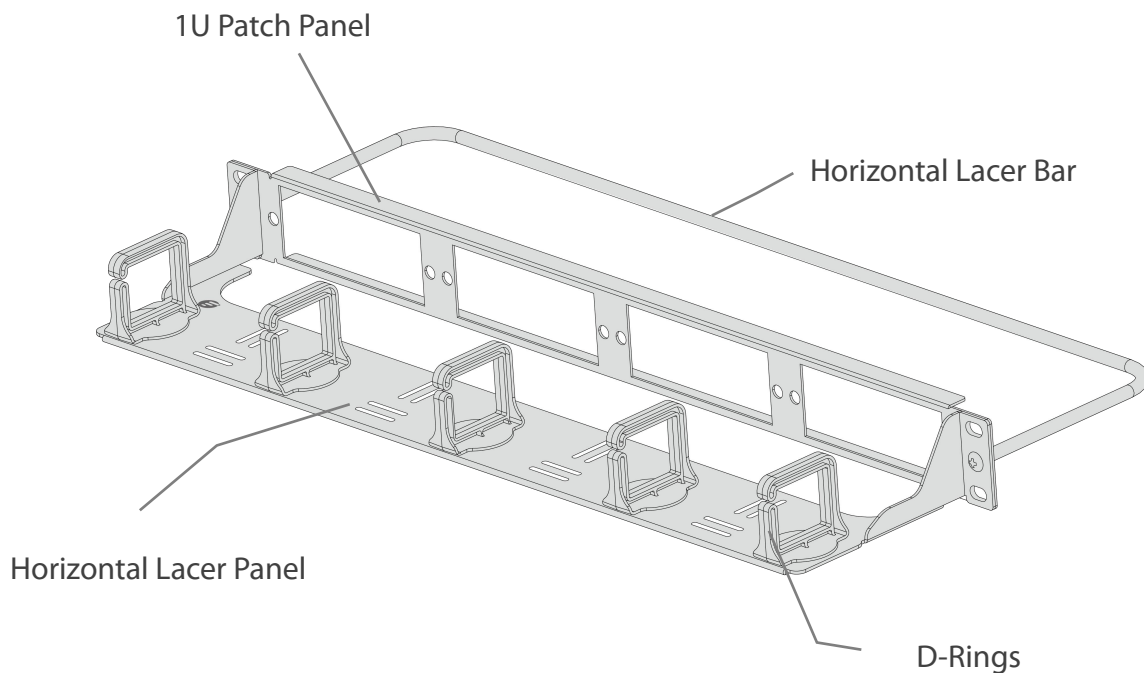
Features

- Compatible with all FHD series fiber adapter panels.
- Fit standard EIA 19" rack or cabinet.
- Detachable plastic D-rings, steel panel and steel lacer bar for easy installation and cable organization.
- Easy to work with while still providing durability.
- Convenient troubleshooting.
- Ease of cable connection.
- Reduce the risk of fire.

Product Specifications

Part Number	FHD-FPP5DRL	FHD-CMP5DR
Pic.		
No. of Rack Spaces	1U	1U
Capacity	4 Ports	/
Fiber Count	Max. 96 Fibers	/
Orientation	Horizontal	Horizontal
Lacing Bar and Panel Material	SPCC	SPCC
D-rings Material	ABS	ABS
Color	Black	Black
Detachability	Yes	Yes
Application	Matching for FHD Series FAPs and 1U 19" Devices	Matching for 1U 19" Devices
Dimensions (HxWxD)	1.73"x17.64"x8.93" (44x448x227mm)	1.73"x17.64"x4.21" (44x448x107mm)
Included Accessories	M6*15mm Screw x4 and M6 Nut x4	M6*15mm Screw x4 and M6 Nut x4

Assembly Structure Illustration



Accessories List



D-ring ×2



M6*15mm Screw x4 and M6 Nut x4



Installation Guide ×1

Multiple Choices for Application

I. Product Application for FHD-FPP5DRL

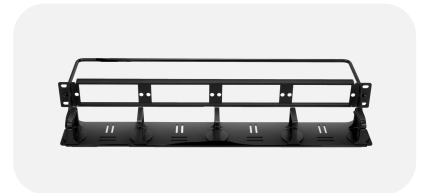
Matching for FHD LC SC MTP FAPs



①



②



③

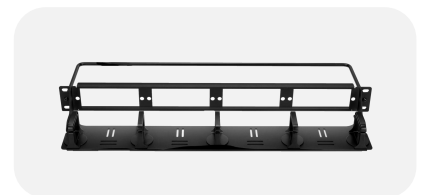
Item No.	#ID	Description
1	#40191	1m (3ft) LC UPC to LC UPC Duplex Single Mode Fiber Optic Patch Cable
2	#35488	12x LC Duplex, 24 Fibers FHD Fiber Adapter Panel
3	#72910	1U 19" Cable Management Panel with 5 Detachable Plastic D-rings and Lacing Bar



①



②



③

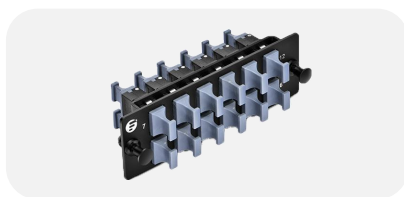
Item No.	#ID	Description
1	#40214	1m (3ft) LC UPC to SC UPC Duplex Single Mode Fiber Optic Patch Cable
2	#35484	6x SC Duplex, 12 Fibers OS2 Single Mode FHD Fiber Adapter Panel
3	#72910	1U 19" Cable Management Panel with 5 Detachable Plastic D-rings and Lacing Bar

Note:

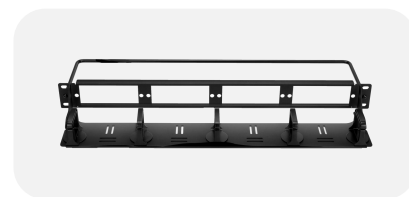
The basic application and matching products for cable managers are shown for reference.



①



②

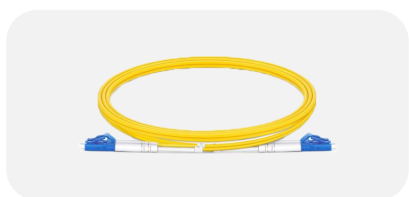


③

Item No.	#ID	Description
1	#68106	5m (16ft) MTP Female to Female 12 Fibers OM4 50/125 Multimode Trunk Cable, Type A
2	#35510	12x MTP Key Up to Key Down Adapters FHD Fiber Adapter Panel
3	#72910	1U 19" Cable Management Panel with 5 Detachable Plastic D-rings and Lacing Bar

II. Product Application for FHD-CMP5DR

1. Matching for CWDM Mux Demux



①



②



③

Item No.	#ID	Description
1	#40191	1m (3ft) LC UPC to LC UPC Duplex Single Mode Fiber Optic Patch Cable
2	#33489	18 Channels 1270-1610nm, with Monitor Port, LC/UPC, Dual Fiber CWDM Mux Demux
3	#72911	1U Metal Horizontal Lacer Panel with 5 Rotating and Detachable Plastic D-rings

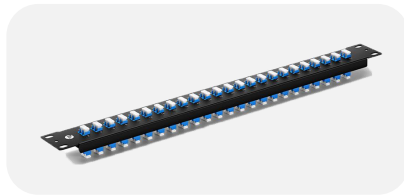
Note:

The basic application and matching products for cable managers are shown for reference.

2. Matching for FHU 1U Patch Panels



①



②



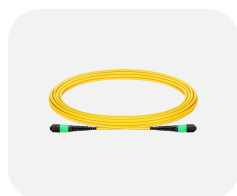
③

Item No.	#ID	Description
1	#40191	1m (3ft) LC UPC to LC UPC Duplex Single Mode Fiber Optic Patch Cable
2	#35530	24x LC Duplex, 48 Fibers OS2 Single Mode FHU 1U 19" Fiber Patch Panel
3	#72911	1U Metal Horizontal Lacer Panel with 5 Rotating and Detachable Plastic D-rings

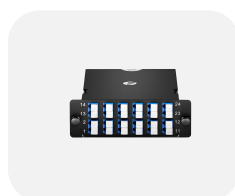
3. Matching for FHD Fiber Optic Enclosures



①



②



③



④



⑤

Item No.	#ID	Description
1	#57341	2x MTP-12 to 12x LC Duplex, Type A, 24 Fibers OS2 FHD MTP/MPO Cassette
2	#68102	5m (16ft) MTP Female 12 Fibers OS2 9/125 Single Mode Trunk Cable, Type A
3	#68540	2x MTP-12 to 12x LC Duplex, Type AF, 24 Fibers OS2 FHD MTP/MPO Cassette
4	#34684	1U 96 Fibers Rack Mount FHD High Density Fiber Enclosure Unloaded
5	#72911	1U Metal Horizontal Lacer Panel with 5 Rotating and Detachable Plastic D-rings

Note:

The basic application and matching products for cable managers are shown for reference.

Cable Manager List

I. Horizontal Cable Manager

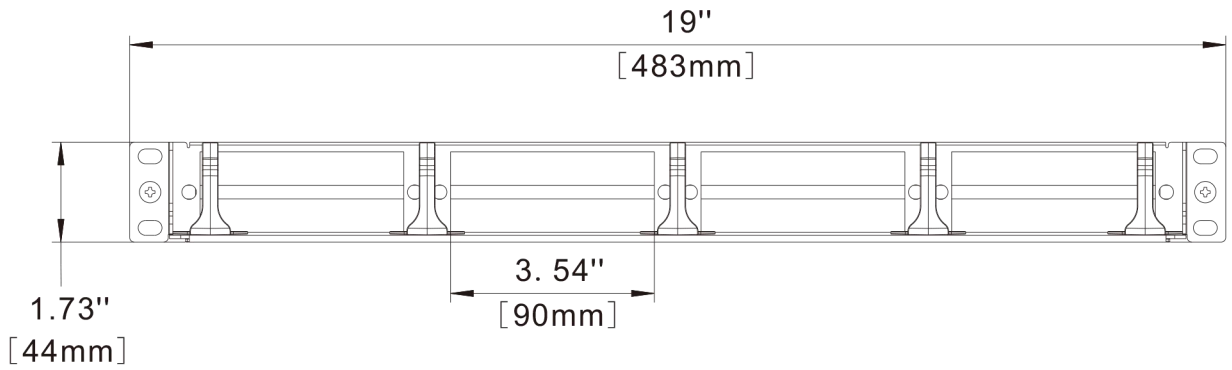
Item No.	#ID	Description
1	#29034	1U Metal Horizontal Cable Manager with 5 D-rings
2	#68690	1U Metal Recessed Horizontal Cable Manager with 4 D-rings & Brush Strip
3	#64184	1U Metal Horizontal Cable Manager with End Rings Manager
4	#29033	1U Metal Horizontal Cable Manager with Brush Strip
5	#29040	1U Plastic Dual Sided Horizontal Cable Manager with Finger Duct
6	#72911	1U Metal Horizontal Lacer Panel with 5 Rotating and Detachable Plastic D-rings
7	#72910	1U 19" Cable Management Panel with 5 Detachable Plastic D-rings and Lacing Bar
8	#29038	1U Plastic Single Sided Horizontal Cable Manager with Finger Duct
9	#59566	1U L-Shaped Horizontal Cable Lacer Bar with Angled 4" Offset, 5pcs/pack

II. Vertical Cable Manager

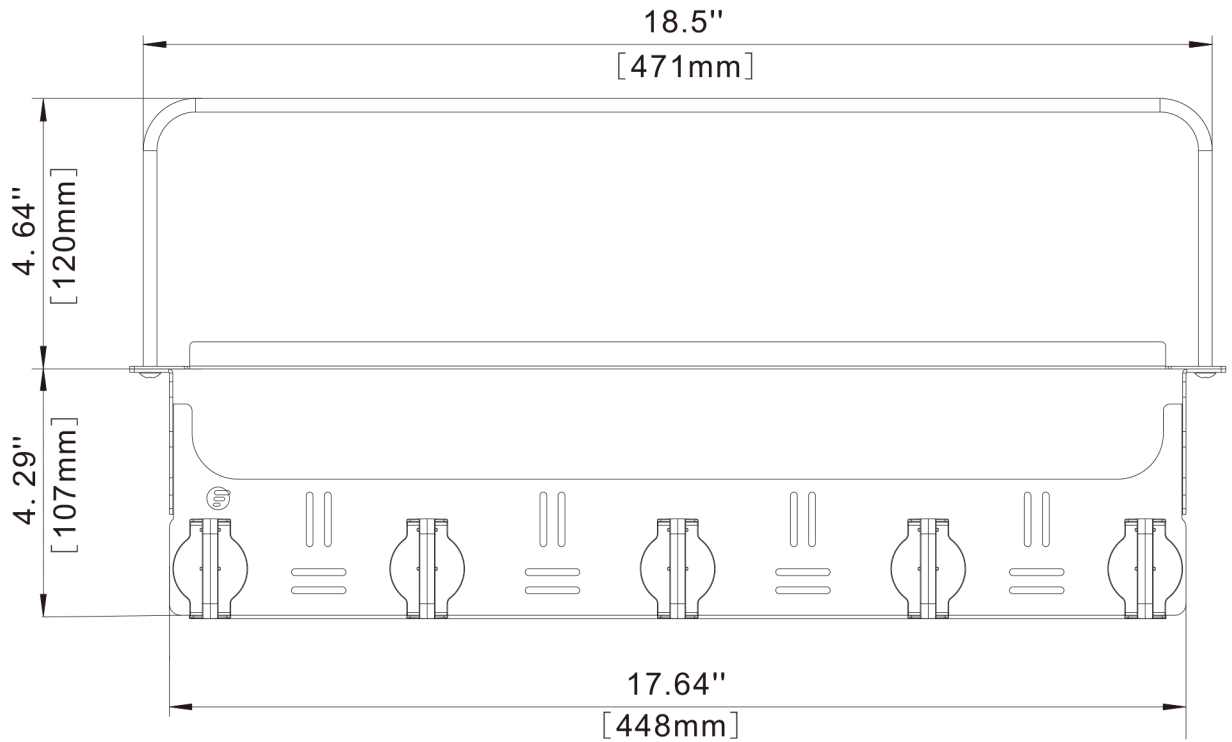
Item No.	#ID	Description
1	#73094	1.6" Single D-Ring Vertical Cable Manager with M6 Model Screws and Nuts
2	#64186	5U 3" Wide Plastic Vertical Cable Manager with Bend Radius Finger
3	#63033	45U 4.9" Wide Plastic Single Sided Vertical Cable Manager

Product Specifications

Front View



Top View



Dimensions are in inches. (Dimensions in parentheses are in millimeters).



 <https://www.fs.com>



The information in this document is subject to change without notice. FS has made all efforts to ensure the accuracy of the information, but all information in this document does not constitute any kind of warranty.