

Fiber/Copper Connector Insertion & Extraction Tool Datasheet

Easily removes copper and fiber patch cables in dense rack or cabinet installation.



Description

This insertion & extraction tool is perfect for inserting and extracting fiber or copper connectors in ultra high-density environment. The unique jaw of the tool is specially designed to easily navigate tight spaces and grasp connectors firmly without damaging them or touching any surrounding connectors. This tool is compatible with LC, SC (simplex/duplex), MU, MT-RJ, RJ45 and other similar type connectors.

Standards Compliance

- ISO9001 Certificate

Features

- Bent nose jaw insures insertion and extraction positive gripping without slipping.
- Rubber protected jaw safely secure and grip connectors without damaging them.
- Spring-loaded design ensures optimum connector gripping action.
- Non-slip, ergonomic handles ensure a secure grip and can be comfortably held with either hand.

Product Specifications

Product Constructions

Part Number	80860
Product Type	Insertion & Extraction Tool
Connector Types	LC, SC, MU, MT-RJ, RJ45
Material of Tool Frame	Steel
Material of Handles	Silica Gel
Dimensions (HxWxD)	8.75"x2.75"x0.75" (222.9x70 x19.1mm)
Weight	3.49 oz (99 g)

Compatible Connectors

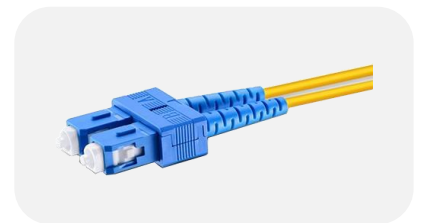
This connector insertion and extraction tool is capable of reaching into very tight spaces, and is truly the perfect tool for working with various connectors in high density locations.



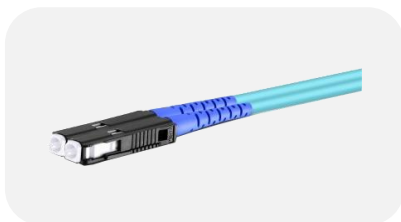
LC Uniboot Duplex



LC Duplex



SC Duplex



MU Duplex



MTRJ Duplex

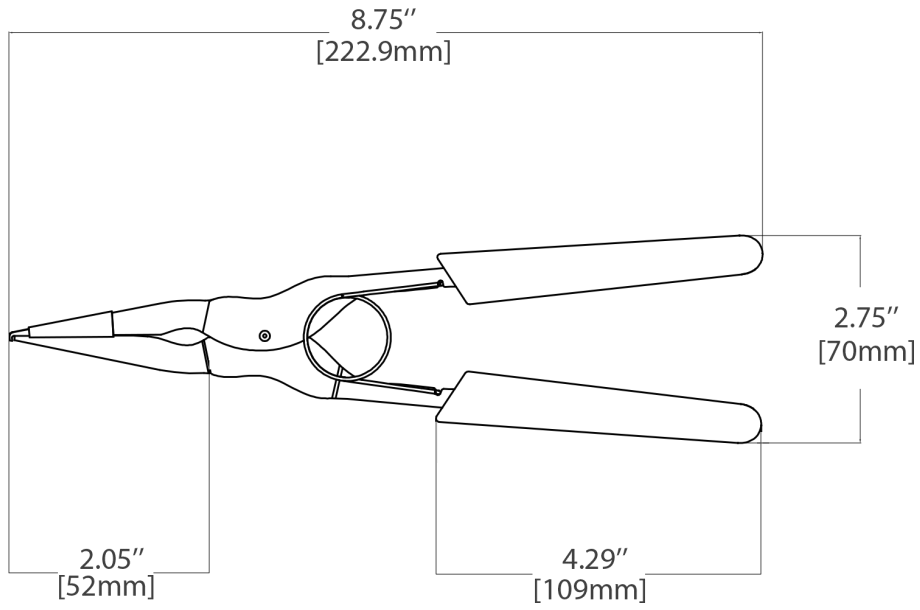


RJ-45

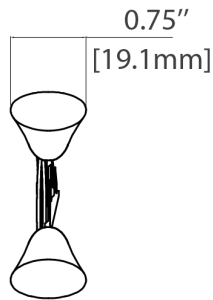
Note: The connector types listed above are for reference only.

Technical Drawing

Front View



Side View



Dimensions are in inches. (Dimensions in parentheses are in millimeters).

Matching Products

ID	Description
#72166	1m (3ft) LC UPC to LC UPC Flat Clip Uniboot Duplex OS2 PVC (OFNR) 2.0mm BIF Fiber Optic Patch Cable
#72170	1m (3ft) LC UPC to LC UPC Flat Clip Uniboot Duplex OM4 PVC (OFNR) 2.0mm BIF Fiber Optic Patch Cable
#40191	1m (3ft) LC UPC to LC UPC Duplex OS2 Single Mode PVC (OFNR) 2.0mm Fiber Optic Patch Cable
#40237	3m (10ft) SC UPC to SC UPC Duplex OS2 Single Mode PVC (OFNR) 2.0mm Fiber Optic Patch Cable
#70595	3ft (0.9m) Cat6 Snagless Unshielded (UTP) PVC CM Ethernet Network Patch Cable, Blue
#105333	3x MTP®-12 to 18x Shuttered LC Duplex, Type A, 36 Fibers OS2 Single Mode FHD MTP® Cassette
#105335	3x MTP®-12 to 18x Shuttered LC Duplex, Type A, 36 Fibers OM4 Multimode FHD MTP® Cassette
#74184	3x MTP®-12 to LC, 36 Fibers OM4 Multimode FHZ MTP® Cassette
#35488	12x LC Duplex, 24 Fibers OS2 Single Mode FHD Fiber Adapter Panel
#69081	48x LC Duplex, 96 Fibers OS2 Single Mode FHU 1U 19" Fiber Patch Panel
#35529	24x SC Duplex, 48 Fibers OS2 Single Mode FHU 1U 19" Fiber Patch Panel
#43552	12x MTP®-8 to 24x LC Quad, 96 Fibers OS2 Single Mode FHU 1U Breakout Patch Panel Flat



 <https://www.fs.com>



The information in this document is subject to change without notice. FS has made all efforts to ensure the accuracy of the information, but all information in this document does not constitute any kind of warranty.