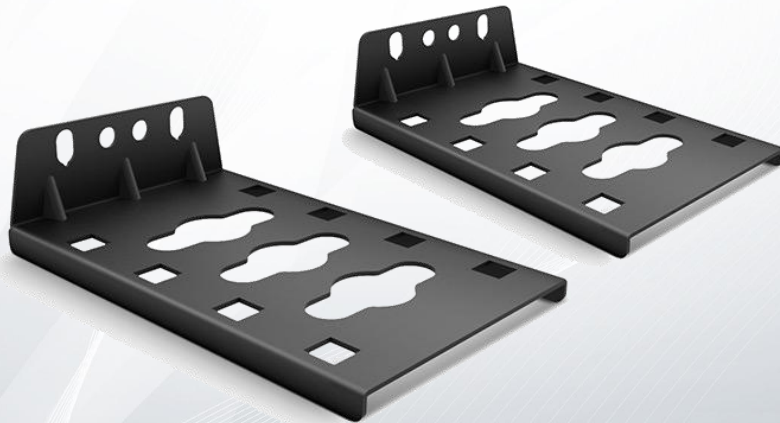


FS-PDUBK PDU Brackets Datasheet

Support toolless installation of PDUs to EIA-standard 2-Post or 4-Post style racks or cabinets.



Vertical PDU Mounting Bracket

The FS-PDUBK Vertical PDU Mounting Bracket allows you to mount up to two 2.4" (60mm) PDUs side by side or one 4.7" (120mm) PDU on a 2-post or 4-post rack or cabinet. The sturdy steel mounting brackets connect to any EIA-compliant mounting rail with the included hardware.

Standards Compliance

- ISO9001 Certificate

Features

- Black coated SPCC steel to enhance mounting bracket service life
- Provides additional vertical mounting for PDU products
- Supports two tool-less mounting vertical 0U PDUs
- Compatible with 2-post and 4-post racks and cabinets
- Includes mounting hardwares

Product Specification

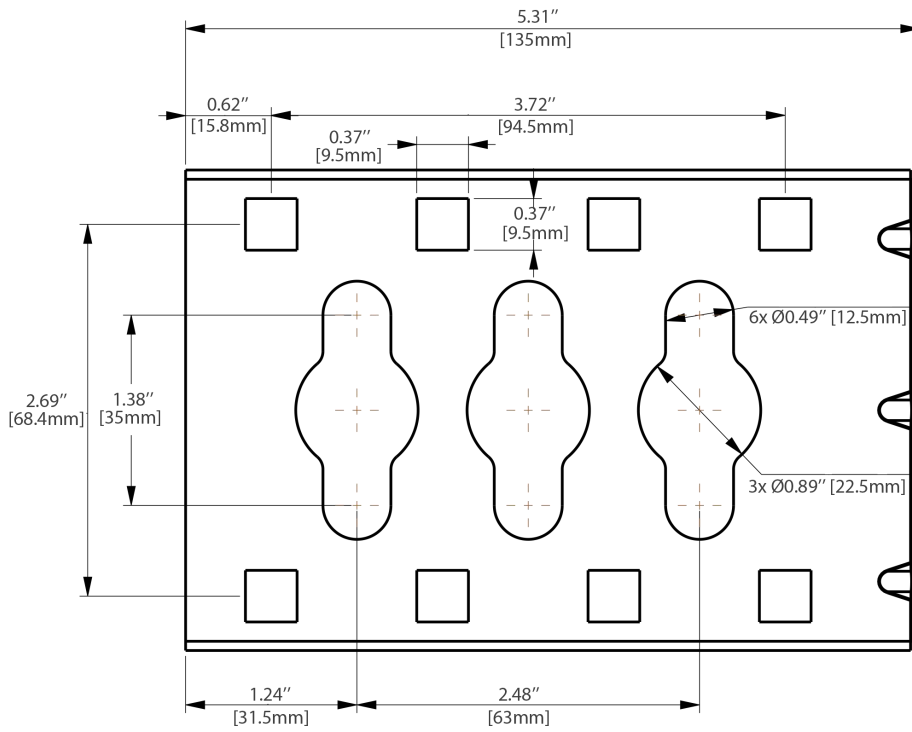
Part Number	FS-PDUBK
Material	SPCC
Package	2pcs/pack
Color	Black
Supporting Vertical PDU	Dual
Dimensions (HxWxD)	1.2"x5.3"x3.5" (30x135x88.4mm)
Accessories	M6 screw x12 and M6 nut x12
Application	Matching for EIA-standard Racks or Cabinets

Matching Products List

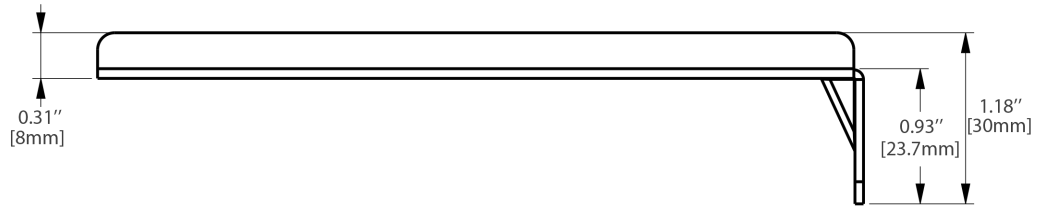
Item No.	ID	Description
1	#73579	42U GR800-Series Black Network & Server Cabinet 800x1170mm
2	#73958	42U GR600-Series Black Server Cabinet 600x1170mm
3	#97949	45U GF2-Series 2-Post Open Frame Rack
4	#74156	7.36kW Single-Phase 32A/230V Monitored PDU, 36 C13 & 6 C19 Outlets, IEC 309 32A 2P+E Plug, 10ft Cord, 0U Vertical
5	#29452	Single-Phase 15A/125V Basic PDU, 8 NEMA 5-15R Outlets, NEMA 5-15P Plug, 6.6ft Cord, 1U Rack-Mount

Technical Drawing

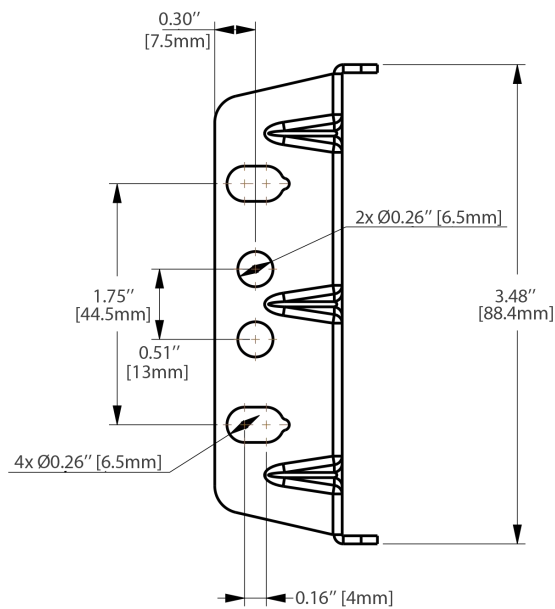
Top View



Front View



Side View



Dimensions are in inches. (Dimensions in parentheses are in millimeters).



 <https://www.fs.com>



All statements, technical information, and recommendations related to the products here are based upon information believed to be reliable or accurate. However, the accuracy or completeness thereof is not guaranteed, and no responsibility is assumed for any inaccuracies. Please contact FS for more information.