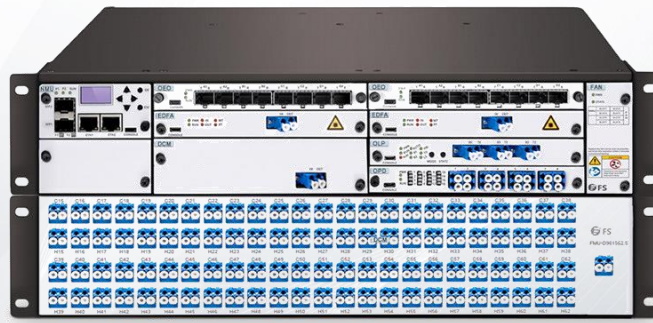


FMT 9600E Hyperscale DWDM Connect

Up to 960Gbps 85KM Dual Fiber BIDI End-to-End Transport



DESCRIPTION

Confronted with unpredictable traffic requirements, increasing bandwidth demands, and changing applications, network operators rely on the highly flexible capabilities of the widely deployed FMT Series Optical Transport Platform to respond to these conditions.

The FMT 9600E supports a broad range of applications including business Ethernet services, data center interconnect, mobile and fixed broadband backhaul, SAN and native video transport, private enterprise networks, and the migration of SONET/SDH, OTN, or WDM. Each shelf provides fabricless switching of packet, OTN, and SONET/SDH with up to 960G of packet interface capacity and support for Ethernet Bridging.

Offering a future-proof 2U platform for metro-regional transport, the FMT 9600E has a heritage of low power

and compact products and solutions, fitting ideally in metro deployments.

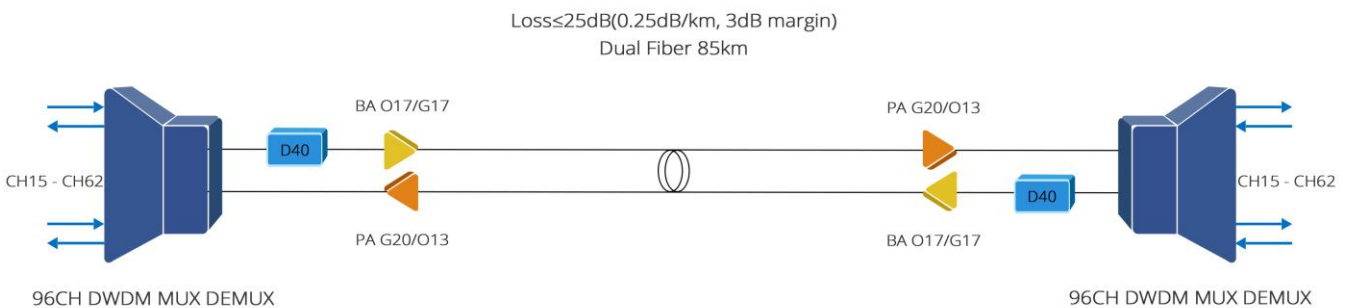
And the FMT 9600E is a 96 DWDM channels member of the FMT series intelligent DWDM multiplexer family which can achieve 85km @ 10G 80KM DWDM transceiver end-to-end dual fiber bi-directional transport when the fiber link loss is 0.25dB/km and the fiber type is G.652D. Optical layer modules and a wide range of intelligent services modules, including high-density 10G modules, can be installed in the 8 full size slots of the 2U chassis with controller cards and OSC. The AC powered version of the chassis is default and optimized for data center environments.

FMT 9600E IN SHORT

- Flexible Networking: Embedded intelligent DWDM MUX/DEMUX. Integrated DWDM EDFA, DCF-based DCM and system management.
- Robust: Redundant hot pluggable power supply units (PSUs). Field serviceable network management board without traffic interruption.
- Channel Density: System capacity up to 96 DWDM channels.
- Compact Building Practice: 2U x 19" form factor with OSC.
- Standardization: Already configured system and purchased directly.
- Maximum Reach: 85km@10Gbps end to end transport.

Up to 85 KM for 10 Gbps End-to-End Dual Fiber BIDI Transport

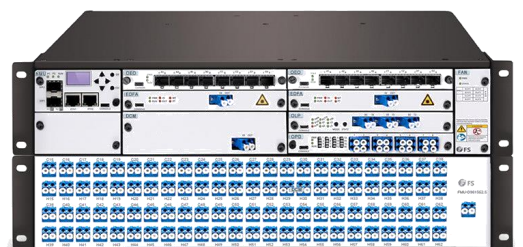
Depending on the type of connectivity required, it can be configured with combination of EDFAs and DCM modules to handle all protocols up to 960Gbps.



Standard Configuration

- 2U 8 Slots Managed Chassis Unloaded, Dual 100V-240VAC
- 96CH CH15-CH62 DF DWDM Mux, LC/UPC
- 96CH CH15-CH62 DF DWDM Demux, LC/UPC
- O17/G17 OBA, -23dBm~+12dBm, AGC
- G20/O13 OPA, -30dBm~+5dBm, AGC
- 40KM DCM, $-680 \pm 3\%$ ps/nm, 3.5dB, LC/UPC
- LC/UPC Singlemode Optic Attenuator, 8dB

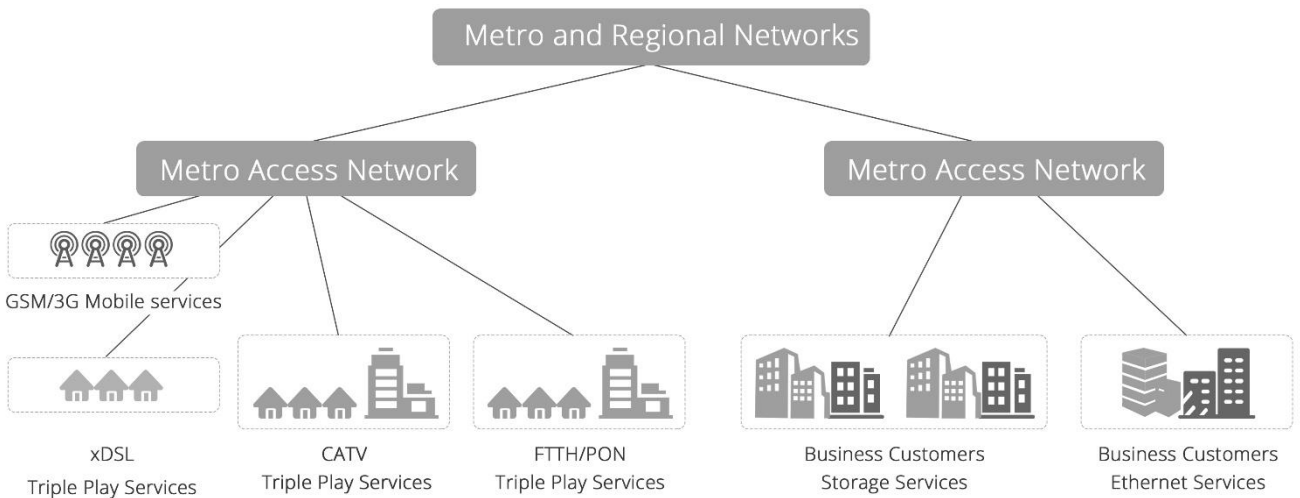
FMT 9600E Metro-Optical Transport Access



Application

FMT 9600E is designed to support for metro/regional networks, such as GSM/3G mobile services, xDSL, CATV, FTTH/PON triple play services, business customers storage services and Ethernet services.

And FMT 9600E is a highly integrated extending multiplexing platform that can be used in financial institutions, universities, service providers, enterprises, dark fiber providers.



Optical Transport Network Management System

The FS.COM Network Management Unit(NMU/NMS) module is the central management hub of the FMT system. Configuration and monitoring of integrated transponder are performed by SNMP or Command Line Interface. Using the corresponding MIB table, the transponder can be integrated into existing SNMP based management systems. In addition, an "Active Alarms List" is available which shows an overview of all the critical states. All alarms are stored in an alarm history file.

Features of Monitor Online

- 1) Email notification
- 2) Performance monitoring
- 3) Alarm and event management
- 4) User and security administration
- 5) Local and remote network management



TECHNICAL SPECIFICATIONS

System	Description
Topology	End-to-End DWDM networks using FMT 9600E efficient DWDM connect
Networking Modes	Dual fiber bi-directional transport
Transport Network	Metro WDM/dark fiber
Approvals	CE, FCC, RoHS
Dimensions (HxWxD)	2U managed chassis, 8 slots, 3.39"x19"x11.81" (86x482.6x300mm)
Channel Count	96 DWDM channel (C15 to C62)
Supported Protocols	SDH/SONET, PDH, OTN, Ethernet, SAN
Eye Safety	Automatic laser shut down
Power Supply	100V-240VAC 1.7A, 100W
Redundancy	Dual feeding, hot swappable
Operating Temp	-5~60° C
Storage Temp	-40~80° C
Heat Dissipation	1* fan module, hot swappable
Ingress Protection	Non-waterproof
Optical Specification	Description
Fiber Distance	85km@10Gbps end to end (default)
Fiber Link Loss	0.25dB/km
Fiber Types	G.652D
Network Management	Description
Management Ports	2*10/100/1000Base-T RJ-45 2*100Base-FX SFP 1*Console port
Management Protocols	SNMP, monitor online, simple management tool
Management Channel	Optical supervisory channel (OSC) at 1510nm (standard)
DCN	OSC
Visual Indicators	LED status indicators for client ports, line interfaces, power

FMT 9600E Hypercale DWDM Connect Packing List

ID	Description	Qty
73580	2U 8 slots Managed Chassis with NMS/NMU and Dual Power 100V-240VAC for Pluggable Module	2 pcs
66601	96CH C15-C62 50Ghz Passive DWDM Mux&Demux, LC/UPC, 2U Rack Mount	2 pcs
72283	O17/G17 Multi-channel BA C-band(1529~1564nm), AGC, LC/UPC, Occupies 1 slot	2 pcs
72284	G20/O13 Multi-channel PA C-band(1529~1564nm), AGC, LC/UPC, Occupies 1 slot	2 pcs
65781	40KM DCM C Band, G652D Fiber, LC/UPC, Occupies 2 slots	4 pcs
72555	LC/UPC Singlemode Fixed Fiber Optic Attenuator, Male-Female, 8dB	2 pcs

Note: Free Accessory: 1*Software CD, 1*User Manual, 1*Test Report, 4*M6/Screws M6, 4*Floating Nuts.

Options & Spare Parts

ID	Description
30515	4CH Multi-Rate WDM OEO
66010	1+1 Optical Line Protection Switch (OLP)
73281	OTDR (Optical Time Domain Reflectometer)
71586	OPM (Optical Performance Monitoring)
70941	OPD (AIU) Optical Power Detection

Do you have any questions about our Access + Metro products? Just contact our expert consultant directly: otn@fs.com



 <https://www.fs.com>



All statements, technical information, and recommendations related to the products here are based upon information believed to be reliable or accurate. However, the accuracy or completeness thereof is not guaranteed, and no responsibility is assumed for any inaccuracies. Please contact FS for more information.