

## 1RU Side-out Rack Mount LGX Fiber Enclosure Unloaded #51608

---

FLG-1UFMX-N

### Description

An integrated unit for fiber management a protection function.

Fiber Rack-Mount Enclosure shall be designed to house, organize and manage fiber terminations, connections, and patching in all applications.

Allows for easy field termination of connectors or installation of pre-terminated solutions, provide increased access between ports, thus enabling the ease of moves, adds, and changes for improved reliability and cost savings.



### Technical Information

- Net Weight: 3.65KG
- Dimensions:44mm(H) x 440mm(W) x 229.1mm(D)
- Material: Steel with black powder coating
- Modular Design: 3 LGX cassettes can be loaded, up to 36 or 72 fibers
- Accessories: Mounting accessory kits included management loops, slack spools

### Notes:

The enclosure can also serve as a transition point for pre-terminated MTP interconnect or trunk cables patched to active equipment in data center server cabinets or LAN switch racks.

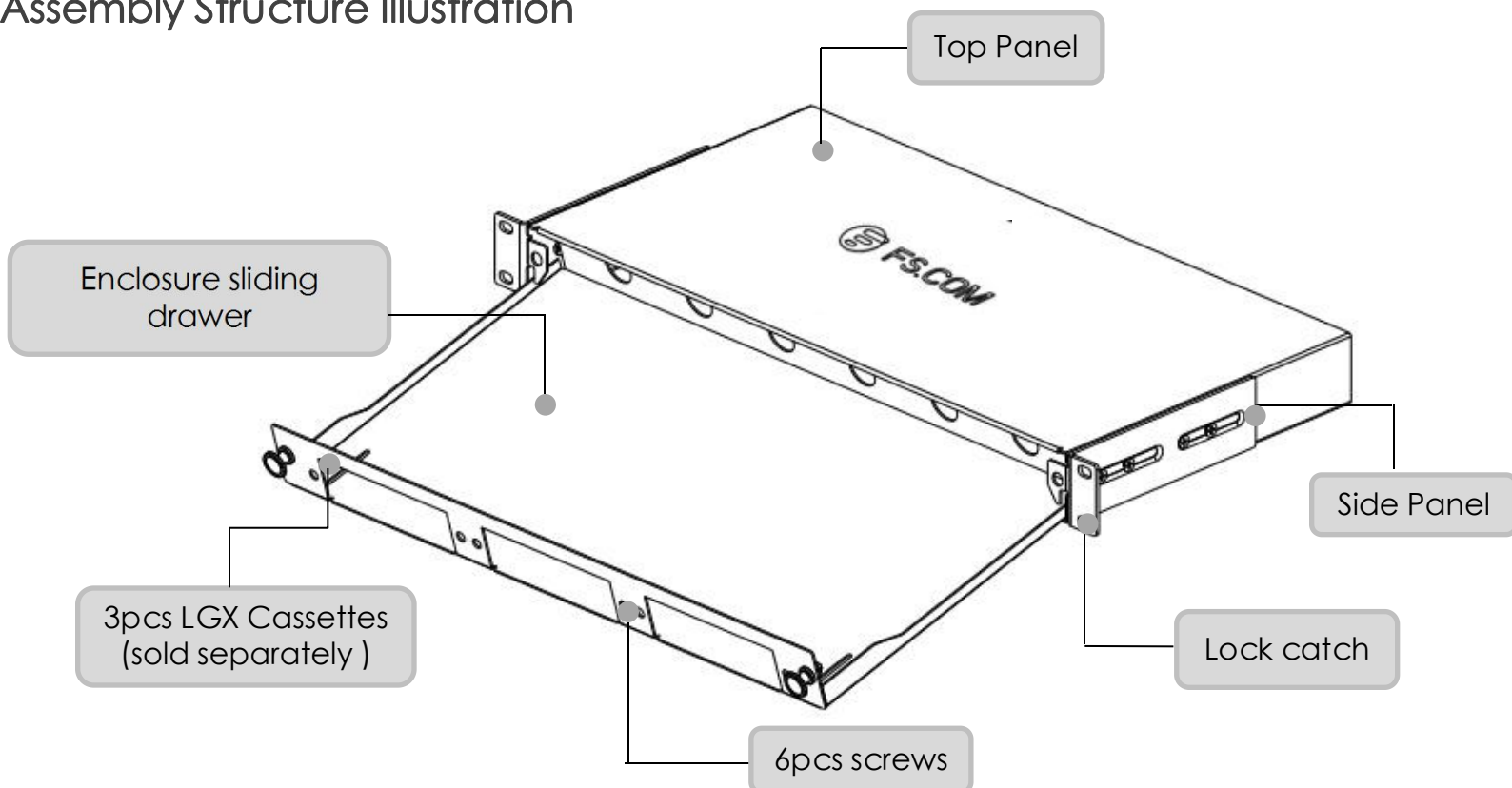
### Application

- High Density Fiber Applications
- Data Centers, Equipment Rooms
- Main Distribution Areas(MDA)
- Horizontal Distribution Areas(HDA)

## Key Features and Benefits

Features	Benefits
<ul style="list-style-type: none"> <li>• Mount to standard EIA 19" rack rails, holds up 3 pieces of MTP MPO LGX Cassettes</li> <li>• Sliding drawer is ideal for panel access management</li> <li>• Integral cable management</li> <li>• Interconnect and cross-connect capability</li> </ul>	<ul style="list-style-type: none"> <li>• Fewer rack units saving valuable space for higher patch field density</li> <li>• Provide flexibility solution for rapid-deploy installation in 19" EIA-310 racks</li> <li>• Ensure signal integrity, proper cable routing, bend radius control and cable protection</li> <li>• Ideal for field connectivity</li> </ul>

## Assembly Structure Illustration



### Fiber Enclosure Loading List

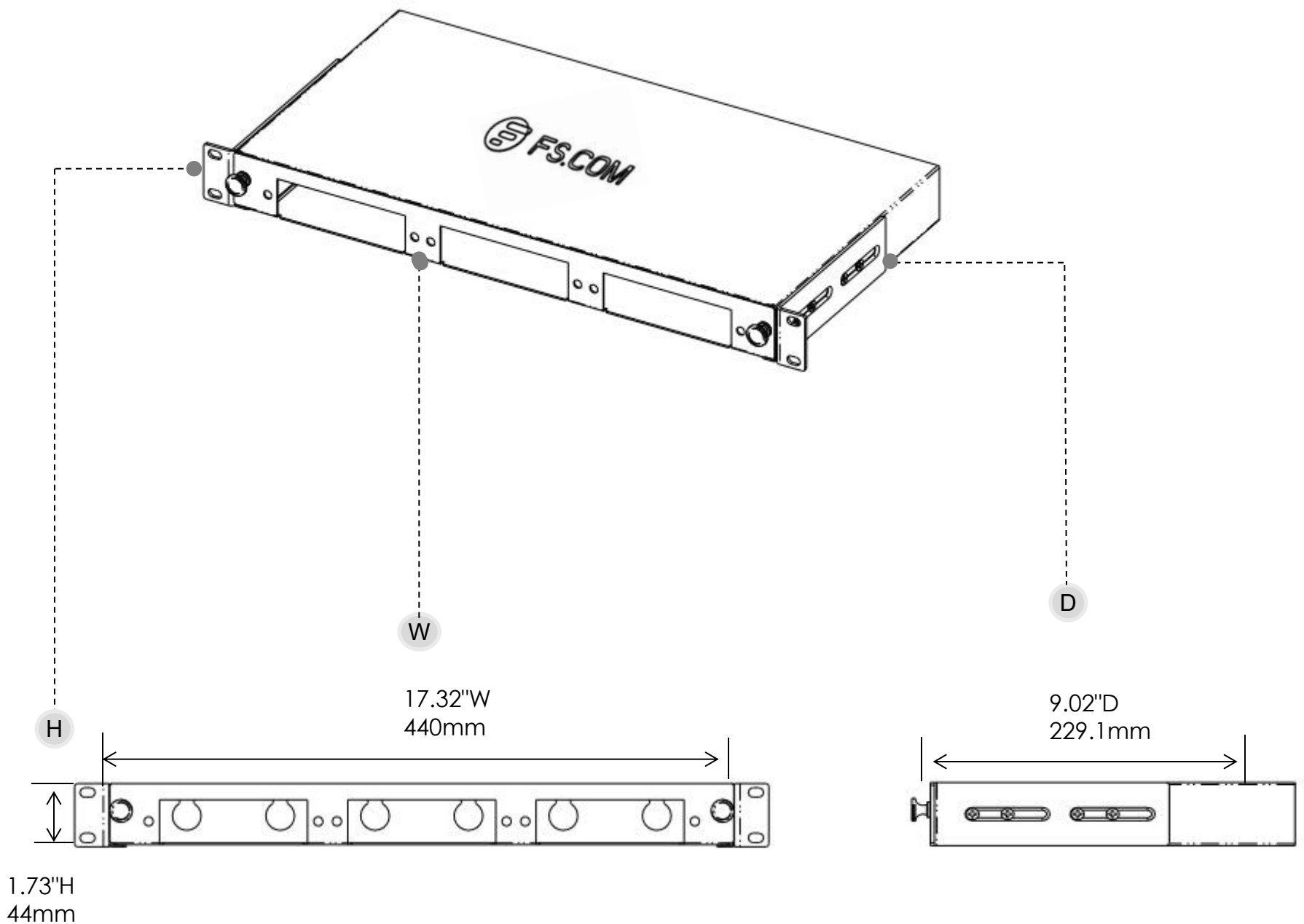
MTP MPO LGX Cassette Description	Fiber Count FLG-1UFMX	Fiber Count FS-1UFMX-N	Fiber Count FS-4UFMX	LGX Cassettes ID No.
6 LC Duplex adapter to 1 MTP/MPO Type A	36	36	144	#39324 - OM4 #48541 - OM3 #62315 - OS2
6 SC Duplex adapter to 1 MTP/MPO Type A	36	36	144	#31315 - OM4 #31342 - OM3 #31318 - OS2
12 LC Duplex adapter to 1 MTP/MPO Type A	72	72	288	#31336 - OM4 #31337 - OM3 #31338 - OS2
12 LC Duplex adapter to 2 MTP/MPO Type A	72	72	288	#31346 - OM4 #31349 - OM3 #62317 - OS2

Fiber Adapter Panel Description	FAP Qty FS-1UFMX	FAP Qty FS-1UFMX-N	FAP Qty FS-4RU-MX	FAPs Panel ID No.
Blank Fiber Adapter Plate	3	3	12	#35526

Notes:

1. 1 LGX Cassette=156x102x29mm Standard MTP/MPO Cassette.
2. 1 Blank FAP=128x35mm, can only be used for the enclosure of FS series.
3. FC, ST, E2000 Cassette also can be customized, welcome to contact [sales@fs.com](mailto:sales@fs.com).

## Mechanical Drawing



1U side-out Rack Mount Fiber Enclosure is compatible with Fiberstore high quality series optimized LGX cassettes. Each 1U Rack Mount Fiber Enclosure can accommodate a maximum of 72 fiber ports.

More details about Fiber Enclosure, welcome to contact us at [sales@fs.com](mailto:sales@fs.com).

## Selection Guides and Order Information

### C

ID No.	Description
#31033	1RU LGX Fiber Enclosure Unloaded, holds up to 3 LGX Cassettes; 72 Fibers [44mm(H)x431mm(W)x245mm(D)]
#51608	1RU Slide-Out LGX Fiber Enclosure Unloaded, holds up to 3 LGX Cassettes; 72 Fibers [44mm(H) x 440mm(W) x 229.1mm(D)]
#31034	4RU LGX Fiber Enclosure Unloaded, holds up to 12 LGX Cassettes; 288 Fibers [174mm(H)x431.5mm(W)x400mm(D)]
#51607	1RU Slide-Out HD Fiber Enclosure Unloaded, holds up to 4x FAPs Fiber Adapter Panels or 4x HD MPO/MTP Cassettes; 96 Fibers [44.4mm(H)x483mm(W)x457.8mm(D)]
#51610	2RU Slide-Out HD Fiber Enclosure Unloaded, holds up to 8x FAPs Fiber Adapter Panels or 8x HD MPO/MTP Cassettes; 192 Fibers [88.4mm(H)x447mm(W)x414mm(D)]
#51611	4RU Slide-Out HD Fiber Enclosure Unloaded, holds up to 12x FAPs Fiber Adapter Panels or 12x HD MPO/MTP Cassettes; 288 Fibers [177mm(H)x447mm(W)x414mm(D)]

### Telecommunications Room, Work Area, and Field-terminated Applications

ID No.	Description
#51616	2RU Slide-Out Fiber Enclosure Unloaded, holds up to 6x FAPs Fiber Adapter Panels or 2 Fiber Splice Tray Module; 144 Fibers [88mm(H)x432mm(W)x361mm(D)]
#34695	4RU Slide-Out Fiber Enclosure Unloaded, holds up to 12x FAPs Fiber Adapter Panels; 288 Fibers [168.1mm(H)x433.3mm(W)x292.1mm(D)]

### Basic Applications

ID No.	Description
#34684	1RU Rack Mount Fiber Enclosure Unloaded, holds up to 4 FAPs Fiber Adapter Panels or 4 HD MTP MPO Cassette; 96 Fibers [44mm(H)x430mm(W)x281.9mm(D)]

Note:

Above all of these enclosures are standard size, other size requirements, please kindly contact us at [sales@fs.com](mailto:sales@fs.com).



 <https://www.fs.com>



The information in this document is subject to change without notice. FS has made all efforts to ensure the accuracy of the information, but all information in this document does not constitute any kind of warranty.