

DATASHEET

## FHX Ultra Fiber Enclosure

Data Center & Cloud Computing  
Infrastructure Solutions

## Description

FHX fiber optic enclosure houses, organizes, manages, and protects fiber optic cable, terminations, splices, connectors and patch cords. The 1U enclosure houses 3 independently sliding drawers, and each drawer is able to hold 12-port cassettes and panels configurations, providing a system for managing fiber terminations, connections, and patching in all types of applications.



## Features

- Adjustable mounting brackets are better suited to your cabinets.
- Smooth slide rail allows the drawer to extend steady in a straight line.
- Labeling options for the FHX Fiber Enclosures allow for identification.
- Provides the highest levels of density and serviceability.

## Application

- High Density Fiber Applications
- Data Centers, Equipment Rooms
- Main Distribution Areas(MDA)
- Horizontal Distribution Areas(HDA)

### Notes:

The enclosure can also serve as a transition point for pre-terminated MTP interconnect or trunk cables patched to active equipment in data center server cabinets or LAN switch racks.

# Product Specifications

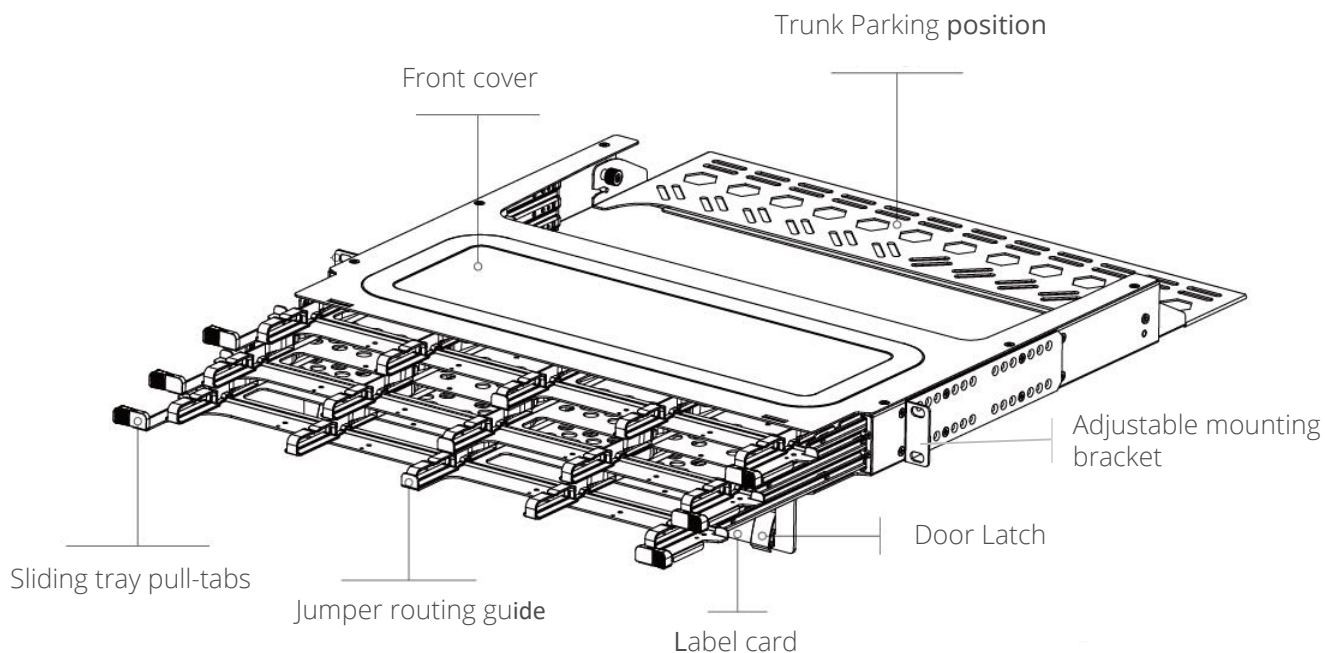
## Product Characteristics

Fiber Count	MAX.144 Fibers
Enclosure Type	Rack Mountable
Material	Aluminum
Installation	Standard EIA 19" Rack Rails
Dimensions(HxWxD)	1.73"x17.56"x19.70"(44x446x500mm)

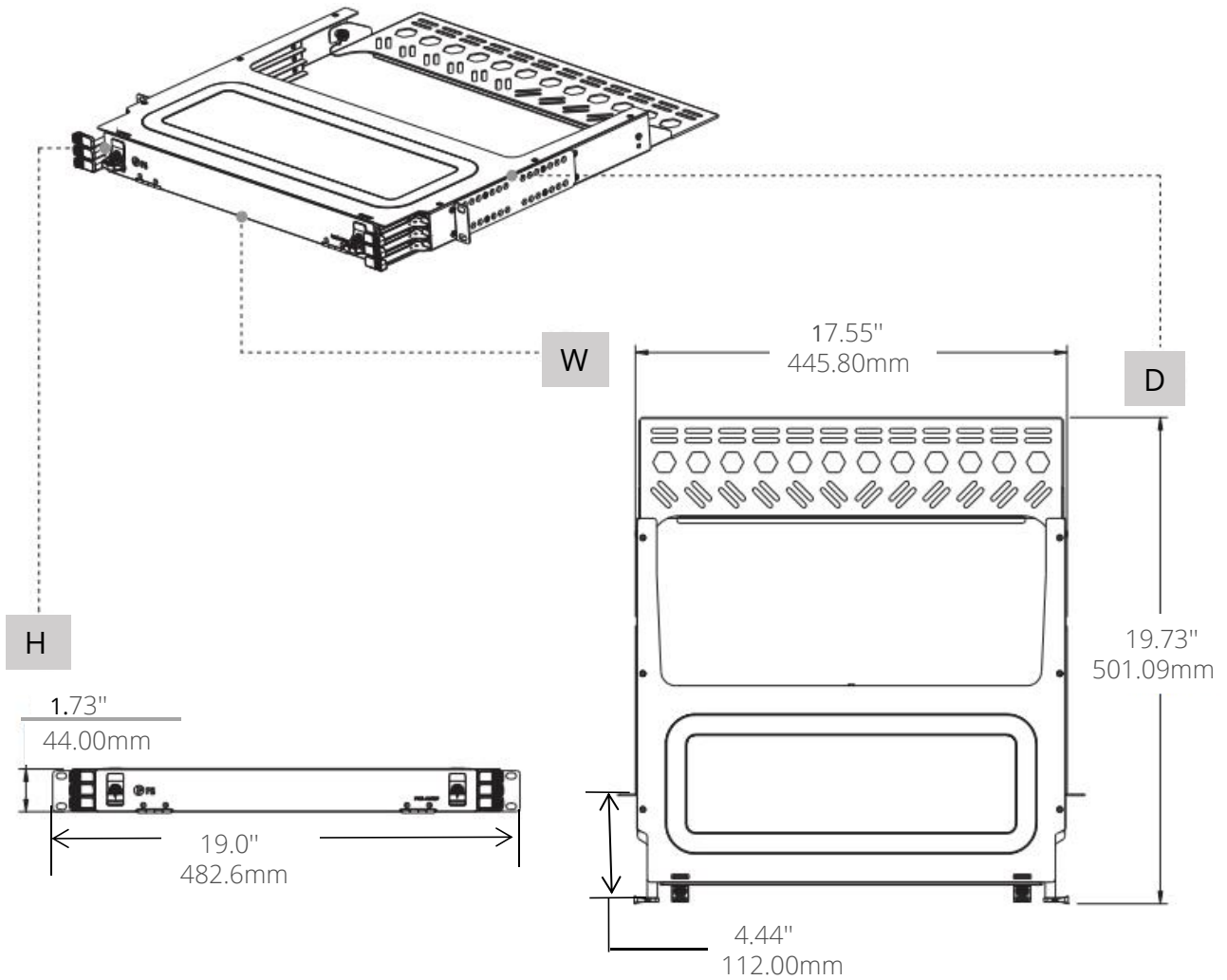
## Standards Compliance

- RoHS Compliant
- ISO9001

## Assembly Structure Illustration



## Mechanical Drawing



1U Rack Mount Ultra HD Fiber Enclosure without fiber cassettes or adapter panels or blanking panels. This Rack Mount Fiber Enclosure is compatible with FS.COM FHX series fiber cassettes or adapter panels or blanking panels. Each 1U Rack Mount Fiber Enclosure can accommodate a maximum of 144 fibers for LC connector FHX cassettes or adapter panels while 576 fibers for MPO/MTP connector FHX cassettes.

More details about Fiber Enclosure, welcome to contact us at [sales@fs.com](mailto:sales@fs.com).

# Fiber Enclosure Matching Products List

## I. FHX MTP-12 MPO/MTP Cassettes

Description	Max Capacity	Fiber Count	ID No.
MTP-12 Ultra High Density MPO/MTP Cassette, OS2	12	144 F	#68915 - Type A #68918 - Type AF
MTP-12 Ultra High Density MPO/MTP Cassette, OM4	12	144 F	#68916 - Type A #68919 - Type AF

## II. FHX MPO/MTP Conversion Cassette

Description	Max Capacity	Fiber Count	ID No.
3x MTP-8 to 2x MTP-12, 24 Fibers OM4 Ultra High Density MPO/MTP Conversion Cassette	12	288 F	#69031 - OM4
2x MTP-24 to 4x MTP-12, 48 Fibers Ultra High Density MPO/MTP Conversion Cassette	12	576 F	#69193 - OM4

## III. FHX Splice Cassettes

Description	Max Capacity	Fiber Count	ID No.
Ultra High Density Splice Cassette, 12 Fibers, OS2	12	144 F	#72135 - LC UPC #73095 - LC APC
Ultra High Density Splice Cassette, 12 Fibers, OM4	12	144 F	#72136 - LC UPC

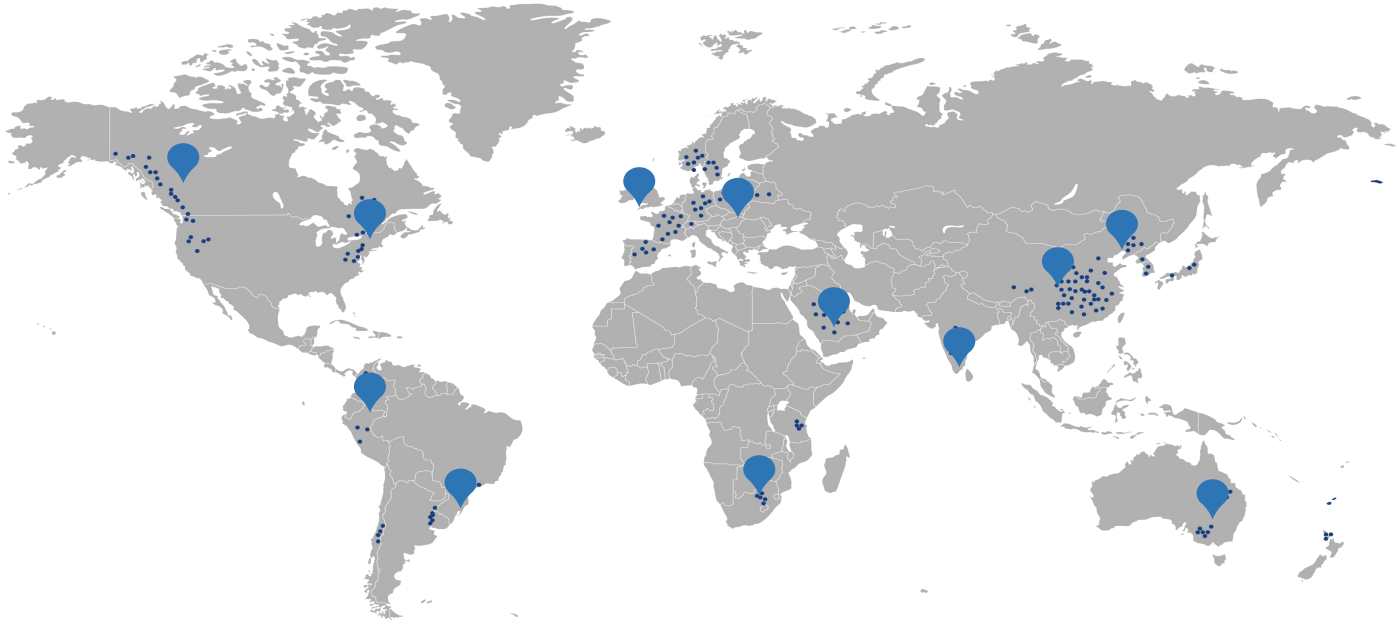
## Fiber Enclosure Matching Products List

### IV. FHX TAP Cassettes

Description	Max Capacity	Fiber Count	ID No.
12 Fibers 3 LC Quad, 50/50 Split Ratio (Live/Tap)	12	144 F	#73674 - OS2 #73675 - OM4
12 Fibers 3 LC Quad, 50/50 Split Ratio (Live/Tap), OS2	12	144 F	#73676
12 Fibers 3 LC Quad to 2x MTP Male, 70/30 Split Ratio (Live/Tap), OS2	12	144 F	#73677
8 Fibers 2 LC Quad, 50/50 Split Ratio (Live/Tap), BIDI, OM4	12	96 F	#73678
12 Fibers 3x MTP Male, 50/50 Split Ratio (Live/Tap), OM4	12	144 F	#73679

### V. FHX Ultra Adapter Panels -LC/SC/MTP Connetors

Description	Max Capacity	Fiber Count	ID No.
Ultra High Density Fiber Adapter Panel with 3 LC Quad Adapters	12	144 F	#68962- OS2 #68964- OM3/OM4
Ultra High Density Fiber Adapter Panel with 3 SC Duplex Adapters, OS2	12	144 F	#68965 - SC UPC #68966 - SC APC
Ultra High Density Fiber Adapter Panel with 6 MTP(12/24F) Key Up to Key Down Adapters	12	144 F	#68968
Ultra High Density Fiber Adapter Panel with 6 MTP(12/24F) Key Up to Key Up Adapters	12	144 F	#68969



FS.COM business radiate worldwide, if you need more efficient solutions for Data Center, Optical Transport Network, and Enterprise Network, please contact us at [sales@fs.com](mailto:sales@fs.com)

For more information visit [www.fs.com](http://www.fs.com)

---



All statements, technical information, and recommendations related to the products here are based upon information believed to be reliable or accurate. However, the accuracy or completeness thereof is not guaranteed, and no responsibility is assumed for any inaccuracies. Please contact FS for more information.

Copyright © 2009-2017 FS.COM All Rights Reserved.