

# FHD Multimedia Modular Panel

Allows customization of installation for multimedia applications requiring integration of fiber optic and copper cables.



## Description

FHD Multimedia Copper / Fiber Modular Panel accepts either and/or both copper jacks and fiber adapters. And with its standardized dimensions, it is suitable for easy snap-in mounting of six keystone jacks or fiber optic adapters. Compatible with FHD series fiber enclosures, it offers integrated cable management features, reduces required rack space and provides future proofing in system design.

## Standards Compliance

- TIA/EIA-568-C.3
- RoHS Compliant
- ISO9001 Certificate
- Reach Compliant

## Features

- Accepts either and/or both copper jacks and fiber adapters.
- Reduces required rack space in 1U space.
- Made of SPCC steel, solid and durable.
- Clear numbering helps identify cable runs.
- Toolless assembly reduce installation time.
- Up to 48 fibers or 24 keystone jacks in 1U space.
- Fits with FHD series enclosures.

## Application

FHD series fiber optic adapter panels (FAPs) are used with FHD Rack mount and Wall Mount Enclosures. Deploy medium to high-density fiber optic network applications as specified in the data center cabling standard for cross connects in main distribution, horizontal distribution, and equipment distribution areas.

## Product Specifications

### I. Product Constructions

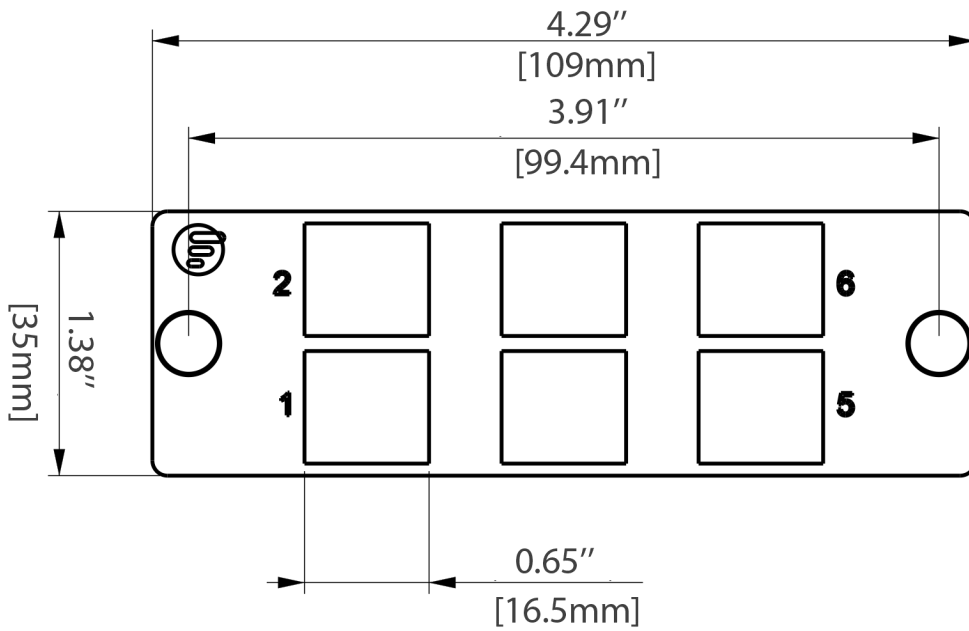
<b>No.of Port</b>	6
<b>Insert Style</b>	Standard Keystone, LC Duplex and SC/MTP® Simplex Adapter
<b>Color</b>	Black
<b>Material</b>	1.5mm SPCC (Black Coating)
<b>Dimensions (HxW)</b>	1.38"x4.29" (35x109mm)
<b>Included Accessories</b>	6x Plastic Clips
<b>Application</b>	Matching for FHD Series Enclosures

### II. Insert Capacity

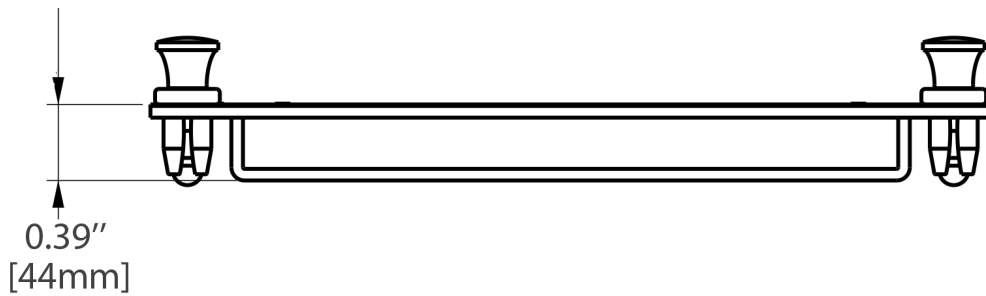
<b>Insert Adapter/Keystone Jack</b>	<b>Capacity/1U</b>
LC Duplex	48 Fibers
SC Simplex	24 Fibers
MTP® Simplex	24 Ports
Cat5e/6/6a	24 Ports

### Technical Drawing

Front View



Top View



Dimensions are in inches. (Dimensions in parentheses are in millimeters).

## Matching Products List

### I. Fiber Optic Adapter

#### • LC-LC Duplex Adapter

Fiber Mode	OS2		OM1/OM2	OM3	OM4
Polish Type	UPC	APC	UPC	UPC	UPC
With Flange	#76105	#76114	#63011	#76116	#68523
Without Flange	#76104	#76111	#63000	#76109	#76108

#### • SC-SC Simplex Adapter

Fiber Mode	OS2		OM1/OM2	OM3	OM4
Polish Type	UPC	APC	UPC	UPC	UPC
With Flange	#76112	#76106	#62816	#62817	#68520

#### • MTP®/MPO-MTP®/MPO Adapter

Keyway	Up-Up	Up-Down
With Flange	#48508	#12072

### II. Couplers & Jacks

#### • Inline Couplers

Product Type	Cat5e RJ45				Cat6 RJ45							Cat6a RJ45
	#42032 (Gray)	#42034 (Blue)	#10887 (Black)	#41614 (White)	#41486 (Gray)	#41591 (Blue)	#13660 (Black)	#41438 (White)	#41443 (Red)	#41308 (Green)	#41484 (Yellow)	
Unshielded												-
Shielded	#41593				#41312							#118905

#### • Keystone Jacks

Product Type	Cat5e RJ45	Cat6 RJ45	Cat6a RJ45
Unshielded	#72817	#72818	-
Shielded	-	#41313	#72285

### III. Fiber Optic Enclosure

Description	#ID	Part Number	Capacity	Fiber Count
FHD 1U Slide-out Rack Mount Enclosure	#70361	FHD-1UFCE	4 Ports	144F
FHD 2U Slide-out Rack Mount Enclosure	#73205	FHD-2UFCE	8 Ports	288F
FHD 4U Slide-out Rack Mount Enclosure	#73206	FHD-4UFCE	12 Ports	432F
FHD 1U Fixed Rack Mount Enclosure	#96427	FHD-1UFMT-N	4 Ports	144F
FHD 1U Modular Enclosure Panel	#70419	FHD-1U-CMP400	4 Ports	144F

### IV. Cable Management

#ID	Description
#72910	1U 19" Cable Management Panel with 5 Detachable Plastic D-rings and Lacing Bar
#29038	1U Plastic Single Sided Horizontal Cable Manager with Finger Duct
#29034	1U Metal Horizontal Cable Manager with 5 D-rings
#64186	5U Plastic Vertical Cable Manager with Bend Radius Finger



 <https://www.fs.com>



The information in this document is subject to change without notice. FS has made all efforts to ensure the accuracy of the information, but all information in this document does not constitute any kind of warranty.