

Customized OTDR (Optical Time Domain Reflectometer)

Plug-in Card Type for FMT Multi-Service Transport System
Cable Monitoring System for WDM Networks



Description

FS OTDR is designed for remote fault detection and isolation, fiber level fault monitoring, span level fault monitoring and long span monitoring, which can measure fiber length, optical fiber transmission attenuation, splice attenuation and fault location, etc.

The ability to quickly identify and isolate network outages is a critical function for any network operator. With the OTDR module, optical fiber cable monitoring, fiber optic cable construction and maintenance are possible.

Features

- Remote fault detection and isolation
- Support fiber level fault, span level fault and long span monitoring
- High dynamic range combined with high resolution for highly accurate fiber characterization

Application

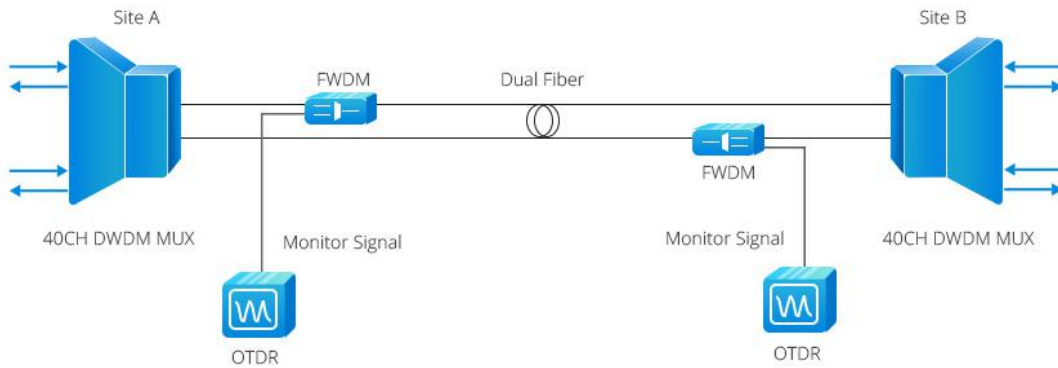
- Cable monitoring and maintaining system
- Optical fiber, cable, optical passive device loss measurement

Product Specifications

Dynamic Range	30~42dB	Wavelength (optional)	1550/1625 (±20 nm)
Optical Fiber	9/125 μm SMF	Min Sampling Interval	0.25m
Event Dead Zone	≤2m	Attenuation Dead Zone	≤10m
Connector	SC/UPC	Joint Converter	LC/UPC
Maximum Sampling	32k	Management	Monitor Cable

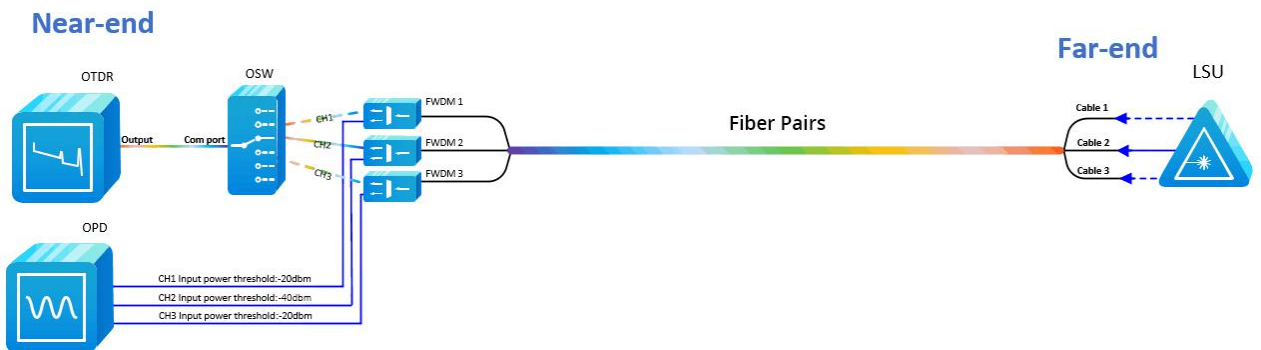
Embedded OTDR Modules in DWDM Networks

The live fiber monitoring solution allows to secure the fiber network by identifying fiber procedures (so-called tapping). Monitoring is achieved through ongoing OTDR measurements (Optical Time Domain Reflectometer) in live operation in DWDM networks.



Monitor Online System for Optical Cable

FS cable monitoring system is a centralized server solution that manages the status of cable and fiber network, as well as any fiber faults or performance degradation in your network. It consists of OPD, OTDR, OSW and LSU cards, and these cards are highly integrated via FS management platforms.

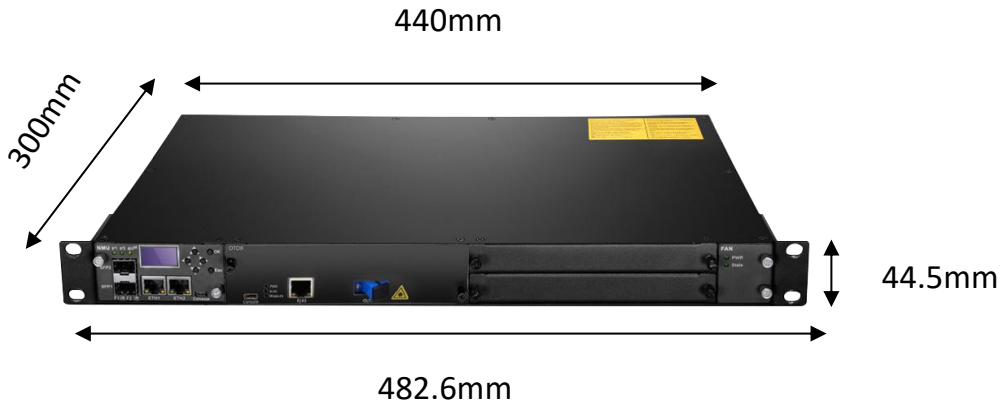


Dimensions

4-slot 1U managed chassis, supports up to 4x multiplexer/EDFA/OEO/OLP card with accessories;

- Width: 482.6mm (19")
- Height: 44.50mm (1.75")
- Depth: 300mm (11.81")

OTDR plug-in card occupies two slots.



Ordering Information (100 GHz ITU DWDM Grid)

Category	ID	Description
OTDR	#73281	Customized OTDR (Optical Time Domain Reflectometer), Pluggable Module
OSW	#73287	1x16 Multi-Channel Opto-Mechanical Optical Switches with Adjustable Channels Control, Pluggable Module
OPD	#78568	4 Channels 1550nm OPD (AIU) Optical Power Detection, LC/UPC, Pluggable Module
OPD	#70941	Customized OPD (AIU) Optical Power Detection, Pluggable Module
LSU	#78469	Customized LSU Light Source Unit, Pluggable Module
FWDM	#65811	Customized Filter Wavelength Division Multiplexer FTTH/FTTX 1310/1550/1490nm Fwdm Filter WDM
Chassis	#39214	1U Managed Chassis Unloaded, Supports up to 4x EDFA/OEO/OLP Module with Accessories



 <https://www.fs.com>



All statements, technical information, and recommendations related to the products here are based upon information believed to be reliable or accurate. However, the accuracy or completeness thereof is not guaranteed, and no responsibility is assumed for any inaccuracies. Please contact FS for more information.