

FS Wireless Access Point

733Mbps 2x2 MIMO Dual-Band Wireless Access Point



Overview

FS-AP733C is an 802.11n/ac Access Point (AP) that supports 2x2 MIMO and two spatial streams. With built-in smart antennas, the AP provides a wide coverage range and supports a maximum rate of 733Mbps.

The FS-AP733C is applicable to small-and medium-sized enterprises and commercial environments such as airports, stations, stadiums, cafes, and entertainment centers.

Benefits

- IEEE 802.11a/b/g/n/ac, up to 733Mbps
- Built-in 2 * 2 MIMO antenna
- Virtual AP technology, up to 32 virtual SSID
- IEEE 802.3af/at PoE
- FAT / FIT AP

Key Features

Easy Design and Flexible Deployment

- **Refined appearance** Make installation on a wall or ceiling surface simple and fast, while the incorporation of Power over Ethernet (PoE) support makes deployment effortless and flexible.
- **Wireless intrusion detection and wireless intrusion prevention** Enhance security management of the entire wireless network.

Super-fast Internet Experience

- **802.11ac high-speed access** Deliver services simultaneously on the 2.4 GHz and 5 GHz bands, with a device rate of up to 733Mbps.
- **Intelligent HAP working mode** Achieve high availability of wireless networks, so that wireless users will never drop.
- **Dual OS backup mechanism** Improve the reliability of equipment in long-term operation in harsh environments.
- **Intelligent terminal identification and BYOD** Provide users with a smarter wireless experience.
- **Layer 2 / Layer 3 seamless roaming** Eliminate the risk of disrupted connections when wireless devices hop between Aps.
- **Intelligent load balancing** Increase user average bandwidth and QoS and improve connection availability.
- **Intelligent radio frequency** Reduce wireless interference and ensure smooth communication.
- **Wireless user management** Each AP supports up to 16 WLANs, enabling detailed management of multi-level and multi-service for wireless users.
- **Automatic authentication** Improve user experience. After the first manual portal authentication, it will be authenticated automatically. The terminal is better adapted to most WLAN terminals and does not need to be adapted to the client.
- **Visitor authentication** Separate guest WLANs and employee WLANs for secure isolation between networks.
- **Real-time spectrum protection** Automatically identify sources of interference, identify problematic wireless devices, ensure wireless networks perform at their best.

Flexible Network Deployment

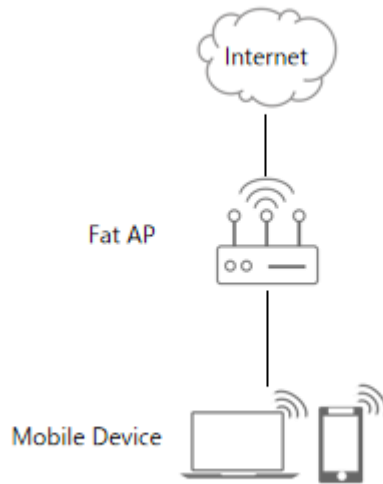
Comprehensive Security

- **Support user isolation policy** Achieve a more secure wireless network application.
- **Plug and play** Plug-and-play with the wireless controller in FIT mode, no configuration is required on the AP.
- **Perfect remote management** Wireless APs can be centrally processed by wireless controllers, improving the security and management efficiency of wireless networks.
- **FAT/FIT AP** Flexibility to switch between Fat and Fit modes according to network planning needs.

Typical Networking

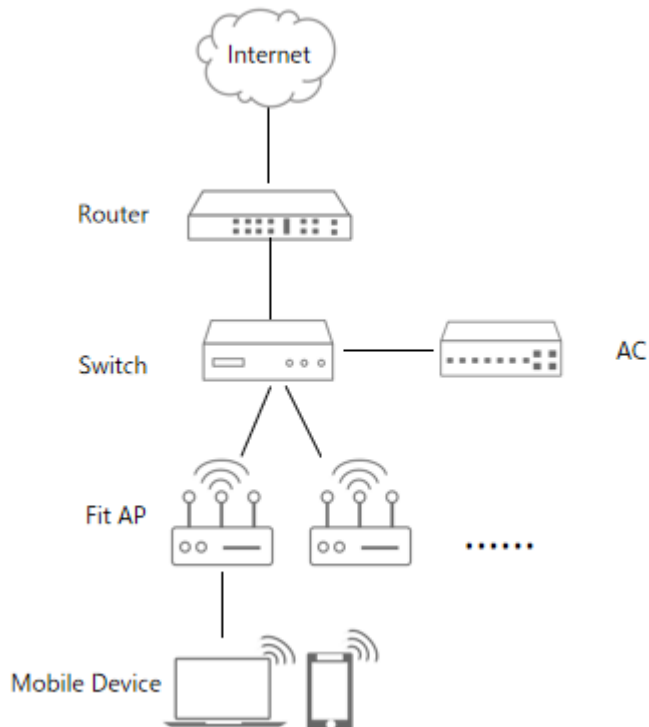
FAT AP

In the below networking, the FS-AP733C works as a fat AP to complete user access, authentication, data security, service forwarding, and QoS.



FIT AP

In the below networking, the FS-AP733C works as a fit AP to bearer bridge forwarding function, and the functions of user access, AP online, authentication, routing, AP management, security protocol, and QoS are completed by the AC.



Hardware Specification

System	Description
Wired Interfaces	2*10/100Mbps Ethernet (RJ-45) ports
Antenna Type	Omnidirectional Antennas
MIMO	2x2
Antenna Gain	2.4GHz: 4dBi, 5GHz: 5dBi
Power Supply	DC 12V/1.5A, IEEE 802.3af/at PoE
Environment	Indoor
Dimensions (H x W x D)	1.18"x6.49"x6.49"(30x165x165mm)
Power Consumption	≤15W
Transmit Power	10~23dBm
Receive Sensitivity	-91dBm
Operating Temperature	-10~50°C
Operating Relative humidity	5% to 95% (non-condensing)
Storage Temperature	-40°C~70°C
Storage Humidity	5% to 95% (non-condensing)

Software Specification

System	Description	
WLAN Features	Wireless	IEEE 802.11a/b/g/n/ac
	Data Transfer Rate	2.4GHz: 300Mbps, 5GHz: 433Mbps
	Wireless Frequency	Dual-band 2.4GHz and 5GHz
	Maximum Number of Users	256
	Multiple SSIDs	32
	FAT/FIT AP	Yes

System	Description	
WLAN Features	Dynamic Channel Allocation	Yes
	Transmit Power Control	Yes
	Broadcast SSID	Yes
	RTS/CTS	Yes
	Link Integrity Check	Yes
	Dynamic Channel Allocation	Yes
	11N	40MHz
80MHz		Yes
A-MPDU		Yes
Maximum Likelihood Demodulation (MLD)		Yes
Maximal Ratio Combining (MRC)		Yes
Spatial-Time Block Coding (STBC)		Yes
Low-density Parity-check (LDPC)		Yes
Wireless Security	64/128WEP, TKIP, CCMP	Yes
	WPA-PSK, WPA2-PSK, WPA, WPA2	Yes
	WAPI	Yes
	Portal Authentication	Yes
	MAC Address Authentication	Yes
	LDAP authentication	Yes
	MAC Address Filtering	Yes
	WIDS/WIPS, Rogue and Valid AP Classification	Yes
	Real-time Spectrum Protection	Yes
	Forwarding Security	Yes
	User Isolation	Yes
	Network Admission Control	Yes
	Access Control Lists (ACLs) IPv4/IPv6	Yes

System	Description	
Network Features	WAN Uplink	Yes
	VLAN	Yes
	Spanning Tree	Yes
	Routing Protocol	Yes
	Local Forwarding	Yes
	Centralized Forwarding	Yes
	CAPWAP Tunnels	Yes
	Uplink Integrity Detection	Yes
	CAPWAP Link Protection	Yes
	DHCP Server	Yes
	DHCP Snooping	Yes
	Fast Roaming	Yes
	QoS Features	WMM
WMM Power Save		Yes
Priority Mapping		Yes
QoS Policy-map		Yes
Load Balancing		Yes
User Limit		Yes
Bandwidth Throttling		Yes
Smart HAP Working Mode		Yes
Intelligent Terminal Identification		Yes
BYOD		Yes

System	Description	
Maintenance Features	AC Centralized Management	Yes
	SSH, Telnet and Web	Yes
	HTTP/HTTPS/CLI	Yes
	SNMP	Yes
	Alarm	Yes
	Troubleshooting	Yes
	NTP Client	Yes
	Fat/Fit Mode Switching	Yes
	AP Online Upgrade	Yes
	Remote Probe Analysis	Yes
	Watchdog	Yes

Ordering Information

ID	Description
84026	733Mbps 2x2 MIMO Dual-Band Wireless Access Point
84027	1167Mbps 2x2 MU-MIMO Dual-Band Gigabit Wireless Access Point
84028	3000Mbps 4x4 MU-MIMO Tri-Band Gigabit Wireless Access Point
84029	Wireless Access Controller with 128 AP License

Service and Support

Adhering to an ideal of redefining service and products supply channels of fiber optic communication industry, FS is committed to solution design, product supply, and service support for global data center, cloud computing, metro network, access network and wireless network since 2009.

With the multiple-warehouse system built and increasing inventory in key regions, now FS can confidently provide all our customers around the world with faster shipping service, 24-hour technical support & customer service. And we are still dedicated to expanding and improving these to serve every single customer better.



 <https://www.fs.com>



All statements, technical information, and recommendations related to the products here are based upon information believed to be reliable or accurate. However, the accuracy or completeness thereof is not guaranteed, and no responsibility is assumed for any inaccuracies. Please contact FS for more information.