

45U 800x1170mm HR800-Series Network & Server Cabinet

As a server cabinet, suggesting distance between the front rail and rear rail is 850mm.
As a network cabinet, suggesting distance between the front rail and rear rail is 700mm.



Premium Multi-Use Cabinet for Data Center

HR800-series cabinet is the ideal solution for secure high-density server and networking applications in IT environments, which is packed with features designed to simplify rack equipment installations and rack equipment maintenance: top-panel cable routing ports, perforated doors to promote efficient airflow, adjustable mounting rails and more.

Key Features

1. Perforated Door

Provide massive ventilation for server and networking equipment.



2. Top Panel

Easy access for overhead cabling with six brush-covered cable openings.



3. Side Panel

Locking removable side panels improve ease of installation.



4. Mounting Rail

Vertical mounting rails can be adjusted in half-inch (12.7mm) increments.



5. Grounding System

Grounded to the cabinet frame and protect people and device.



6. Casters & Leveling Feet

Allow cabinet roll to the final installation location and adjust and level it on uneven surfaces.



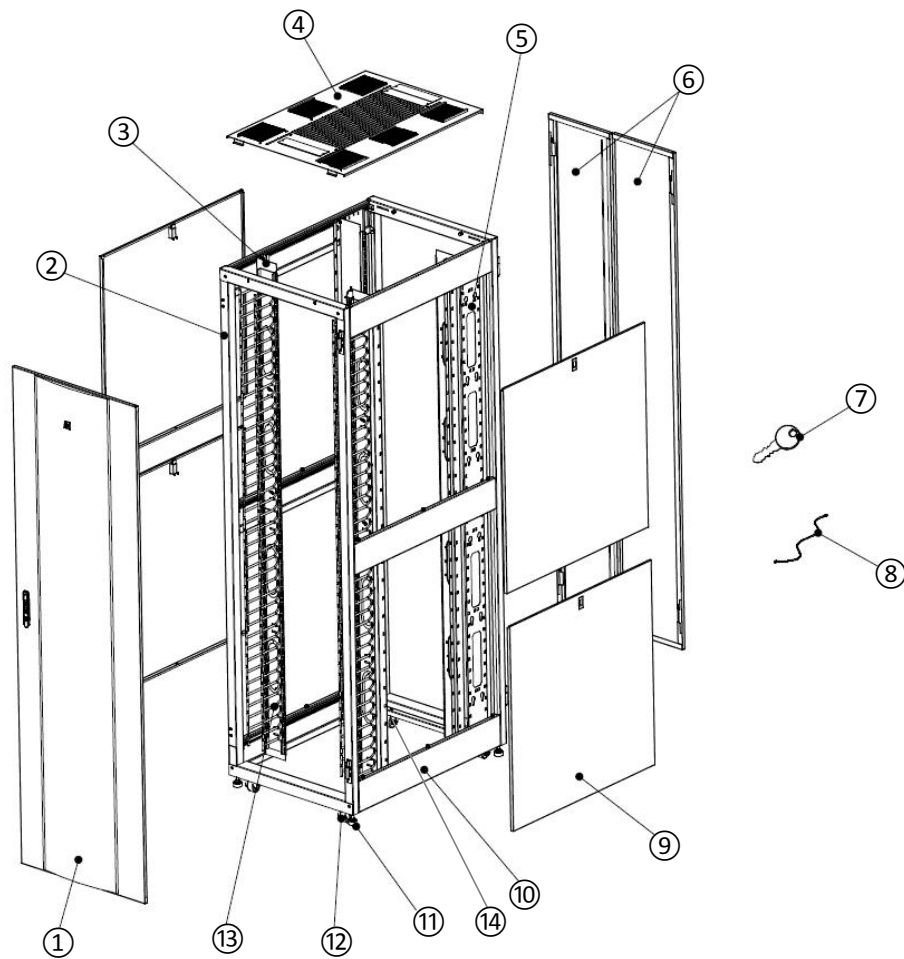
Technical Specification

Product Type	Multi-Use Cabinet
No. of Rack Spaces	45U
Maximum Height	84.13" (2137mm)
Maximum Width	31.50" (800mm)
Maximum Depth	46.06" (1170mm)
Maximum Device Depth (with PDU Bracket)	33.46" (850mm)
Minimum Device Depth	7.48" (190mm)
Rack-Mount Width	19.02" (483mm)
Color	Black
Front Door	Perforated
Rear Door	Split Perforated
Static Load on Leveling Feet	3307lbs (1500kg)
Rolling Load on Casters	2205lbs (1000kg)
PDU Bracket	2pcs
Vertical Cable Manager	1 Set (2pcs)
19" EIA Square Mounting Holes	√
Adjustable Mounting Depth	√
Grounding Wire	Front and back door frames, top panel and side panels

Compliant

ANSI/EIA RS-310-D, IEC297-2, DIN 41491;
PART1, DIN41494; PART 7, GB/T3047.2-92, ETSI Standard

Assembly Structure Illustration

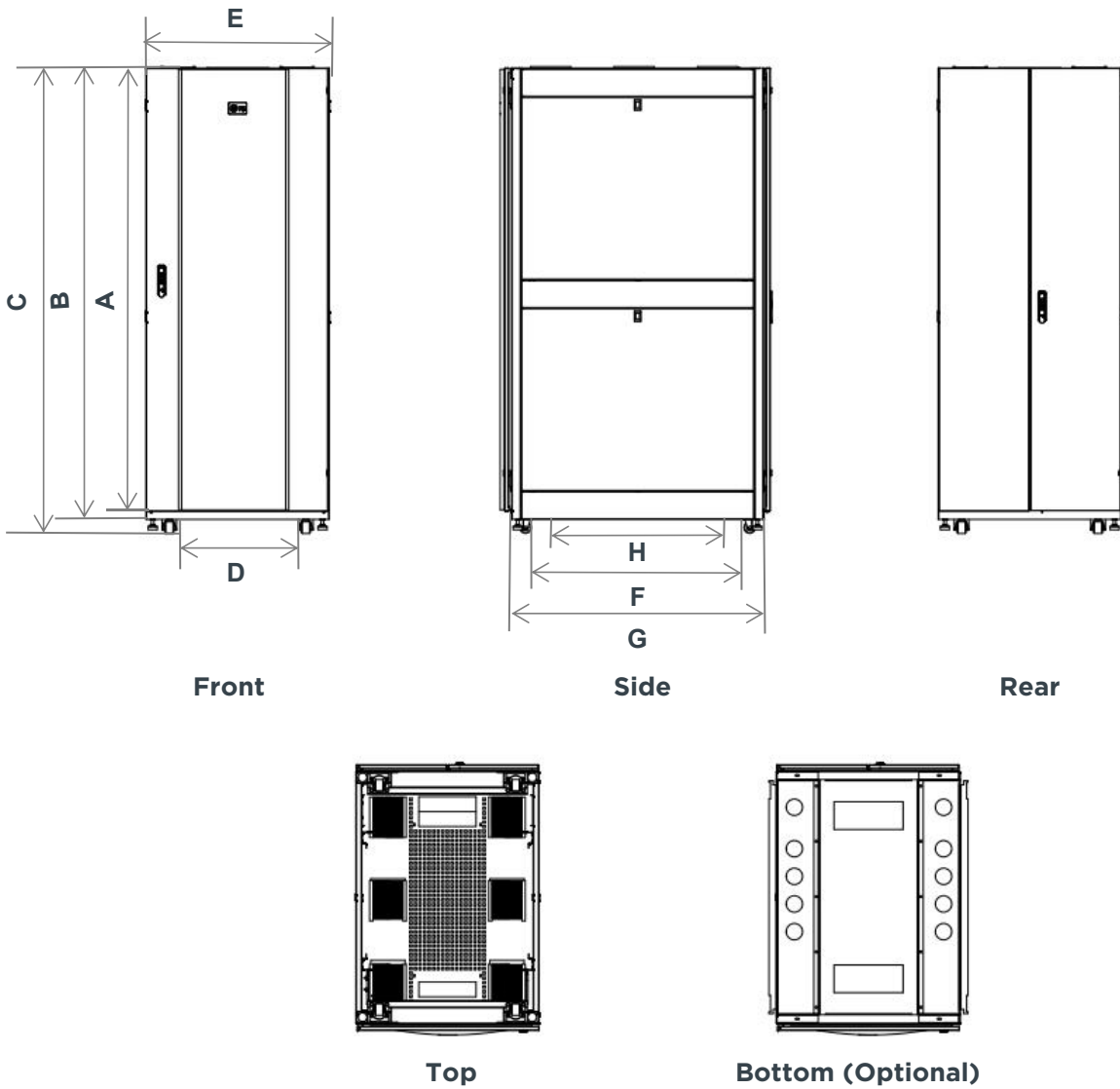


- | | |
|-----------------------------------|-------------------------------|
| ① Perforated Front Door (x1) | ⑧ Grounding Wire (x8) |
| ② Welded Frame (x2) | ⑨ Lockable Side Panel (x4) |
| ③ Adjustable Mounting Rail (x4) | ⑩ Beam (x6) |
| ④ Top Panel (x1) | ⑪ Leveling Feet (x4) |
| ⑤ PDU Bracket (x2) | ⑫ Rolling Caster (x4) |
| ⑥ Split Rear Door (x1) | ⑬ Vertical Cable Manager (x2) |
| ⑦ Swing Handle Lock with Key (x2) | ⑭ Stabilization Bracket (x4) |

Accessories

- Allen Wrench (x1)
- Phillips-head Screwdriver (x1)
- Hex Screwdriver Bit (x1)
- M6 Screw, Nut and Cup Washer (x50)
- Phillips-head Screwdriver Bit (x1)
- Assembly Instruction (x1)

Assembly Structure Illustration



Height	
A -Rail Height	81.18" (2062mm)
B -Height (Overall)	82.68" (2100mm)
C -Height (With Casters)	84.13" (2137mm)
Width	
D -Rail Width	19.02" (483mm)
E -Width (Overall)	31.50" (800mm)
Depth	
F -Frame Depth	43.31" (1100mm)
G -Depth (Overall)	46.06" (1170mm)
H - Maximum Rail Depth	37.40" (950mm)



 <https://www.fs.com>



The information in this document is subject to change without notice. FS has made all efforts to ensure the accuracy of the information, but all information in this document does not constitute any kind of warranty.