

2U Slide-Out Fiber Enclosure Unloaded #51610

FHD-2UFCE

Description

Fiber Rack Mount Enclosure are available in 1U, 2U and 4U sizes (FHD-1UFCE, FHD-2UFCE, FHD-4UFCE) and mount in 19-in racks or cabinets. Designed for the LAN and data center environment, it serves as protection function for fiber management.

FHD-2UFCE makes access to the connections easy via the tray that can be released and slide out of the front or rear of the enclosure. Also increased access between ports enable the ease of moves, adds, and changes for fiber optic network.



Technical Information

- Net Weight: 7.6KG
- Dimensions: 88mm(H) x 446mm(W) x 431.2mm(D)
- Material: Steel with black powder coating
- Modular Design: 8x FAPs or 8x MPO/MTP Cassettes can be loaded, up to 192 fibers
- Accessories: Mounting hardware and accessory kit with labels included

Application

- High Density Fiber Applications
- Data Centers, Equipment Rooms
- Main Distribution Areas(MDA)
- Horizontal Distribution Areas(HDA)

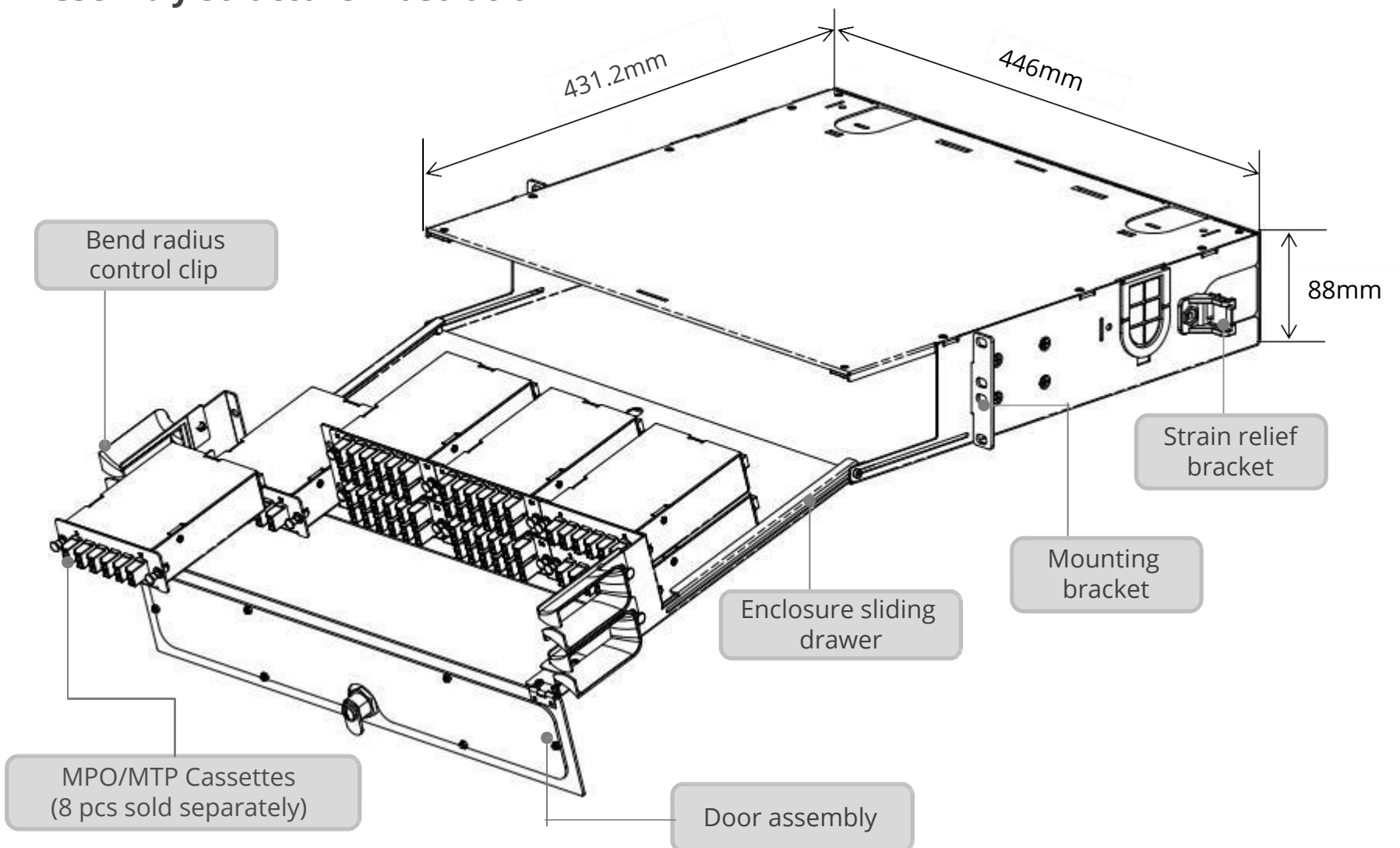
Notes:

The enclosure can also serve as a transition point for pre-terminated MTP interconnect or trunk cables patched to active equipment in data center server cabinets or LAN switch racks.

Key Features and Benefits

Features	Benefits
<ul style="list-style-type: none"> • Mount to standard EIA 19" rack rails, holds up to 8 FAPs or 8 MPO/MTP Cassettes • Sliding drawer is ideal for panel access management • Integral cable management • Interconnect and cross-connect capability 	<ul style="list-style-type: none"> • Fewer rack units saving valuable space for higher patch field density • Provide flexibility solution for rapid-deploy installation and patching application • Ensure signal integrity, proper cable routing, bend radius control and cable protection. • Ideal for field connectivity

Assembly Structure Illustration



Fiber Enclosure Loading List

FHD MPO/MTP Cassettes Description	Fiber Count FHD-1UFCE	Fiber Count FHD-2UFCE	Fiber Count FHD-4UFCE	FHD Cassettes ID No.
12 Fibers 1x MTP Male to 6x LC/UPC Duplex, Type A	48	96	144	#57017 - OM4 #57016 - OS2
12 Fibers 1x MTP Male to 6x LC/UPC Duplex, Type AF	48	96	144	#57038 - OM4 #57037 - OS2
24 Fibers 2x MTP Male to 12x LC/UPC Duplex, Type A	96	192	288	#57342 - OM4 #57341 - OS2
24 Fibers 2x MTP Male to 12x LC/UPC Duplex, Type AF	96	192	288	#68541 - OM4 #68540 - OS2
24 Fibers 1x MTP Male to 12x LC/UPC Duplex, Type A	96	192	288	#57024 - OM4 #57023 - OS2
24 Fibers 1x MTP Male to 12x LC/UPC Duplex, Type AF	96	192	288	#68550 - OM4 #68549 - OS2

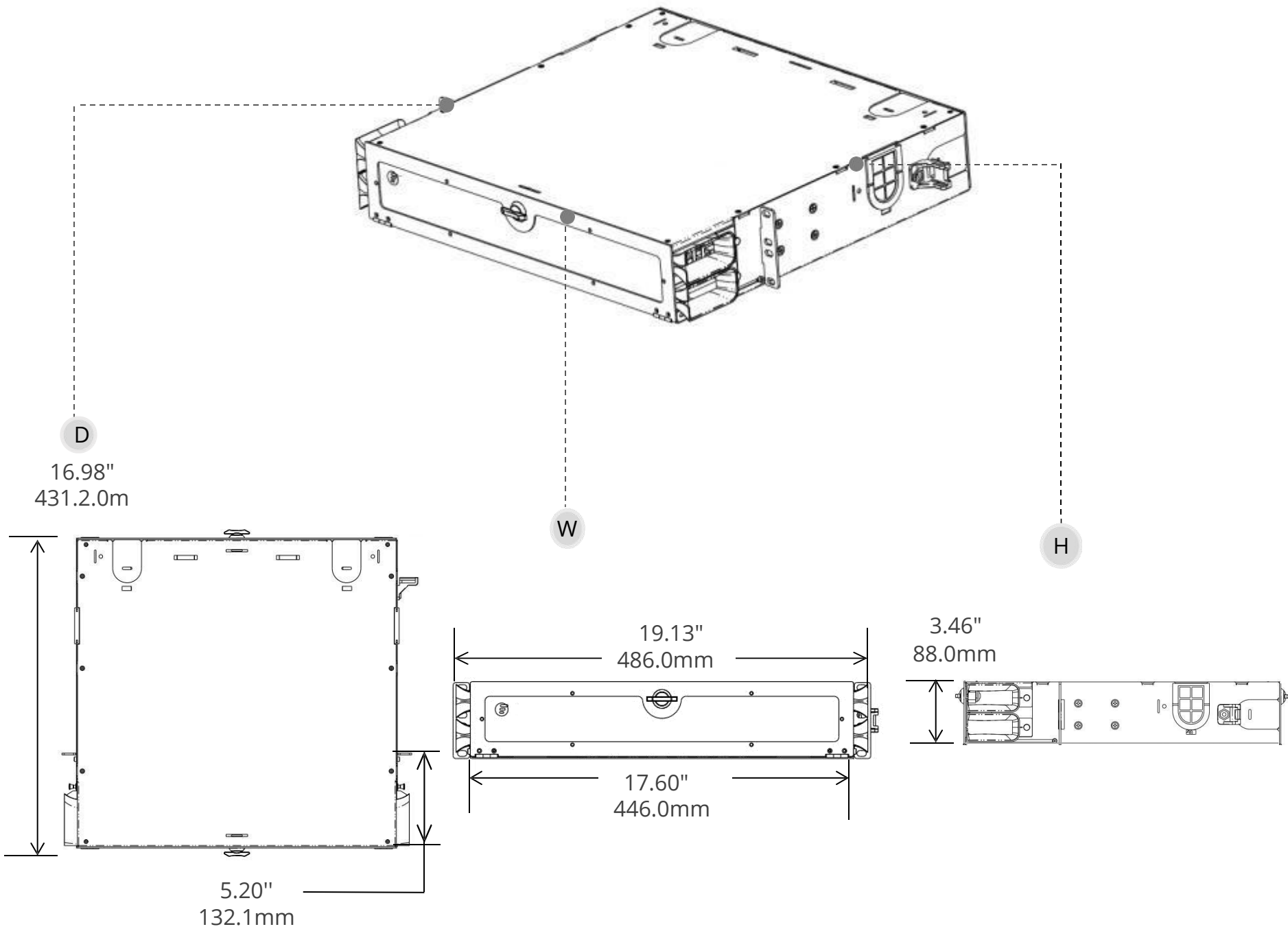
Fiber Adapter Panel Description	FAP Qty FHD-1UFCE	FAP Qty FHD-2UFCE	FAP Qty FHD-4UFCE	FAPs Panel ID No.
12 Fibers FAP with 6 SC Duplex Adapters	4	8	12	#51284 - OM3/OM4 #35484 - OS2
24 Fibers FAP with 12 LC Duplex Adapters	4	8	12	#41998 - OM3/OM4 #35488 - OS2

Splice Tray Description	FHD-1UFCE	FHD-2UFCE	FHD-4UFCE	ID No.
Fiber Optical Splice Tray for FHD Fiber Enclosure	4	8	12	#64246 - 24Fibers

Notes:

1. FHD Cassette Dimension(W*H*D): 109*35*118mm; FHD FAP Dimension(W*H): 109*35mm.
2. Above HD MTP Cassettes are elite insertion loss, the standard insertion loss can be provided by FS.COM. (Standard: 0.6dB-MMF / 0.7dB-SMF; Elite: 0.35dB)
3. FC, ST, E2000 Cassette and adapters also can be customized, welcome to contact sales@fs.com.

Mechanical Drawing



2U Rack Mount Fiber Enclosure High Density Series without fiber cassettes or adapter panels. This Rack Mount Fiber Enclosure is compatible with Fiberstore high density series optimized FHD fiber cassettes or adapter panels. Each 2U Rack Mount Fiber Enclosure can accommodate a maximum of 192 fiber ports.

More details about Fiber Enclosure, welcome to contact us at sales@fs.com.

Selection Guides and Order Information

Data Center and Pre-terminated Applications

ID No.	Description
#70361	1U Slide-Out HD Fiber Enclosure Unloaded, holds up to 4x FAPs Fiber Adapter Panels or 4x HD MPO/MTP Cassettes; 96 Fibers [44mm(H)x448mm(W)x432.8mm(D)]
#51610	2U Slide-Out HD Fiber Enclosure Unloaded, holds up to 8x FAPs Fiber Adapter Panels or 8x HD MPO/MTP Cassettes; 192 Fibers [88mm(H)x446mm(W)x431.2mm(D)]
#73206	Upgrading 4U Rack Mount HD Fiber Enclosure Unloaded, Holds up to 12x Fiber Adapter Panels or 12x MPO/MTP Cassettes; 288 Fibers [173mm(H)x442mm(W)x409.8mm(D)]

Basic Applications

ID No.	Description
#34684	1U Rack Mount Fiber Enclosure Unloaded, holds up to 4 FAPs or 4 HD MTP MPO Cassette; 96 Fibers [44mm(H)x430mm(W)x281.9mm(D)]

Note:

Above all of these enclosures are standard size, other size requirements, please kindly contact us at sales@fs.com.



FS.COM business radiate worldwide, if you need more efficient solutions for Data Center, Optical Transport Network, and Enterprise Network, please contact us at sales@fs.com

For more information visit www.fs.com

All statements, technical information, and recommendations related to the products here are based upon information believed to be reliable or accurate. However, the accuracy or completeness thereof is not guaranteed, and no responsibility is assumed for any inaccuracies. Please contact FS for more information.