

1U Slide-Out Rack Mount LGX Fiber Enclosure unloaded

Data Center & Cloud Computing Infrastructure Solutions



Overview

An integrated unit for fiber management a protection function. Fiber Rack-Mount Enclosure shall be designed to house, organize and manage fiber terminations, connections, and patching in all applications.

Allows for easy field termination of connectors or installation of pre-terminated solutions, provide increased access between ports, thus enabling the ease of moves, adds, and changes for improved reliability and cost savings.

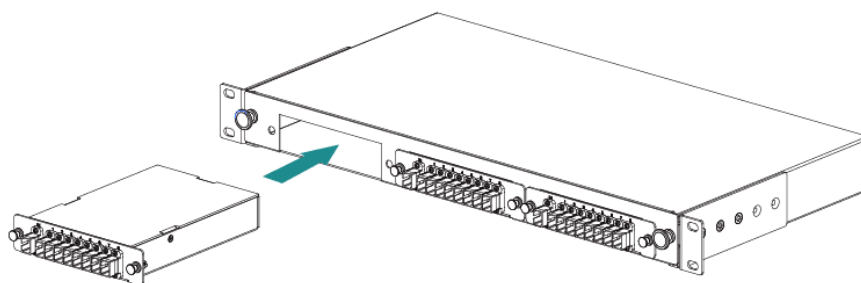
Features

- Mount to standard EIA 19" rack rails, holds up 3 pieces of PLC LGX Cassettes
- Sliding drawer is ideal for panel access management
- Integral cable management
- Interconnect and cross-connect capability
- Fewer rack units saving valuable space for higher patch field density
- Ensure signal integrity, proper cable routing, bend radius control and cable protection
- Ideal for field connectivity

Technical Specification

Parameter	Value
Max. Cassettes Capacity	3pcs LGX Cassettes
Material	SPCC (Black Coating)
Dimensions (HxWxD)	1.73"x17.13"x9.02" (44x435x229.1mm)
Net Weight	3.65Kg
Enclosure Type	1U Rack Mountable
Installation	Standard EIA 19" Rack Rails
Accessories	Mounting accessory kits included

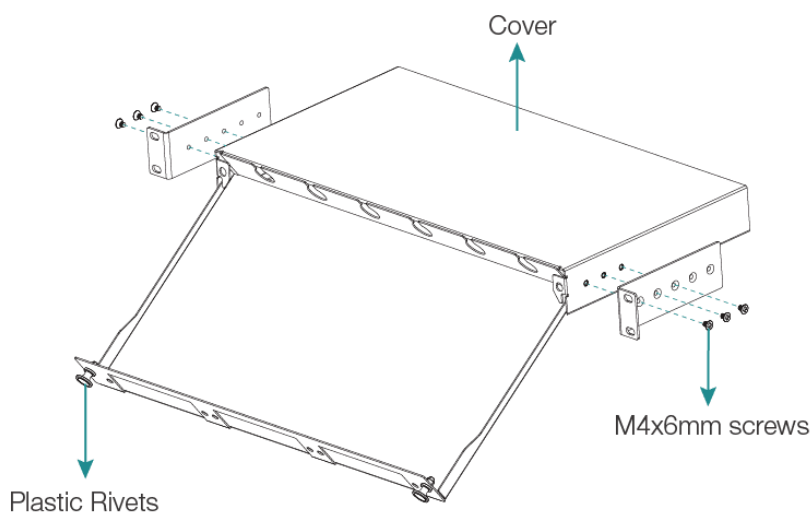
PLC LGX Cassettes Installation



Note:

- 1 LGX Cassette=156x102x29mm Standard PLC LGX Cassette.
- PLC LGX Cassette can be customized, welcome to contact sales@fs.com.

Assembly Structure Illustration



Products Lists

Application	ID#	Description
PLC LGX Cassettes		
1x4 PLC	#11958	1x4 PLC Fiber Splitter, Standard LGX Cassette, SC/APC, Singlemode
1x8 PLC	#11959	1x8 PLC Fiber Splitter, Standard LGX Cassette, SC/APC, Singlemode
Customized PLC	#48475	Customized 1xN, 2xN Fiber Splitter in FLG Series LGX Cassette, LC/SC/ST/FC, UPC/APC, Singlemode
1U Side-out Rack Mount Enclosure		
3 Slots Enclosure	#51608	1U Slide-Out Rack Mount LGX Fiber Enclosure unloaded, holds up to 3 LGX Cassettes
Fiber Optic Patch Cable		
SC/APC Patch Cable	#41918	1m (3ft) SC APC to SC APC Simplex OS2 Single Mode PVC (OFNR) 2.0mm Fiber Optic Patch Cable
Customized Patch Cable	#12285	Customized LC/SC/FC/ST/LSH/MU Simplex OS2 Single Mode Fiber Optic Patch Cable



 <https://www.fs.com>



All statements, technical information, and recommendations related to the products here are based upon information believed to be reliable or accurate. However, the accuracy or completeness thereof is not guaranteed, and no responsibility is assumed for any inaccuracies. Please contact FS for more information.