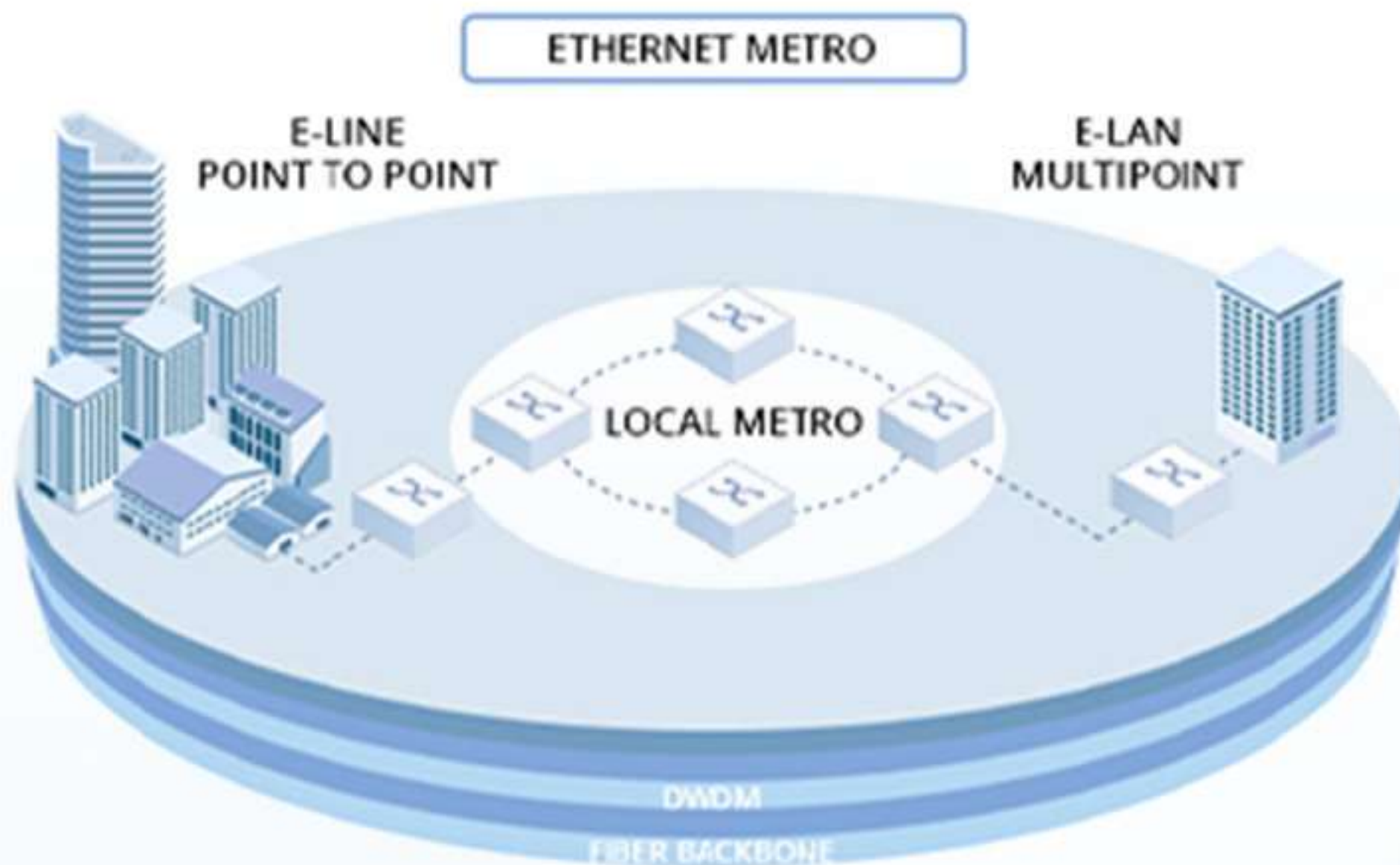


Evolution from 10G to 100G for a Metro Network

A Basic Guide

Introduction

Metro networks refer to public networks that transmit data between LAN and WAN.



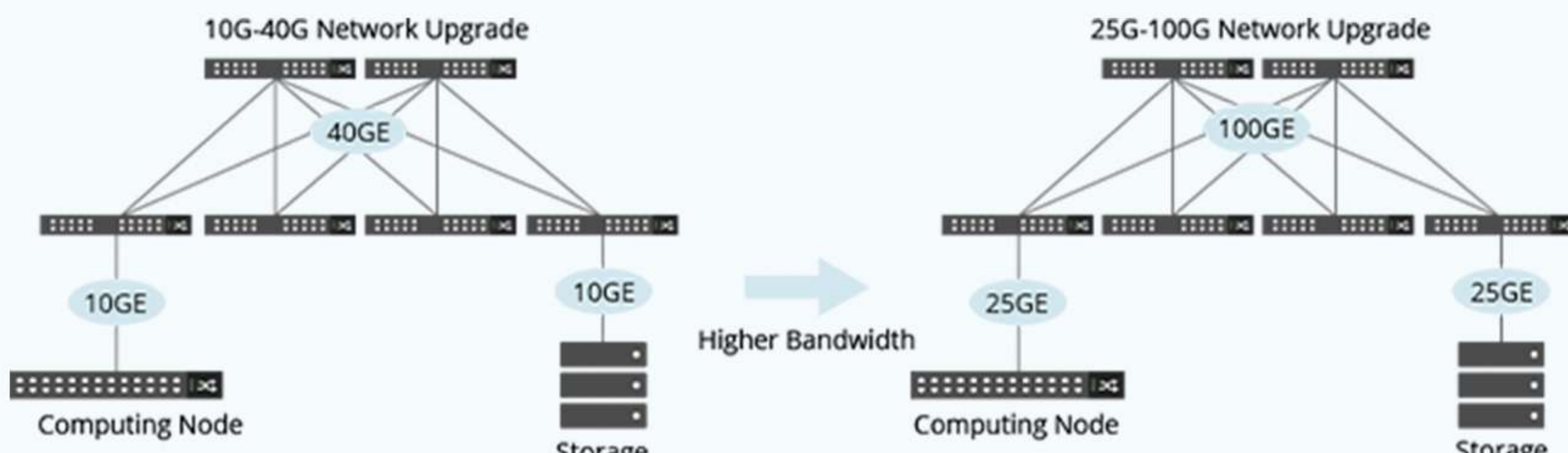
Coherent Transceivers Market Insights



- 400ZR (Edge)
- Coherent 400G+
- Coherent 200G
- Coherent 100G
- Direct Detect(Edge)

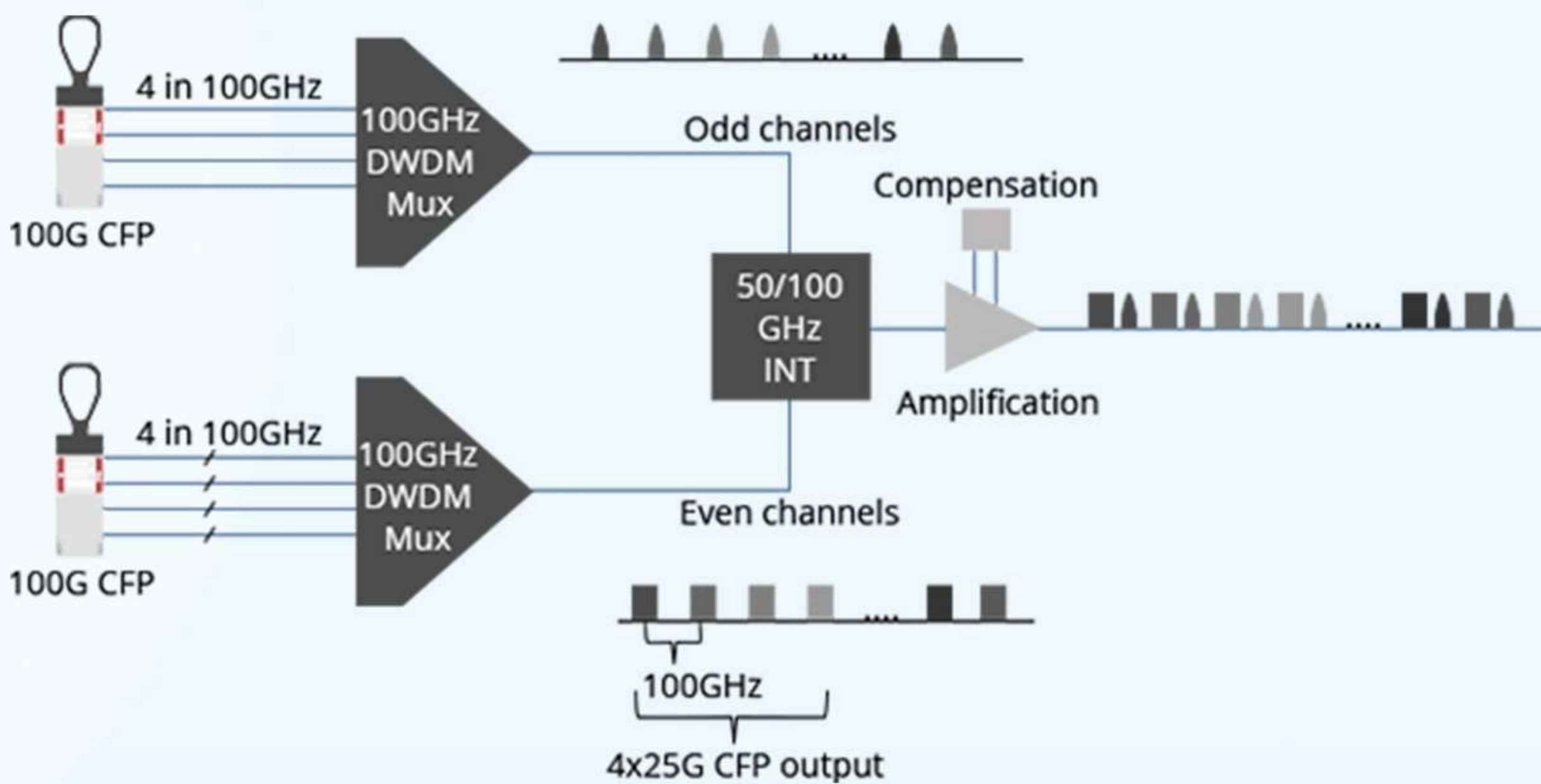
100G coherent port device shipments are expected to remain stable in 2022. 200G/400G shipments are also growing fast.

From 10G to 100G Metro Network

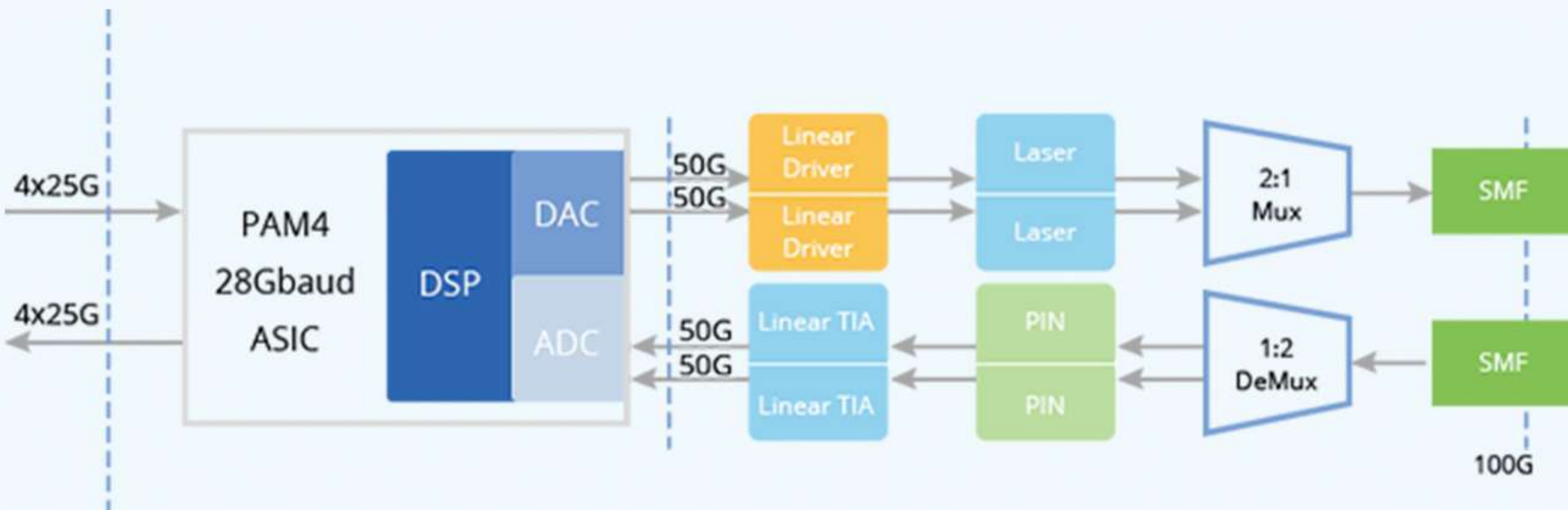


10G-40G-100G and 10G-25G-100G are both upgrade paths from low-speed networks to 100G networks. Both provide high-density, low-cost and low-power solutions.

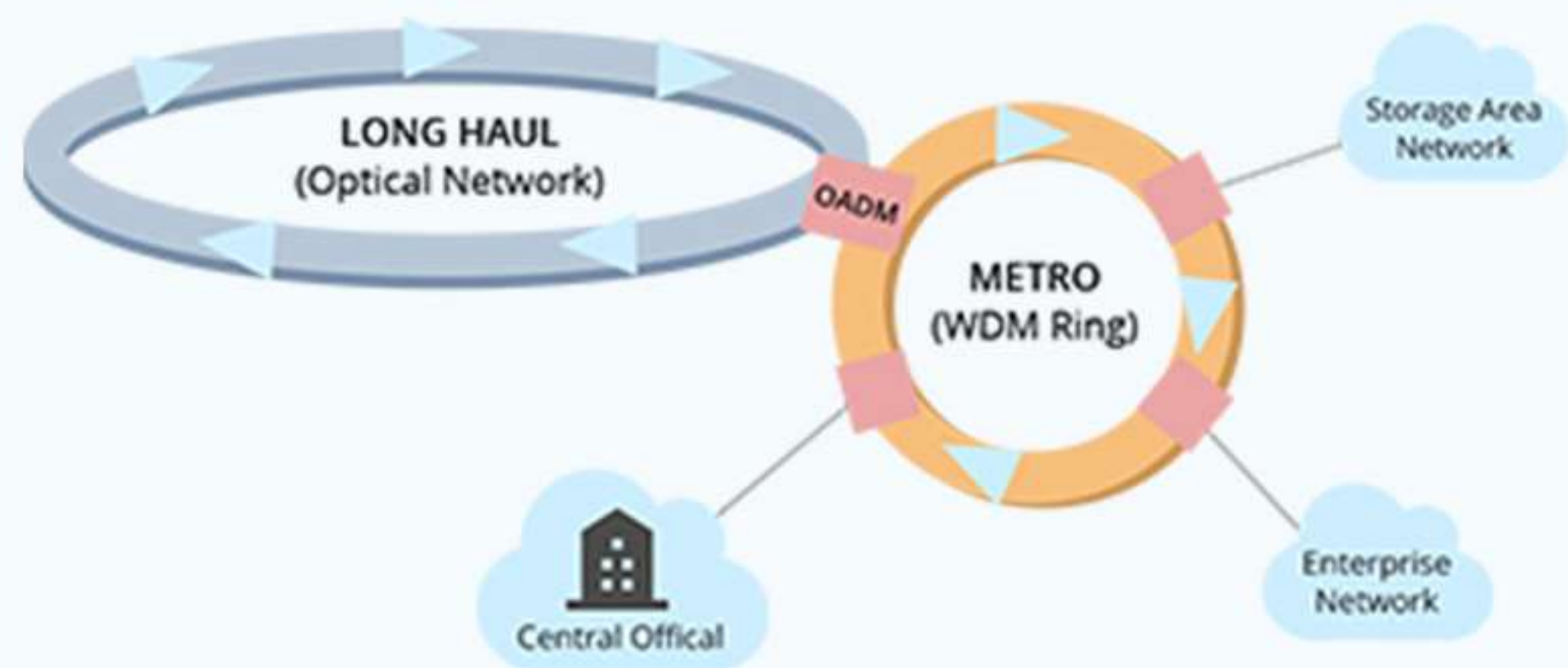
100G Application Technologies



CFP digital coherent technology applied in 100G network can realize data transmission over 1000km between sites.



PAM4 QSFP28 is a cost-effective solution for data center 100G and beyond.



DWDM technology supports long-distance data transmission and can complete the interconnection of data in the MAN.

100G Product Recommendations

FS provides 100G high-performance products that apply 100G technology to help customers upgrade 100G networks.



100G/200G CFP Transceiver



100G DWDM QSFP28 PAM4 Transceiver



DWDM Mux Demux