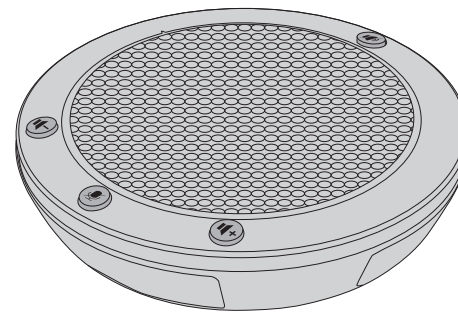
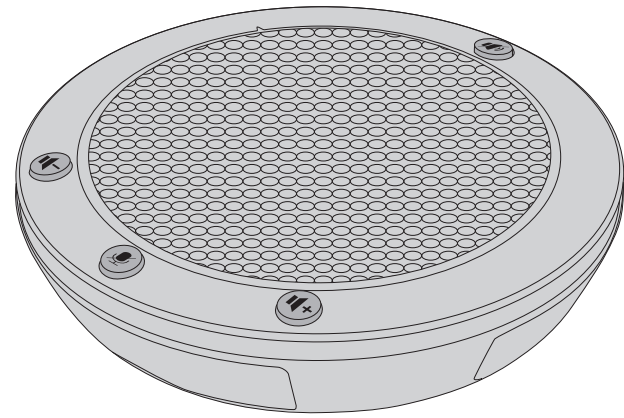


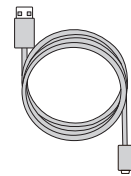


Introduction

The FS-SP3M Speakerphone is the easy-to-use conference speakerphone with simple USB connectivity for efficient UC meetings, whenever and wherever you need them.



Accessories

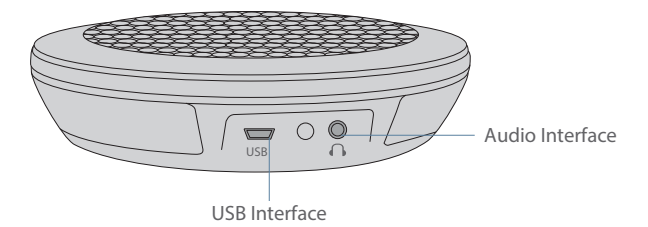


USB Cable x1

FS-SP3M SPEAKERPHONE FOR SMALL AND MID CONFERENCE ROOMS

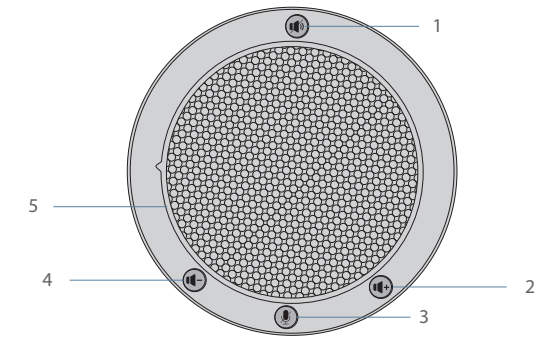
Quick Start Guide **V1.0**

Hardware Overview



Ports	Description
USB Interface	USB 2.0 Full speed interface.
Audio Interface	3.5mm Jack.

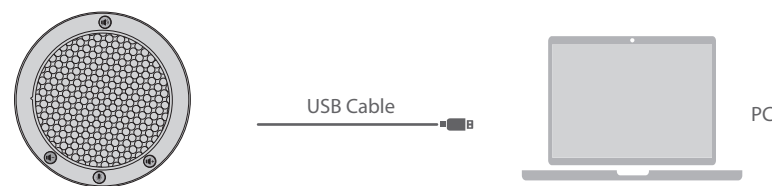
Button Function



Name	Function
1	Speaker Mute Press it, speaker mute. Press again, recover.
2	Volume Up Increase the volume.
3	Microphone Mute Press it, microphone mute. Press again, recover.
4	Volume Down Reduce the volume.
5	LED Indicator LED in red, MIC mute; LED in blue, MIC on.

Connection Introduction

Connected with PC

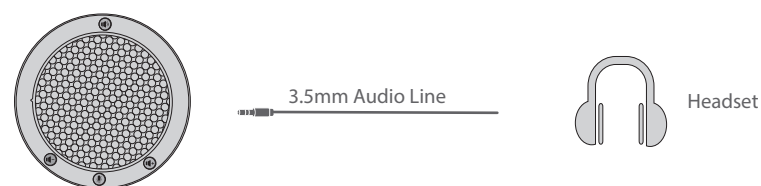


This speakerphone can be connected to a PC by USB cable.
The LED will light up blue to indicate the speakerphone is connected and powered on.

NOTE:

1. The speakerphone fits for Windows, Mac OSX, Android, USB 2.0 port.
2. For the first time to use, PC or other devices will automatically recognize and install the device. It will take 1 minute to show successfully installed.

Connected with Headset, Speaker



Support for headset function for easy private calls.



Support external speaker function to increase local playback volume.

Online Resources

- Download <https://www.fs.com/download.html>
- Help Center https://www.fs.com/service/help_center.html
- Contact Us https://www.fs.com/contact_us.html

Product Warranty

FS ensures our customers that any damage or faulty items due to our workmanship, we will offer a free return within 30 Days from the day you receive your goods. This excludes any custom made items or tailored solutions.



Warranty: All FS-SP3M Speakerphones enjoy 3 years limited warranty against defect in materials or workmanship. For more details about warranty, please check at <https://www.fs.com/policies/warranty.html>



Return: If you want to return item(s), information on how to return can be found at https://www.fs.com/policies/day_return_policy.html