

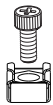
FS-CFS-1U

1U 19" Vented Cantilever Fixed Shelf

Quick Start Guide **V1.0**

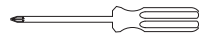
1

Accessories



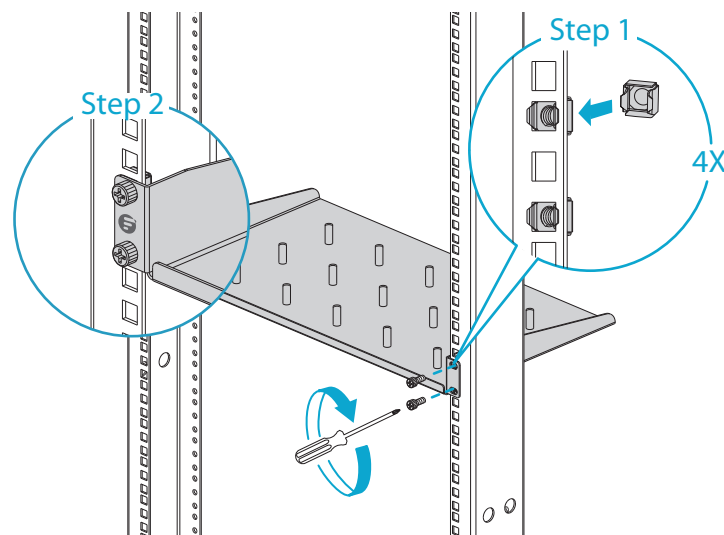
4X

Optional (Not Included)

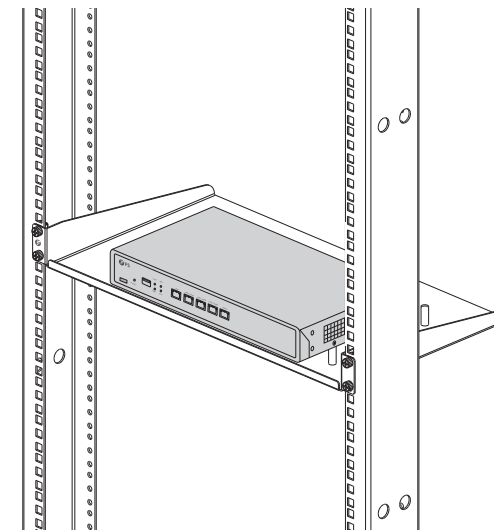


1X

2



3



NOTE: The device placed on the shelf should be less than 10kg and depth is shorter than 10". The device mounting ears do not need to be fixed on the rack.

Q.C. PASSED

Copyright © 2019 FS.COM All Rights Reserved.