

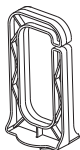
CMH-5DR1U

HORIZONTAL CABLE MANAGER

Quick Start Guide **V1.0**

1

Accessories



1X



4X

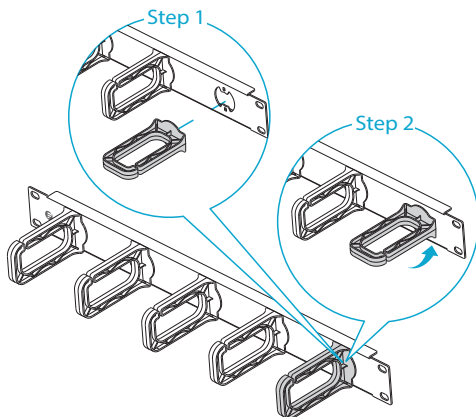
Optional (Not Included)



1X

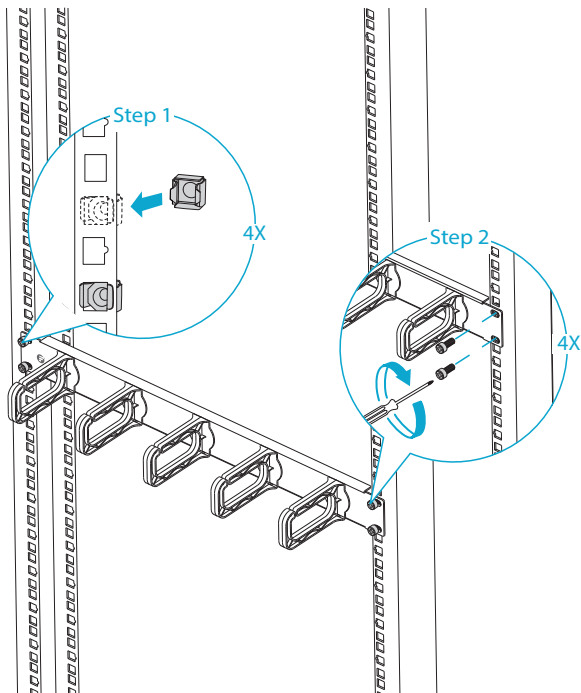
2

D-rings Installation



3

Rack Mounting



Q.C. PASSED