

3000VA UPS

120V/230V ON-LINE UPS

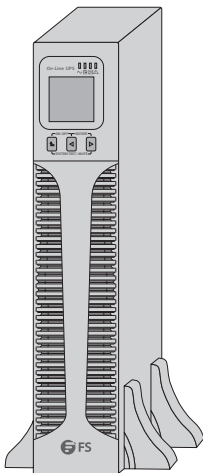
POWER SUPPLY

Quick Start Guide **V1.0**

Introduction

Thank you for choosing FS 3000VA On-Line UPS Power Supply. This guide is designed to familiarize you with the layout of the UPS and describe how to install the UPS in your application.

Uninterruptible Power Supply (UPS) protects connected equipment from power problems, including power sags, power surges, brownouts, line noise, high voltage spikes, switching transients, harmonic distortion and so on. It also provides backup power when the input power source or mains power fails.

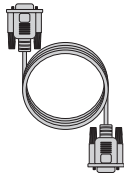


3000VA On-Line UPS Power Supply

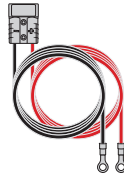
Accessories



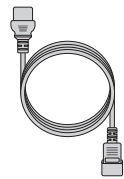
USB Cable x1



RS232 Cable x1



External Battery Cable x1



Input Power Cord x1



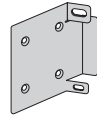
Output Power Cord x2



Tower Plastic Base x4



C20 Plug x1



Rack Mount Bracket x2



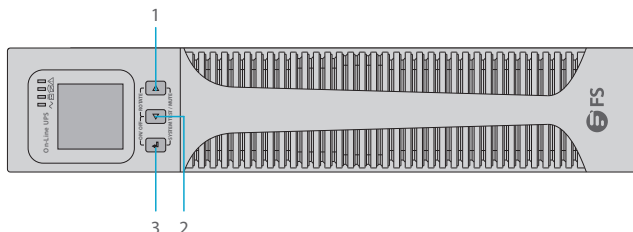
NOTE: The input power cord of UPS3KSP120RT is pre-installed on the back panel, therefore there are no input power cord and C20 plug in the accessories of UPS3KSP120RT.

Site Environment

1. Even no connection with utility power, high voltage may still exist at UPS outlets.
2. All repairs and service should be performed by **AUTHORIZED SERVICE PERSONNEL ONLY**. There are **NO USER SERVICEABLE PARTS** inside the UPS.
3. Don't disassemble the UPS cover, or there may be an electric shock.
4. To reduce the risk of fire or electric shock, install the UPS in a temperature and humidity controlled (temperature 0 to 40°C, maximum relative humidity 95%) indoor environment, free of conductive contaminants. Keep ventilations in good conditions.
5. The highest altitude that UPS may work normally with full load is 1500 meters. The load capacity will decrease by 5% for each 500m increase in altitude when this UPS is installed in place whose altitude is higher than 1500 meters.
6. To reduce the risk of fire, connect only to a circuit provided with branch circuit overcurrent protection in accordance with the local safety instructions.
7. If the UPS requires any type of transportation, verify that the UPS is unplugged and turned off.

Hardware Overview

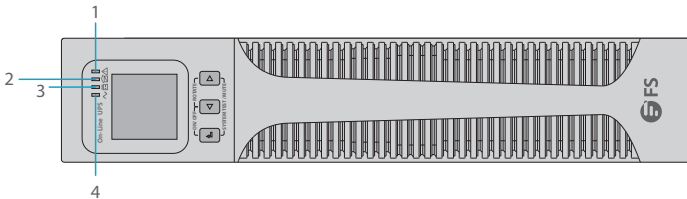
Front Panel Buttons



No	Function	Description
1/2	Scroll Up /Down	Non-function setting mode: 1. Press and hold the button for more than half a second (less than 2 seconds): Indicate the items of the LCD menu orderly. 2. Press and hold the button for more than 2 seconds: Circularly and orderly display the items every 2 seconds. When press and hold the key for some time again, it will turn to display output voltage and frequency.
		Function setting mode: Press and hold the button for more than half a second (less than 2 seconds): Select the set option.
3	Set Entry	Non-function setting mode: Press and hold this button for more than 2 seconds: Function setting interface.
		Function setting mode: 1. Press and hold this button for more than half a second (less than 2 seconds): Affirm the set option. 2. Press and hold this button for more than 2 seconds: Exit from this function setting interface.
1+2	Rotate LCD	Press and hold these buttons for more than 2 seconds to circumrotate the displays by 90 degrees on the LCD.

No	Function	Description
1+3	Battery Test /Mute	1. Press and hold these buttons for more than 1 second in line mode or economic(ECO) mode: UPS runs self-test function. 2. Press and hold these buttons for more than 1 second in battery mode: UPS runs mute function.
2+3	Start Up /Shutdown	Press and hold these buttons for more than half a second to turn on the UPS or to turn off the UPS.
1+2+3	Turn On /Off EPO	Press and hold these buttons to turn on or turn off the EPO (Emergency Power Off) function.

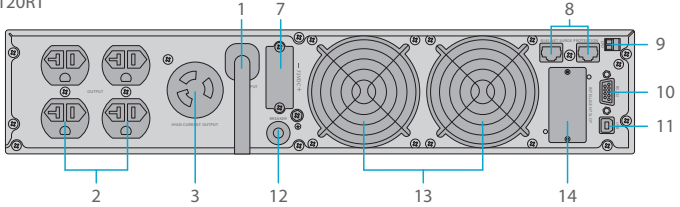
Front Panel LEDs



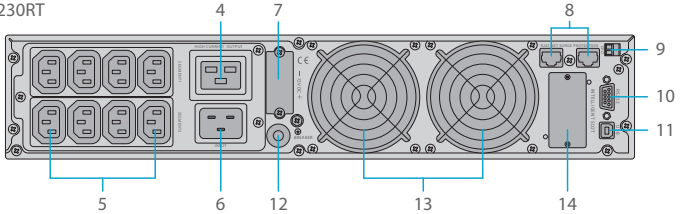
No	Function	Description
1	Alarm	The UPS has an active alarm or fault.
2	Bypass	1. The UPS is in bypass mode. 2. The UPS is operating normally on bypass during high efficiency operation.
3	Battery	The UPS is in battery mode.
4	Inverter	The UPS is operating normally.

Back Panel Ports

UPS3KSP120RT



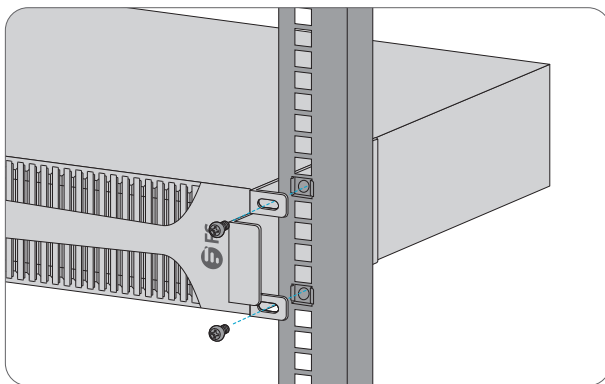
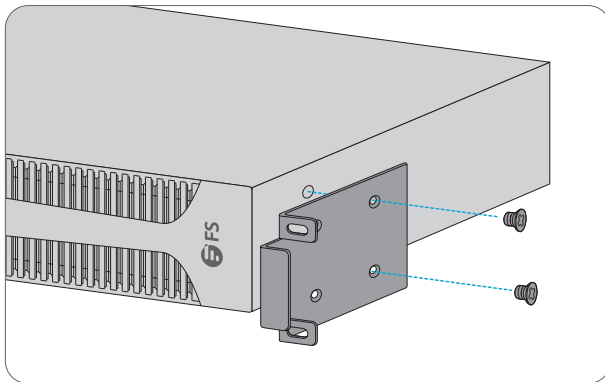
UPS3KSP230RT



No	Ports	Description
1	L5-30P Plug	Connect to L5-30R outlet providing utility power.
2	5-20R Outlets	Connect to equipment with 5-20P plugs.
3	L5-30R Outlet	Connect to equipment with L5-30P plug.
4	C19 Outlet	Connect to equipment with C20 plug.
5	C13 Outlets	Connect to equipment with C14 plugs.
6	C20 Plug	Connect to C19 outlet providing utility power.
7	External Battery Socket	Connect to the external batteries (not included in the product). Remove the cover over the socket for access.
8	RJ45 Net Surge Protections	Protect your equipment against surges over a network data line.
9	EPO Port	Enable emergency inverter shutdown.
10	RS232 Port	Connect to computer for monitoring via an RS232 cable.
11	USB Port	Connect to computer for monitoring via a USB cable.
12	Breaker	Protect against excess currents and short circuits.
13	Fans	Dissipate heat to cool UPS.
14	Intelligent Slot	Support SNMP card (optional) for UPS controlling and monitoring. Remove the cover over the slot for access.

Installing

Rack Mounting

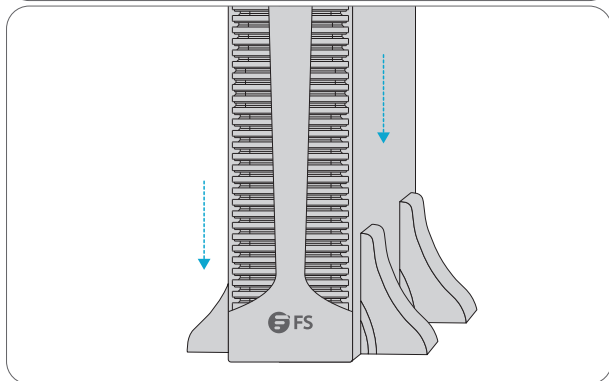
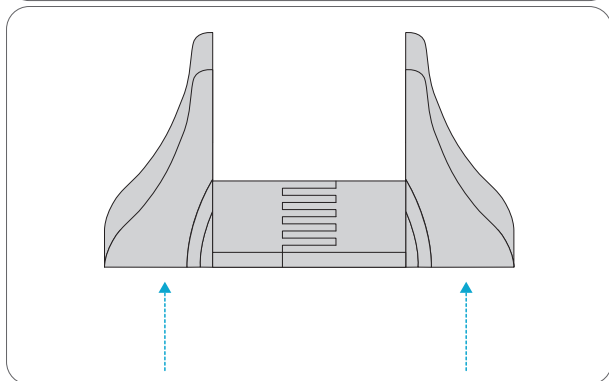
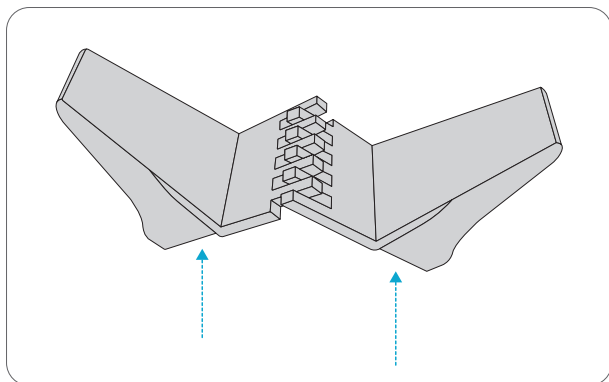


1. Secure the mounting brackets to the two sides of the UPS with pre-installed screws.
2. Attach the UPS to the rack using screws and cage nuts, which can match the rack.



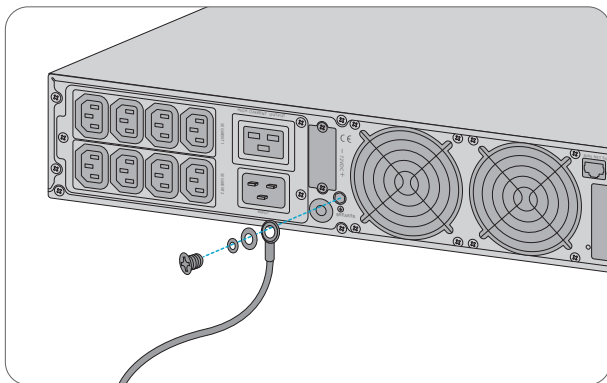
NOTE: UPS is heavy. Please install the rack shelf or rails first to support the UPS above.

Tower Mounting



1. Intercross two plastic base brackets and flatten them.
2. Place the UPS in the middle of base brackets.

Grounding the UPS



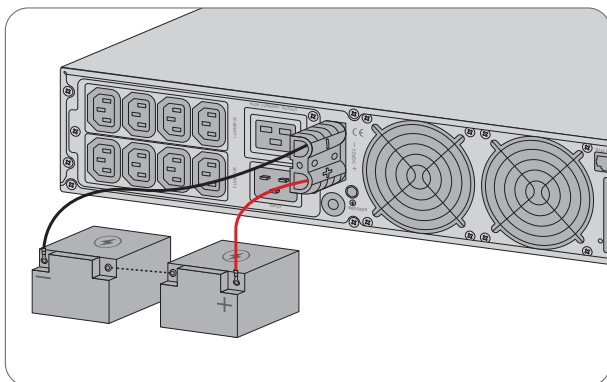
1. Connect one end of the grounding cable to a proper earth ground, such as the rack in which the UPS is mounted.
2. Secure the grounding lug to the grounding point on the UPS back panel with the washers and screws.



NOTE: High leakage current. Earth connection essential before connecting supply.

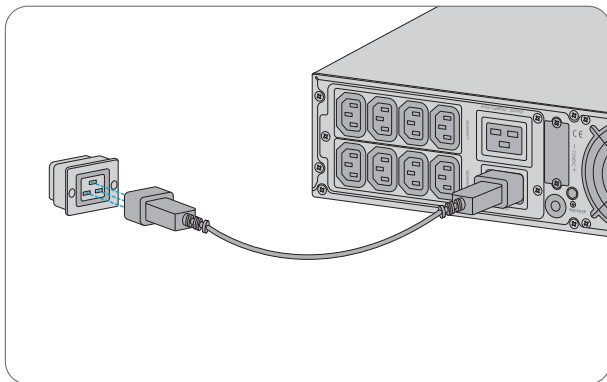
Connecting to Power

Connecting to External Batteries



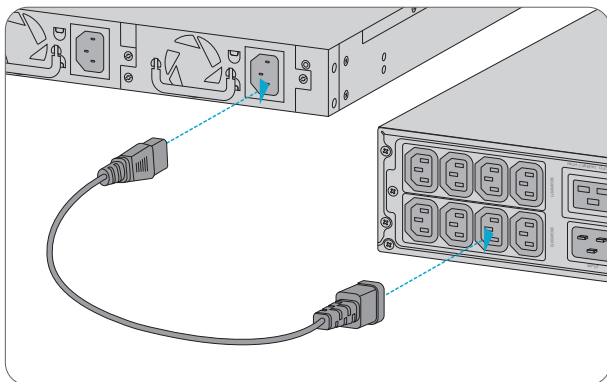
Connect one end of the external battery cable to external batteries (not included in the product), and the other end to the external battery socket of UPS to get the backup power.

Connecting to Utility Power



Connect one end of a power cord to the power port of the UPS, and the other end to an outlet to get utility power.

Connecting to Equipment



Connect one end of a power cord to the power port of the switches, routers, servers or other devices, and the other end to the outlet of UPS to power the equipment.

Troubleshooting

Fault	Cause	Solutions
The "INPUT" letters on LCD display section flashes.	Anti-connection of mains live and neutral wires, or mains is out of range.	Re-connect the input power cable and make a correct connection.
Battery capacity indicator flashes.	Low battery voltage or battery disconnection.	Check the battery, and connect battery well. Replace it if the battery is damaged.
Mains is normal, but the UPS has no input.	UPS input circuit breaker opens.	Press the breaker for reset.
Short backup time.	Battery is not fully charged.	Keep UPS connecting with mains power for more than 8 hours to recharge battery.
	UPS is overloaded.	Remove some redundant devices.
	Battery is aged.	Replace battery.
UPS doesn't startup after pressing the ON key.	Didn't press the combination keys of ON.	Press 2+3 keys at the same time.
	No battery connection, or the low battery voltage and too many loads connected.	Connect the battery well. If battery voltage is low, please turn off UPS and remove some loads, then turn on UPS.
	Fault occurs inside UPS.	Contact FS for servicing.
The icon of charger status on LCD display flashes and buzzer beeps once per second.	Charger doesn't work normally or battery is aged.	Contact FS for servicing.

Online Resources

- Download <https://www.fs.com/download.html>
- Help Center https://www.fs.com/service/help_center.html
- Contact Us https://www.fs.com/contact_us.html

Product Warranty

FS ensures our customers that any damage or faulty items due to our workmanship, we will offer an exchange within 30 Days from the day you receive your goods. This excludes any custom made items or tailored solutions.



Warranty: FS UPS enjoys 1 year limited warranty against defect in materials or workmanship. For more details about warranty, please check at <https://www.fs.com/policies/warranty.html>



Return: If you want to return item(s), information on how to return can be found at https://www.fs.com/policies/day_return_policy.html