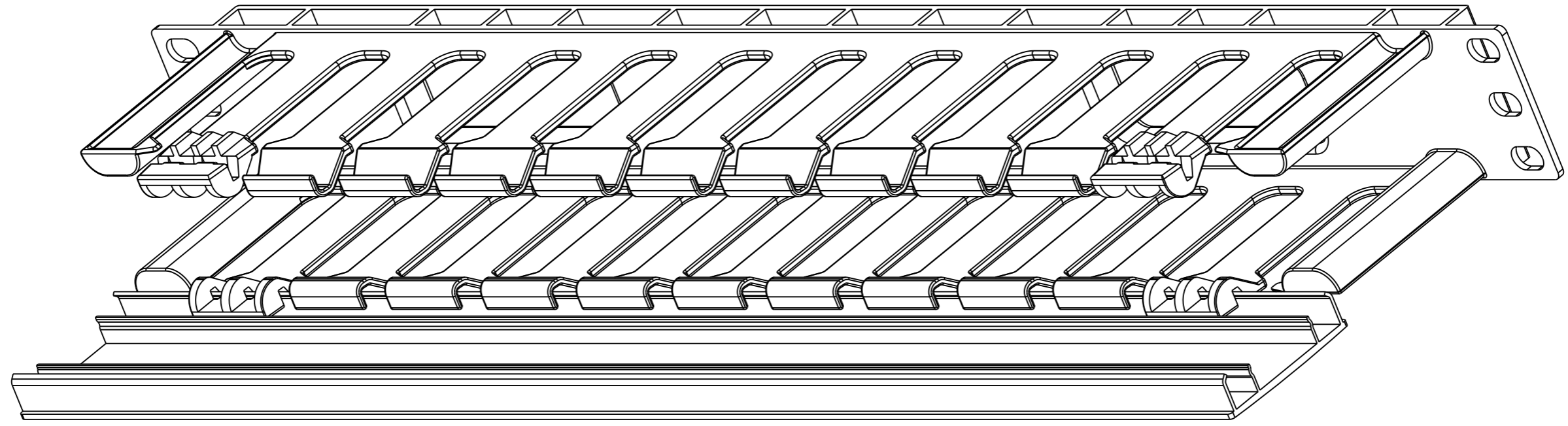

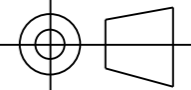
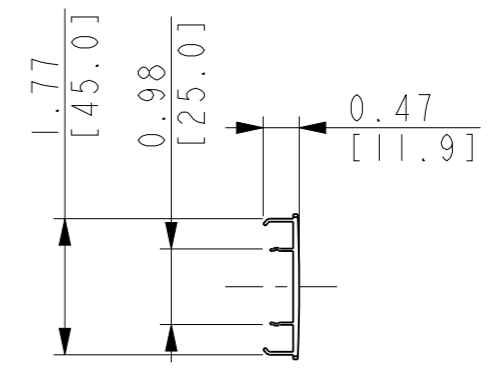
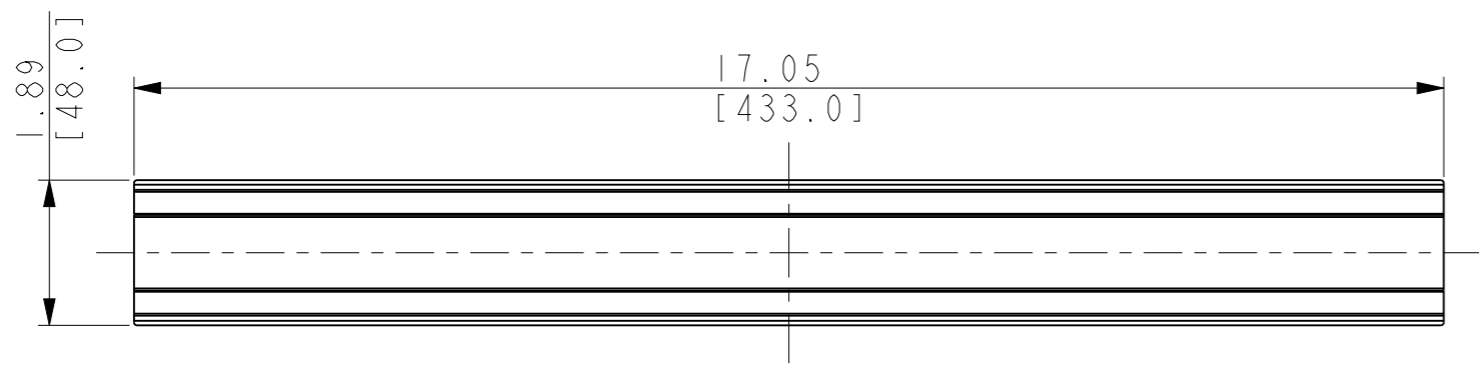
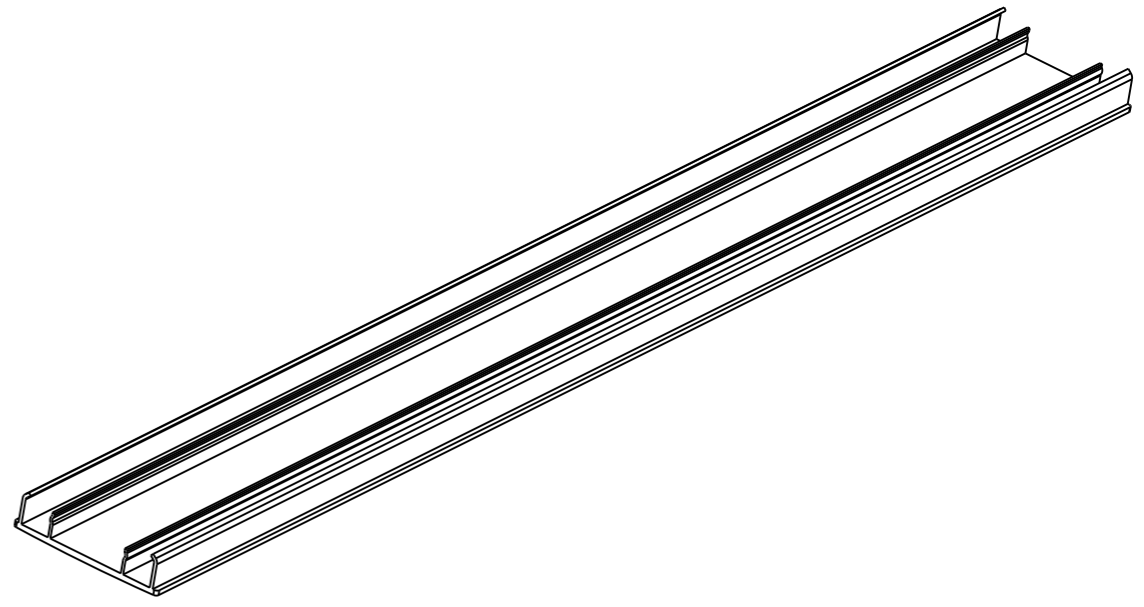


Versions	Release Content	Change Time	Duty Officer
V0	\	2019-04-23	Aaron



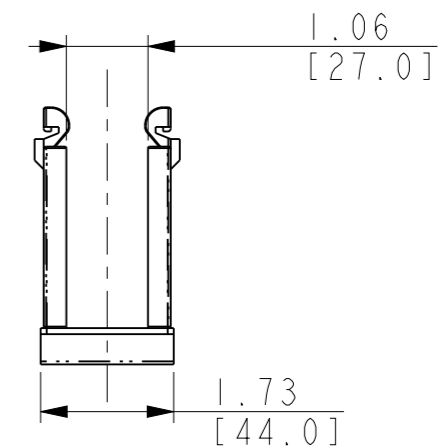
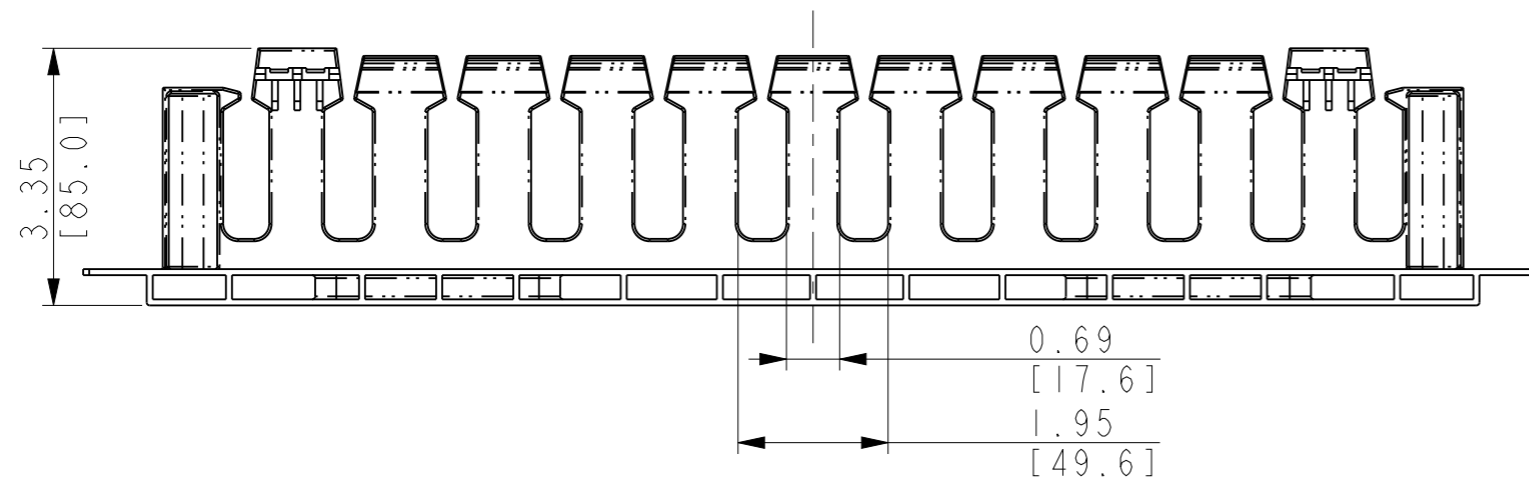
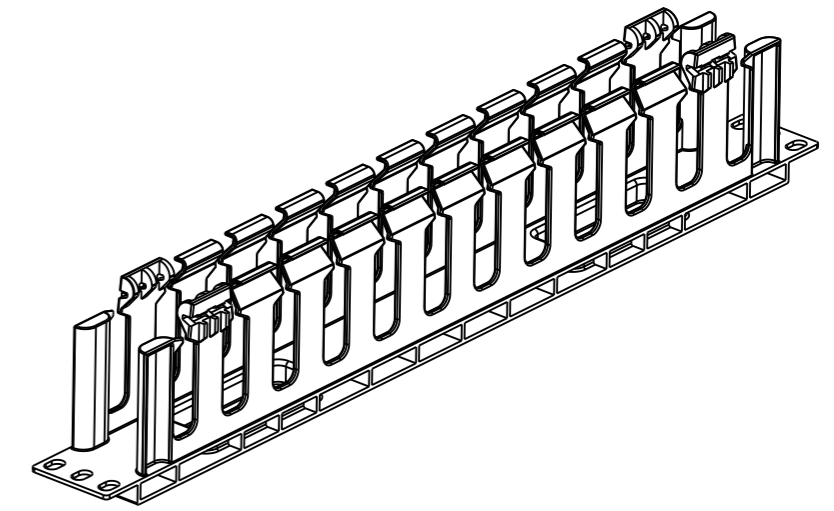
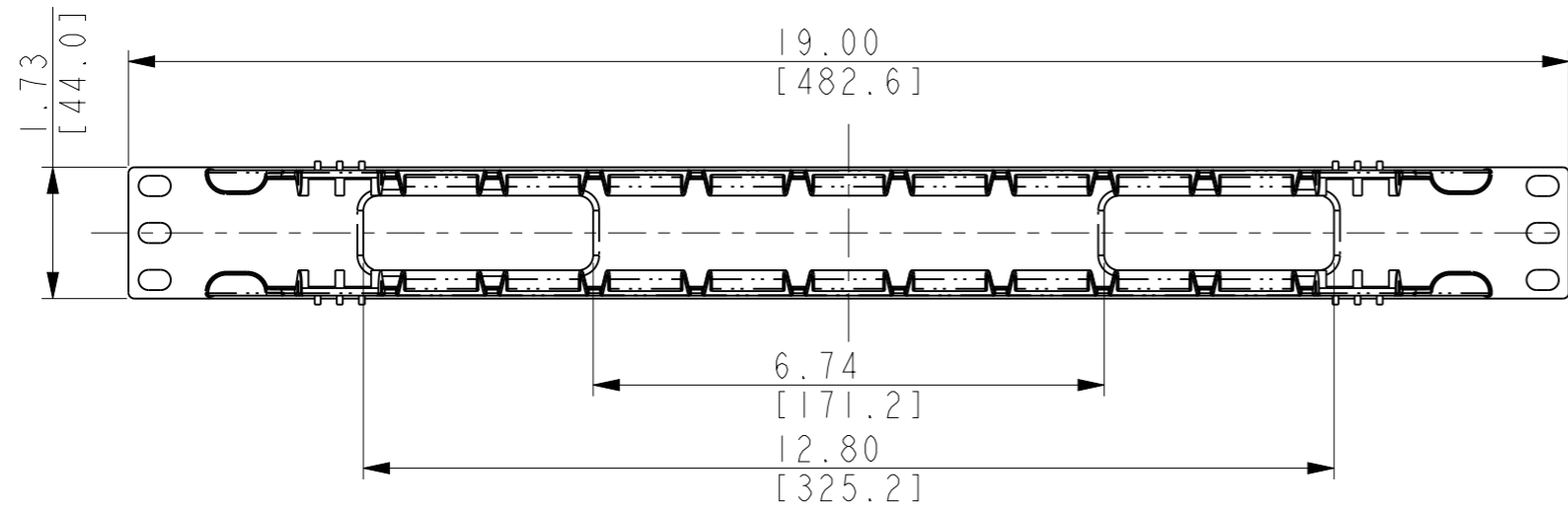
	Content	Remarks						
Materials			CMH-SFD1U					Explosion Diagram
Colour								
Thickness								
	Signature	YTD	Frame	Versions	Weight	Scale		
			A3			4:5		
Design	Aaron		The Third Perspective 					
Check	Pierce							
Approve	Rotk		SHT 3 OF 1					


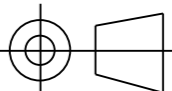
Versions	Release Content	Change Time	Duty Officer
V0	\	2019-04-23	Aaron



	Content	Remarks	CMH-SFD1U				
Materials	ABS						
Colour	Black						
Thickness							Cable Management
	Signature	YTD	Frame	Versions	Weight	Scale	
			A3			2:5	
Design	Aaron		The Third Perspective				IU-Cover
Check	Pierce						
Approve	Rotk		SHT 3 OF 2				

Versions	Release Content	Change Time	Duty Officer
V0	\	2019-04-23	Aaron



	Content	Remarks					
Materials	ABS		CMH-SFD1U				
Colour	Black						
Thickness			Frame	Versions	Weight	Scale	1U-Bottom
	Signature	YTD	A3			2:5	
Design	Aaron		The Third Perspective 				
Check	Pierce						
Approve	Rotk		SHT 3 OF 3				