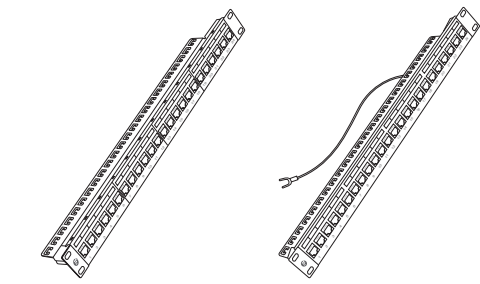
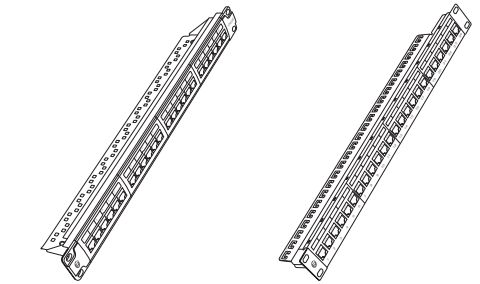


1U 24 PORTS PATCH PANELS
 1HE PATCHPANEL MIT 24 PORTS
 1U PANNEAUX DE BRASSAGE À 24 PORTS

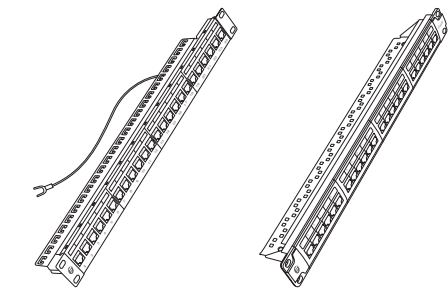
Quick Start Guide **V3.0**
 Quick Start Anleitung
 Guide de Démarrage Rapide



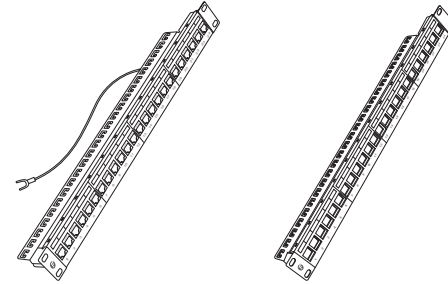
C5EP-U24FT1U C5EP-S24FT1U



C5EP-U24P1101U C6P-U24FT1U

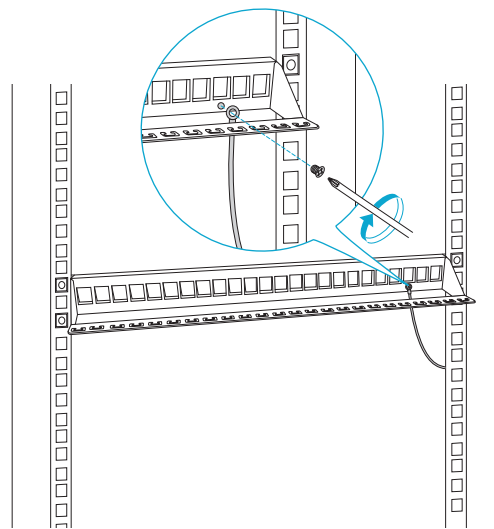
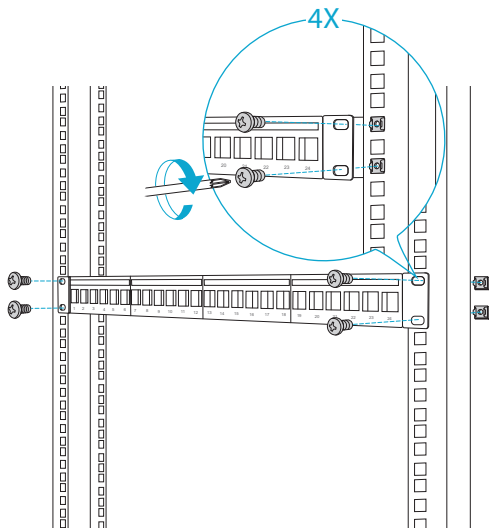


C6P-S24FT1U C6P-U24P1101U



C6AP-S24FT1U CXP-S241U

C5EP-U24P1101U C6P-U24P1101U				
	4X	24X	24X	1X
C5EP-U24FT1U C5EP-S24FT1U C6P-S24FT1U C6P-U24FT1U C6AP-S24FT1U				
	4X	24X	2X	
CXP-S241U				
	4X	24X	2X	1X



NOTE: Only C5EP-S24FT1U/C6P-S24FT1U/CXP-S241U/C6AP-S24FT1U patch panels require a ground connection.

HINWEIS: Nur die Patchpanels C5EP-S24FT1U/C6P-S24FT1U/CXP-S241U/C6AP-S24FT1U benötigen einen Erdungsanschluss.

NOTE: Seuls les panneaux de brassage C5EP-S24FT1U/C6P-S24FT1U/CXP-S241U/C6AP-S24FT1U nécessitent une connexion à la terre.

Part Number	Termination	Style	Ports	RU	Dimensions	Materials
C5EP-U24FT1U	Coupler	Flat	24	1	1.75"x19"x3.62" (HxWxD)	SPCC + ABS Plastics
C5EP-S24FT1U	Coupler				1.75"x19"x3.62" (HxWxD)	
C5EP-U24P1101U	110 Type Punch Down				1.75"x19"x1.2" (HxWxD)	
C6P-U24FT1U	Coupler				1.75"x19"x3.62" (HxWxD)	
C6P-S24FT1U	Coupler				1.75"x19"x3.62" (HxWxD)	
C6P-U24P1101U	110 Type Punch Down				1.75"x19"x1.2" (HxWxD)	
C6AP-S24FT1U	Coupler				1.75"x19"x3.62" (HxWxD)	
CXP-S241U	Coupler				1.75"x19"x3.62" (HxWxD)	

Teilenummer	Terminierung	Stil	Ports	RU	Abmessungen	Materialien
C5EP-U24FT1U	Koppler	Flat	24	1	1.75"x19"x3.62" (HxBxT)	SPCC und ABS-Kunststoff
C5EP-S24FT1U	Koppler				1.75"x19"x3.62" (HxBxT)	
C5EP-U24P1101U	110 Type Punch Down				1.75"x19"x1.2" (HxBxT)	
C6P-U24FT1U	Koppler				1.75"x19"x3.62" (HxBxT)	
C6P-S24FT1U	Koppler				1.75"x19"x3.62" (HxBxT)	
C6P-U24P1101U	110 Type Punch Down				1.75"x19"x1.2" (HxBxT)	
C6AP-S24FT1U	Koppler				1.75"x19"x3.62" (HxBxT)	
CXP-S241U	Koppler				1.75"x19"x3.62" (HxBxT)	

Référence	Terminaison	Style	Ports	RU	Dimensions	Matériaux
C5EP-U24FT1U	Coupleur	Plat	24	1	1.75"x19"x3.62" (HxWxD)	SPCC + Plastiques ABS
C5EP-S24FT1U	Coupleur				1.75"x19"x3.62" (HxWxD)	
C5EP-U24P1101U	Type de Poinçonnage 110				1.75"x19"x1.2" (HxWxD)	
C6P-U24FT1U	Coupleur				1.75"x19"x3.62" (HxWxD)	
C6P-S24FT1U	Coupleur				1.75"x19"x3.62" (HxWxD)	
C6P-U24P1101U	Type de Poinçonnage 110				1.75"x19"x1.2" (HxWxD)	
C6AP-S24FT1U	Coupleur				1.75"x19"x3.62" (HxWxD)	
CXP-S241U	Coupleur				1.75"x19"x3.62" (HxWxD)	