

# FHD-1UFMT-N Fixed Enclosure

High-density solution to manage fiber termination, connections, and patching for all applications



## FHD 1U Fixed Rack Mount Enclosure

FHD 1U Fixed Rack Mount Enclosure provides a flexible and modular system for easy field termination of connectors, splicing, or installation of pre-terminated plug-n-play solutions. And they're designed to maximize the density while minimizing rack space in a frame or cabinet setting. These economical enclosures are ideal for data centers and enterprise applications.


## Standards Compliance

- TIA/EIA-568-C.3
- ISO9001 Certificate
- WEEE Certificate
- RoHS Compliant
- REACH Compliant

## Features

- Up to 144 Fibers (LC) or 1,152 Fibers (MTP®-24)
- Compatible with All FHD Cassettes, Panels and Splice Trays
- Modular Design Accepts up to Four FHD Panels/Cassettes
- Removable Top Cover Simplifies Cable Management
- Side and Rear Cable Entry Brings More Options to Route Cable
- Mounts to standard EIA 19" Racks

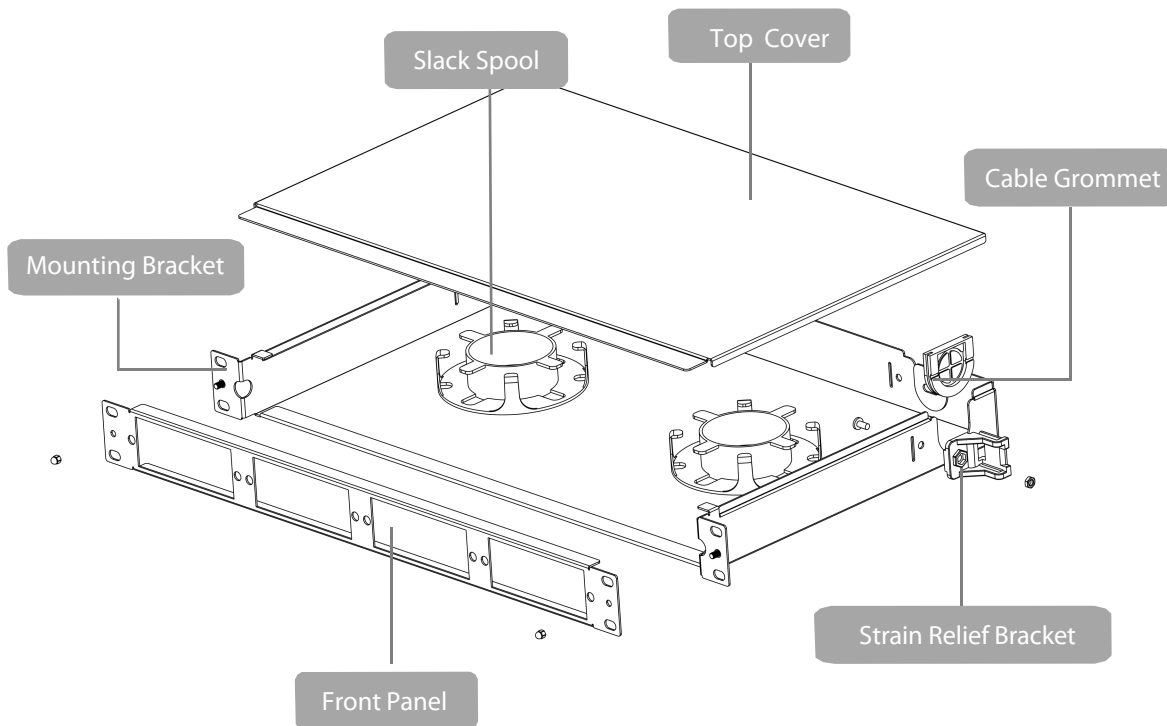
## Product Specification

#ID	#96427
Pic.	
Part Number	FHD-1UFMT-N
No. of Rack Spaces	1U
Fiber Count	Up to 144 Fibers (LC) or 1,152 Fibers (MTP®-24)
Product Type	Fixed Enclosure
Cable Entry Direction	Side and Rear Cable Entry
Top Cover Removable	Yes, Tool-less by Hand
Loaded	Unloaded
Material	Steel, Powder-coated Black
Mounting Type	Rack Mount
Installation	Standard EIA 19" Rack Rails
Dimensions (HxWxD)	1.73"x19.00"x11.17" (44.0x482.6x283.6mm)
Application	Accepts Four FHD Panels/Cassettes

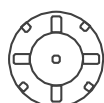
## Environmental Characteristics

Operating Temperature	-25°C to 50°C
Storage Temperature	-40°C to 65°C
Installation temperature	0°C to 50°C
Salt Mist Cyclic Test	48H

## Assembly Structure Illustration



## Accessories List



Slack Spool x2



Strain Relief Bracket x2



Cable Grommetx4



Adhesive Cable Entry Clip x2



Loop Cable Tie Mount x2



Plastic Rivet x4



Screw Package x1



M4\*8 Screw x4 and M4 Nut x8



M6\*15 Screw x4 and M6 Nut x4



Cable Tie x6



Nylon Cable Tie x4



Screwdriver x1

## FHD Enclosure Capacity

Description	#ID	Part Number	Capacity	Fiber Count
FHD 1U Sliding Rack Mount Enclosure	#70361	FHD-1UFCE	4 ports	144F
FHD 2U Sliding Rack Mount Enclosure	#73205	FHD-2UFCE	8 ports	288F
FHD 4U Sliding Rack Mount Enclosure	#73206	FHD-4UFCE	12 ports	432F
FHD 1U Fixed Rack Mount Enclosure	#96427	FHD-1UFMT-N	4 ports	144F
FHD 1U Modular Rack Mount Enclosure	#70419	FHD-1U-CMP400	4 ports	144F
FHD 1U Blank Rack Mount Enclosure	#72910	FHD-FPP5DRL	4 ports	144F

## Fiber Enclosure Loading List

### I. Fiber Adapter Panel

Description	#ID (OS2)	#ID (OM4)
24F, 12x LC Duplex Fiber Adapter Panel	#35488	#51284
12F, 6x SC Duplex Fiber Adapter Panel	#35484	#41998
12x MTP® Key Up to Key Down Fiber Adapter Panel	#35510	#35510
8x MTP® Key Up to Key Up Fiber Adapter Panel	#52022	#52022
6-Port FHD Multimedia Modular Panel with 6x Plastic Clips	#66602	#66602

### II. MTP/MPO Cassette

Description	#ID (OS2)	#ID (OM4)
8F, MTP®-8 to 4x LC Duplex Cassette	#68401	#68402
12F, MTP®-12 to 6x LC Duplex Cassette, Type A	#57016	#57017
12F, MTP®-12 to 6x LC Duplex Cassette, Type AF	#57037	#57038
24F, 2x MTP®-12 to 12x LC Duplex Cassette, Type A	#57341	#57342
24F, 2x MTP®-12 to 12x LC Duplex Cassette, Type AF	#68540	#68541
36F, 3x MTP®-12 to 12x LC Duplex Cassette, Type A	#105333	#105335
36F, 3x MTP®-12 to 12x LC Duplex Cassette, Type AF	#105334	#105336
24F, MTP®-24 to 12x LC Duplex Cassette, Type A	#57023	#57024
24F, MTP®-24 to 12x LC Duplex Cassette, Type AF	#68549	#68550

\* MTP® is a registered trademark of US Conec Ltd.

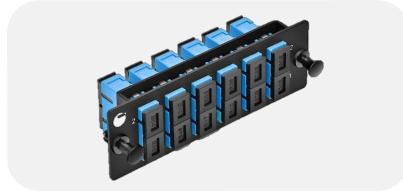
\* The US Conec MTP® connectors are fully compliant with the MPO standards.

## Product Application

### I. Patch Cord Connections



①



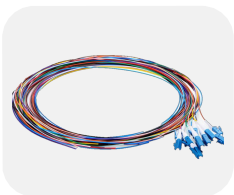
②



③

Item No.	#ID	Description
1	#40234	1m (3ft) SC UPC to SC UPC Duplex Single Mode Fiber Patch Cable
2	#35484	6x SC Duplex, 12 Fibers OS2 Single Mode FHD Fiber Adapter Panel
3	#96427	1U Rack Mount FHD High Density Fiber Enclosure

### II. Fiber Optic Splicing



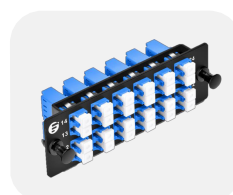
①



②



③



④



⑤

Item No.	#ID	Description
1	#42459	1m (3ft) 12 Fibers LC/UPC 9/125 Single Mode Color-Coded Fiber Optic Pigtail
2	#64246	24 Fibers Optical Splice Tray for FHD Fiber Enclosure
3	#96427	1U Rack Mount FHD High Density Fiber Enclosure
4	#35488	12x LC Duplex, 24 Fibers OS2 Single Mode FHD Fiber Adapter Panel
5	#68294	1m (3ft) Grade B LC UPC to LC UPC Duplex OS2 Fiber Patch Cable

### III. MTP Cabling Management



①



②



③



④



⑤

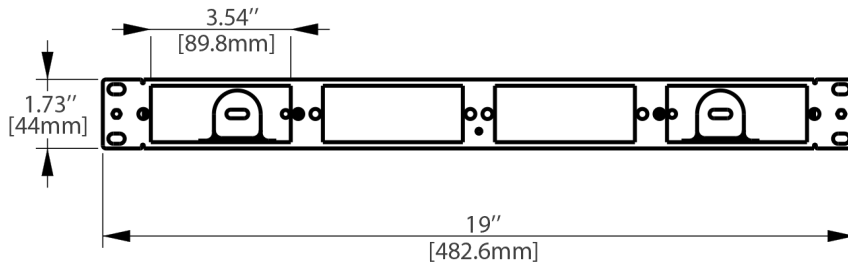
Item No.	#ID	Description
1	#68294	1m (3ft) Grade B LC UPC to LC UPC Duplex OS2 Fiber Patch Cable
2	#57341	2x MTP®-12 to 12x LC Duplex, Type A, 24 Fibers OS2 FHD MTP®/MPO Cassette
3	#68102	5m (16ft) MTP® Female 12 Fibers OS2 9/125 Single Mode Trunk Cable, Type A
4	#68540	2x MTP®-12 to 12x LC Duplex, Type AF, 24 Fibers OS2 FHD MTP®/MPO Cassette
5	#96427	1U Rack Mount FHD High Density Fiber Enclosure

**Note:**

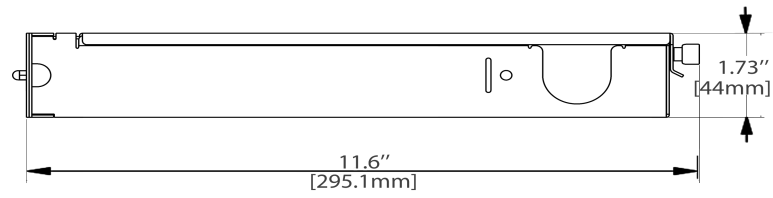
The basic application and matching products for the enclosure are shown for reference.

## Product Specifications

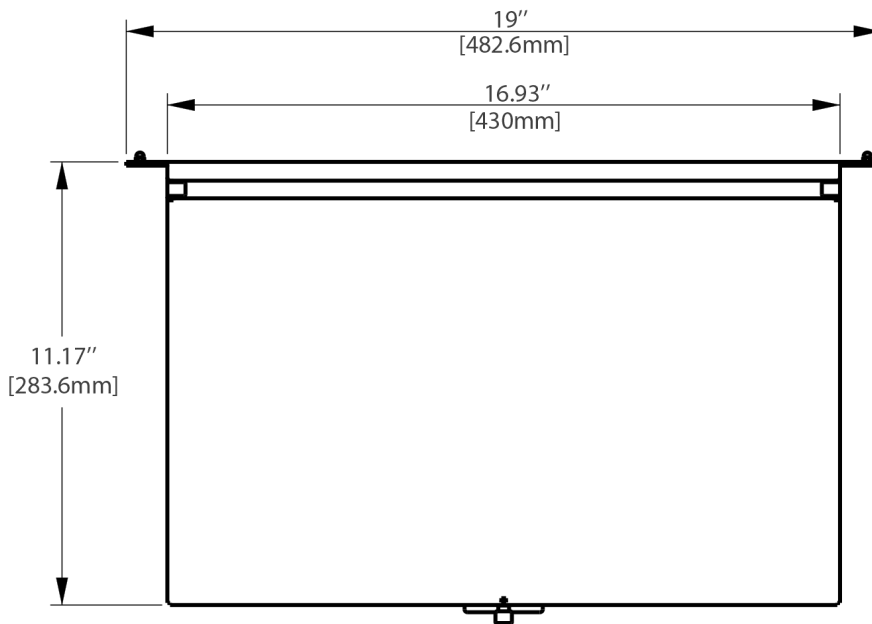
### Front View



### Side View



### Top View



Dimensions are in inches. (Dimensions in parentheses are in millimeters).



 <https://www.fs.com>



The information in this document is subject to change without notice. FS has made all efforts to ensure the accuracy of the information, but all information in this document does not constitute any kind of warranty.