

Single D-ring Vertical Cable Managers Datasheet

Meet greater demands on the physical infrastructure to help manage growing cable densities and larger network equipment.



Single D-ring Vertical Cable Managers

The single D-ring vertical cable managers provide a creative solution for adding individual D-rings to a rack or a cabinet using appropriate fasteners. It offers a flexible opening for easy insertion of bundled cables. Providing strain relief for attached cables, multiple D-rings can be attached to rack where you need them for a versatile cable management solution.


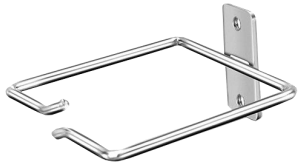
Standards Compliance

- RoHS Compliant
- ISO9001 Certificate

Features

- Provides flexibility for front or back cable management with a neat and clean appearance.
- Maintains bend radius as cables transition.
- Allows easy access to cables for moves, adds and changes.
- Made of galvanized iron material, solid and durable.
- Ideal for mounting on all standard racks or cabinets.

Product Specifications

Part Number	CMV-SD1U1.6W	CMV-SD1U3W
Pic.		
Style	Single D-ring	Single D-ring
No. of Rack Spaces	1U	1U
Material	Metal (Galvanized Iron)	Metal (Galvanized Iron)
Color	Silvery	Silvery
Orientation	Vertical	Vertical
Application	Matching for All Standard Racks or Cabinets	Matching for All Standard Racks or Cabinets
Included Accessories	M6*15mm Screw x2 and M6 Nut x2	M6*15mm Screw x2 and M6 Nut x2
Dimensions (HxWxD)	1.7"x1.6"x3.1" (44x40x80mm)	1.73"x3.15"x3.15" (44x80x80mm)

PART NUMBER	CBLE CAPACITY				
	CAT5E 24AWG-5.5mm	CAT6 24AWG-6.1mm	CAT6 SLIM 28AWG-3.8mm	CAT6A/CAT7 26AWG-6.2mm	CAT8 28AWG-6.2mm
CMV-SD1U1.6W	72	60	152	55	55
CMV-SD1U3W	144	120	304	110	110

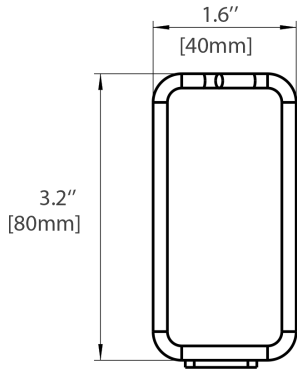
Note:

The managers can be used with copper, fiber and etc. And the above capacity of coppers are theoretical values for reference only.

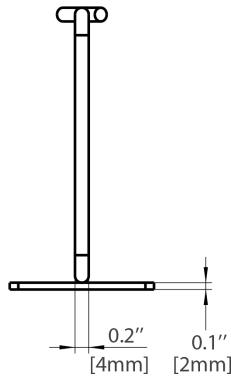
Technical Drawing

CMV-SD1U1.6W

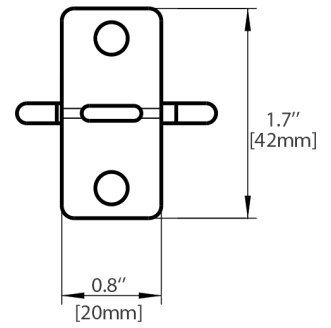
Top View



Side View

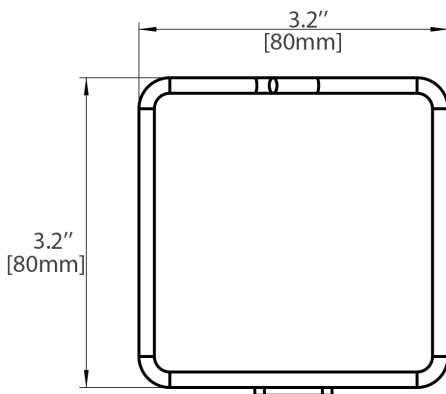


Back View

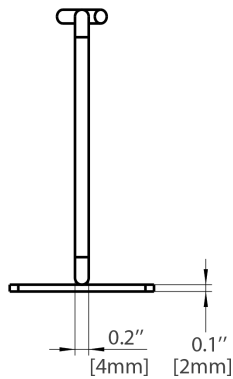


CMV-SD1U3W

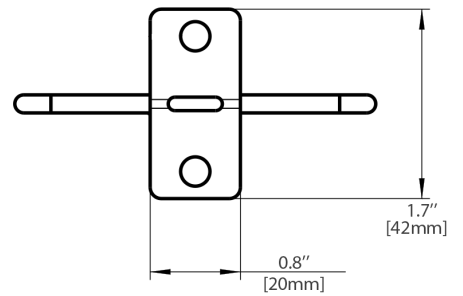
Top View



Side View



Back View



Dimensions are in inches. (Dimensions in parentheses are in millimeters).

Product List

I. Vertical Cable Manager List

Item No.	ID	Description
1	#73094	1.6" Single D-ring Vertical Cable Manager with M6 Model Screws and Nuts
2	#73093	3" Single D-ring Vertical Cable Manager with M6 Model Screws and Nuts
3	#64186	5U 3" Wide Plastic Vertical Cable Manager with Bend Radius Finger
4	#63033	45U 4.9" Wide Plastic Single Sided Vertical Cable Manager, (2) 22.5U Sections with Cover
5	#63030	45U 4.9" Wide Plastic Dual Sided Vertical Cable Manager, (2) 22.5U Sections with Cover

II. Matching Product List

Item No.	ID	Description
1	#70595	3ft (0.9m) Cat6 Snagless Unshielded (UTP) PVC CM Ethernet Network Patch Cable, Blue
2	#70664	2ft (0.6m) Cat6a Snagless Shielded (SFTP) PVC CMX Ethernet Network Patch Cable, Blue
3	#63440	1ft (0.3m) Cat6 Snagless Unshielded (UTP) PVC CM Slim Ethernet Network Patch Cable, Blue
4	#40191	1m (3ft) LC UPC to LC UPC Duplex OS2 PVC (OFNR) 2.0mm Fiber Optic Patch Cable
5	#68017	1m (3ft) MTP® Female Type B Plenum (OFNP) OM4 (OM3) 50/125 Elite Trunk Cable
6	#29015	25pcs/Bag 10in.L x 0.5in.W T type Reusable Cable Ties-Colorful
7	#97949	45U GF2-Series 2-Post Open Frame Rack



 <https://www.fs.com>



The information in this document is subject to change without notice. FS has made all efforts to ensure the accuracy of the information, but all information in this document does not constitute any kind of warranty.