

MTP®/MPO Breakout Cable Datasheet

IDEAL FOR DATA CENTER HIGH DENSITY CABLING SYSTEM

Designed for Storage Area Network (SAN) , Local Area Network (LAN) switch, Equipment Distribution Area (EDA) patch field applications.



MTP®/MPO Breakout Cable

MTP®/MPO breakout assemblies are used in parallel optics and duplex transmission cross connect systems to increase cable density between switch and server cabinets. Designed for high-density fiber patching in data centers, they ensure peak performance throughout your local area network. Allow for rapid deployment of high-density, multi-port patch field connectivity for Storage Area Network (SAN) applications.

Standards Compliance

- RoHS, CE (EN 50575 CPR), ISO9001 and WEEE Compliant
- EIA/TIA, Telecordia GR-326-CORE Standards
- IEC61754-7
- TIA 605-4 (FOCIS 5)
- YD/T1272.5

Features

- US Conec MTP® connectors, Senko MPO Plus® premium connectors
- Corning Clearcurve® multimode fiber, SMF-28® Ultra optical fiber
- LC, MDC, SC, FC, ST connectors available
- OS2, OM4, OM3 available
- 0.35dB elite low loss connector
- Custom staggering options available on tails
- Factory terminated and tested
- Pulling eyes are provided as an option to protect the fiber ends during installation

Technical Specification

Construction	Description
Fiber Count	8-144 Fibers
Fiber Mode	Single Mode: OS2 9/125µm Multimode: OM4 50/125µm, OM3 50/125µm
Fiber Brand	Corning ClearCurve® multimode fiber and SMF-28® Ultra optical fiber
Connector A	MTP® Female, Male; MPO Female, Male
Connector Brand	US Conec MTP®, Senko MPOPlus®
Connector B	LC, MDC, SC, FC, ST
Polarity	Type A, Type B, Type C
Cable Jacket Ratings	Plenum (OFNP) LowSmoke Zero Halogen (LSZH) Riser (PVC)

Color Codes	MTP®	MPO	LC	MDC
Cable Jackets	OS2: Yellow OM4: Magenta OM3: Aqua	OS2: Yellow OM4: Magenta OM3: Aqua	OS2: Yellow OM4: Magenta OM3: Aqua	OS2: Yellow
Connectors	OS2: Green OM4/OM3: Magenta/Aqua	OS2: Green OM4/OM3: Aqua	Single Mode: UPC Blue, APC Green Multimode: Magenta/Aqua	Single Mode: UPC Blue
Boots	8 Fibers: Grey 12 Fibers: Black 24 Fibers: Red	8/12/24 Fibers: Black	Single Mode: UPC White, APC Green Multimode: Beige	Single Mode: UPC Black

Technical Specification

Physical Properties	Description
Cable Diameter *	3.0mm
Breakout Leg	Duplex: 2.0mm, Simplex: 0.9/2.0mm
Breakout Length	0.3/0.5m
Minimum Bend Radius	Single Mode: 10.0mm, Multimode: 7.5mm
Operating Temperature	-10°C to +70°C
Storage Temperature	-40°C to +85°C

* Please kindly note that the cable diameter of standard single mode MTP®/MPO cable is 3.0mm, and as for cables with different bundles, the trunk diameter is different, as shown below.

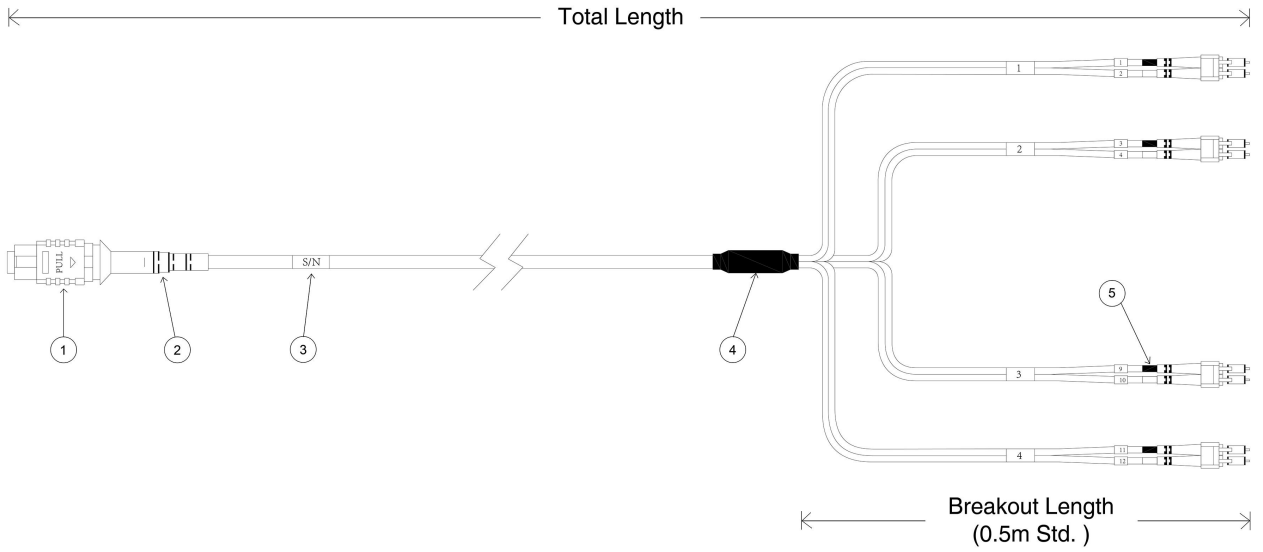
Bundle Count	MTP®/MPO-12	MTP®/MPO-24	Trunk Diameter
2 Bundles*	24 Fibers	48 Fibers	7.2mm
3 Bundles	36 Fibers	72 Fibers	9.3mm
4 Bundles	48 Fibers	96 Fibers	9.5mm
6 Bundles	72 Fibers	144 Fibers	11.7mm
8 Bundles	96 Fibers	/	12.01mm
12 Bundles	144 Fibers	/	17.3mm

* The "bundle" means a combination of several fibers. For example, as for MTP®/MPO-12 cables, 2 bundles mean 24 Fibers(2x 12F) ; for MTP®/MPO-24 cables, 2 bundles mean 48 Fibers(2x 24F).

Technical Specification

Construction	Description		
Wavelength (nm)	Single Mode: 1310/1550 Multimode: 850/1300		
Transmission Distance	OM4: 150m at 40/100G, 400m at 10G OM3: 100m at 40/100G, 300m at 10G		
Connector	MTP®/MPO		
Fiber Mode	Single Mode	Multimode	
Attenuation (dB/km)	≤0.32 at 1310nm ≤0.18 at 1550nm	≤2.3 at 850nm ≤0.6 at 1300nm	
Insertion Loss (dB)	≤0.35	≤0.35	
Return Loss (dB)	APC: ≥60, UPC: ≥50	UPC: ≥20	
Connector	LC/SC/FC/ST	MDC	
Fiber Mode	Single Mode	Multimode	Single Mode
Insertion Loss (dB)	APC: ≤0.3, UPC: ≤0.2	UPC: ≤0.2	UPC: ≤0.3
Return Loss (dB)	APC: ≥60, UPC: ≥50	UPC: ≥30	UPC: ≥50

Technical Drawing



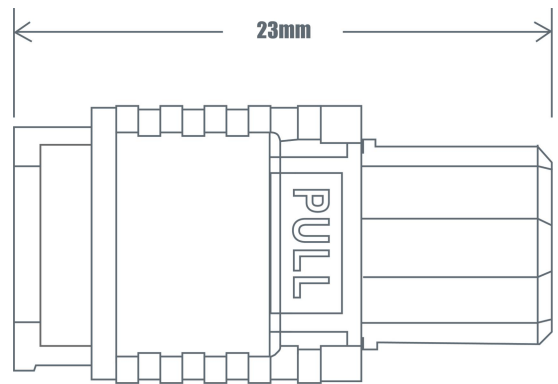
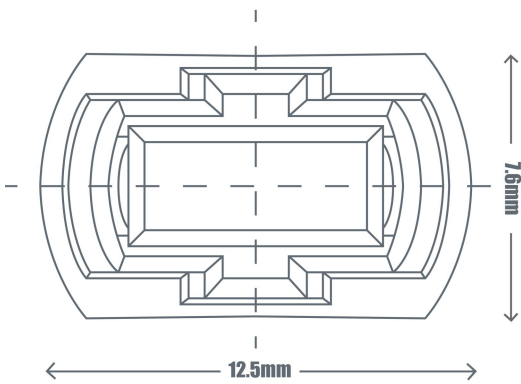
1. MTP®/MPO Connector

2. Connector Boot

3. Serial Number Label

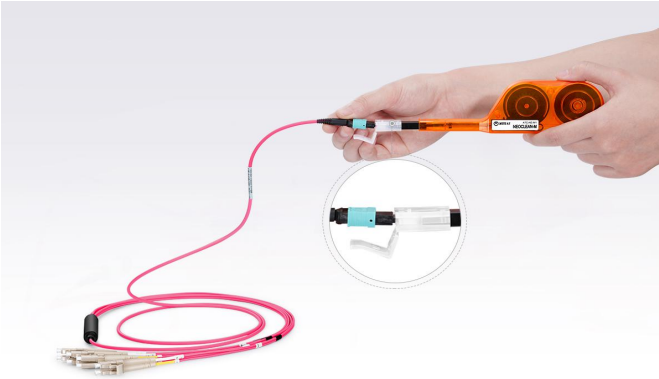
4. Fan Out Kit

5. LC Connector



Fiber Optic Cleaning

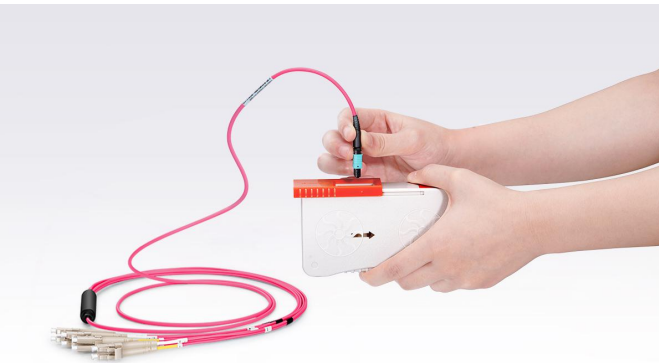
NEOCLEAN-M One-Push Cleaner



Characteristics

- For cleaning ferrules pinned or non-pinned.
- Designed for cleaning the ferrule end-faces of MTP®/MPO connectors.
- Narrow design reaches tightly spaced MTP®/MPO adapters.
- Cost effective tool for cleaning fiber end-faces without the use of alcohol.

CLE-BOX Fiber Optic Cassette Cleaner



Characteristics

- Made of non-alcohol superfine fiber ideal for fiber optic cleaning.
- Widely used in optical network maintenance, engineering or equipment.
- Cassette tapes are available for replacement after 500+ cleaning operations to ensure low cleaning cost.

ID	Description
#39697	NEOCLEAN-M One-Push Cleaner for MPO/MTP® Connector (600 cleans)

Test Center

Comprehensive performance testing system ensures more secure operation and keeps more stable and reliable data connection. 3D interferometer provides verification of MTP®/MPO polishing process, and making all parameters of the polished MT ferrule complies and exceeds industry standards. Clean optical connectors are paramount in providing a reliable, high-performance fiber optic infrastructure.

Professional Test Equipment



Test Assured Program



3D Interferometer Test



End-Face Inspection

BF MTP-LC Harness Cable						
Item	MTPF050LPC08M12M01MTPan R					
LPN No.	0217000000000101					
Rev.	1.0 (MTP) 0208					
Manufacturer	FS Inc.					
Connector	MPO-LC		LC-LC			
Channel	Color	Wavelength	Wavelength	Wavelength	Wavelength	Wavelength
1	Blue	1270	1270	1270	1270	1270
2	Orange	1310	1310	1310	1310	1310
3	Green	1550	1550	1550	1550	1550
4	Red	1625	1625	1625	1625	1625
5	White	N/A	N/A	N/A	N/A	N/A
6	White	N/A	N/A	N/A	N/A	N/A
7	Red	N/A	N/A	N/A	N/A	N/A
8	Black	N/A	N/A	N/A	N/A	N/A
9	Yellow	1310	1310	1310	1310	1310
10	White	1310	1310	1310	1310	1310
11	Black	1310	1310	1310	1310	1310
12	Blue	1310	1310	1310	1310	1310

Test Report of IL & RL

MTP®/MPO Breakout Cable Products List

ID	Description
#68047	1m (3ft) MTP® Female to LC, 8 Fibers OM4, Type B, Elite, Plenum
#68048	1m (3ft) MTP® Female to LC, 8 Fibers OS2, Type B, Elite, Plenum
#139611	1m (3ft) MTP® Female to MDC, 8 Fibers OS2, Type B, Elite, Plenum



 <https://www.fs.com>



The information in this document is subject to change without notice. FS has made all efforts to ensure the accuracy of the information, but all information in this document does not constitute any kind of warranty.