

# FMU 2-Slot 1U 19" Rack Chassis

Holds up to 2 Units FMU Plug-in Module



## Overview

FMU-1UFMX-N mounts to standard EIA19" rack rails, holding up to 2 units FMU Plug-in Module. This chassis consists of SPCC material, which provides high degree of protection and corrosion-resistant, to protect inside Mux/Demux Modules well. The rounded corner can also eliminate accidental injury or damage to installers.

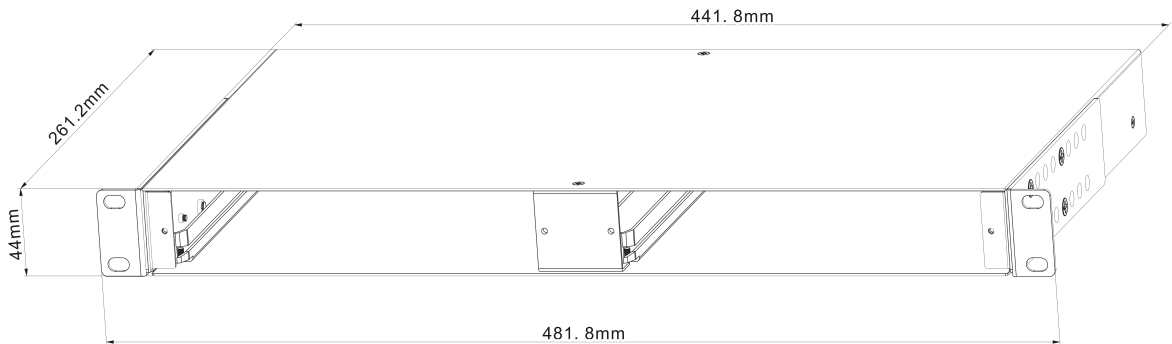
## Features

- Fully Compatible with the ITU Optical Grid
- Expands Existing Fiber Capacity Regardless of Service
- 2x 4-9 CWDM Wavelengths Mux/Demux Units
- 2x 4-8 DWDM Wavelengths Mux/Demux Units
- 2x 4 Channel DWDM/CWDM OADM Units, One- and Two-way Filter Solutions

## Technical Specification

Parameter	Value
<b>Max. Cassettes Capacity</b>	2 x FMU Plug-in Modules
<b>Material</b>	SPCC
<b>Dimensions (HxWxD)</b>	1.73" x 18.97" x 10.28" (44 x 481.8 x 261.2mm)
<b>Net Weight</b>	3.2kg (7lb)
<b>Enclosure Type</b>	1U Rack Mountable
<b>Installation</b>	Standard EIA 19" Rack Rails
<b>Accessories</b>	M6*15 Screw x 4 and M6 Nut x 4

## Product Dimension





 <https://www.fs.com>



The information in this document is subject to change without notice. FS has made all efforts to ensure the accuracy of the information, but all information in this document does not constitute any kind of warranty.