

Customized OTDR (Optical Time Domain Reflectometer)

Plug-in Card Type for FMT Multi-Service Transport System
Cable Monitoring System for WDM Networks



Description

FS OTDR is designed for remote fault detection and isolation, fiber level fault monitoring, span level fault monitoring and long span monitoring, which can measure fiber length, optical fiber transmission attenuation, splice attenuation and fault location, etc.

The ability to quickly identify and isolate network outages is a critical function for any network operator. With the OTDR module, optical fiber cable monitoring, fiber optic cable construction and maintenance are possible.

Features

- Remote fault detection and isolation
- Support fiber level fault, span level fault and long span monitoring
- High dynamic range combined with high resolution for highly accurate fiber characterization

Application

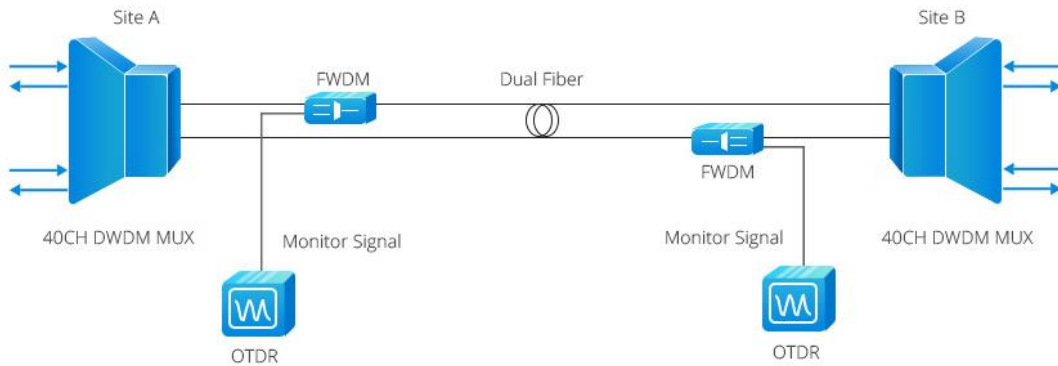
- Cable monitoring and maintaining system
- Optical fiber, cable, optical passive device loss measurement

Product Specifications

Dynamic Range	30~42dB	Wavelength (optional)	1550/1625 (±20 nm)
Optical Fiber	9/125µm SMF	Min Sampling Interval	0.25m
Event Dead Zone	≤2m	Attenuation Dead Zone	≤10m
Connector	SC/UPC	Joint Converter	LC/UPC
Maximum Sampling	32k	Management	Monitor Cable

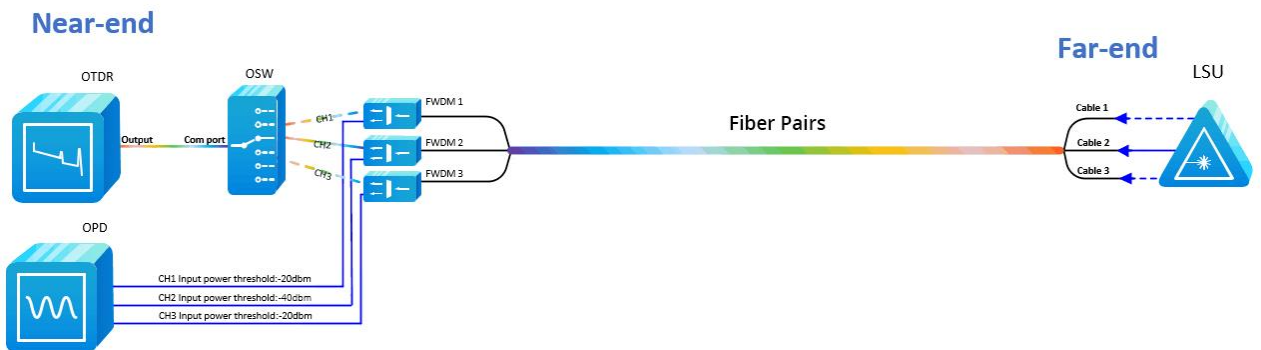
Embedded OTDR Modules in DWDM Networks

The live fiber monitoring solution allows to secure the fiber network by identifying fiber procedures (so-called tapping). Monitoring is achieved through ongoing OTDR measurements (Optical Time Domain Reflectometer) in live operation in DWDM networks.



Monitor Online System for Optical Cable

FS cable monitoring system is a centralized server solution that manages the status of cable and fiber network, as well as any fiber faults or performance degradation in your network. It consists of OPD, OTDR, OSW and LSU cards, and these cards are highly integrated via FS management platforms.

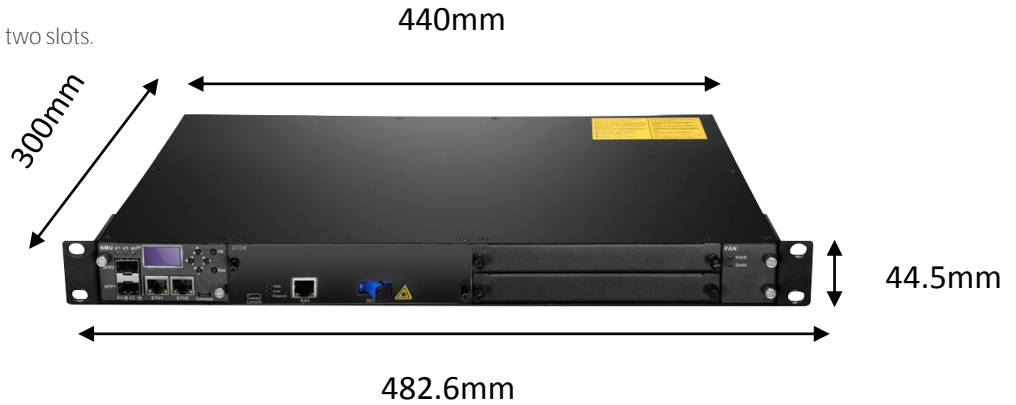


Dimensions

4-slot 1U managed chassis, supports up to 4x multiplexer/EDFA/OEO/OLP card with accessories;

- Width: 482.6mm(19")
- Height: 44.50mm(1.75")
- Depth: 300mm(11.81")

OTDR plug-in card occupies two slots.



Ordering Information

Mux Demux & OADM	
	<p>FMU-D402160M3 40 Channels 100GHz C21-C60, with 1310nm and Monitor Port, 3.5dB Typical IL, LC/UPC, Dual Fiber DWDM Mux Demux, 1U Rack Mount #35887</p>
DWDM MUX DEMUX	<p>M6200-D2160M 40 Channels 100GHz C21-C60 Dual Fiber DWDM Mux and Demux with Monitor Port, Pluggable Module, LC/UPC, Integrated with M6200 Series Managed Chassis #120424</p>
	<p>FMU-D162136EM3 16 Channels 100GHz C21-C36, with Monitor, Expansion and 1310nm Port, LC/UPC, Dual Fiber DWDM Mux Demux, 1U Rack Mount #72430</p>
	<p>FMU-MD085360EM3 CWDM/DWDM Hybrid Solution, 8 Channels 100GHz C53-C60, with Monitor, Expansion and 1310nm Port, LC/UPC, Dual Fiber DWDM Mux Demux, FMU Plug-in Module #72433</p>
CWDM MUX DEMUX	<p>FMU-C182761M 18 Channels 1270-1610nm, with Monitor Port, LC/UPC, Dual Fiber CWDM Mux Demux, 1U Rack Mount #33489</p>
	<p>FMU-MC084761EM 8 Channels 1470-1610nm, with Monitor and Expansion Port, LC/UPC, Dual Fiber, Low Insertion Loss CWDM Mux Demux, FMU Plug-in Module #78163</p>
LWDM MUX DEMUX	<p>ABS-L042930A 4 Channels 1295.56-1309.14nm, Single Fiber LAN-WDM Mux Demux, Side-A, ABS Pigtailed Module, LC/UPC #97782</p>
	<p>ABS-C062737A 6 Channels 1271-1371nm, Single Fiber CWDM Mux Demux, Side-A, ABS Pigtailed Module, LC/UPC #97784</p>
OADM	<p>DOADM-DF Customized Dual Fiber & Single Fiber DWDM OADM #70427</p>
	<p>COADM-DF Customized Dual Fiber & Single Fiber CWDM OADM #70425</p>
Chassis	<p>FMU-1UFMX-N FMU 2-Slot 1U 19" Rack Chassis Unloaded, holds up to 2 Units FMU Plug-in Module #30408</p>
	<p>FUD-1UFMX-N FUD 4-Slot 1U 19" Rack Chassis Unloaded, holds up to 4 Units FUD Plug-in Module #106578</p>

TRANSPONDERS & MUXPONDERS

25G [FMT4DL-OEO25GSFP28](#) 4 Channels 25G WDM Transponder (Converter), 8 SFP28/SFP+ Slots#92056

10G [FMT4DL-OEO10GSFP](#) 4 Channels WDM Transponder (Converter), 8 SFP/SFP+ Slots#30515

Chassis [FMT04-CH1U](#) 1U Managed Chassis Unloaded Platform, Supports up to 4x EDFA/OEO/OLP Card with Accessories #39214

[FMT-CH](#) Customized 1U/2U/4U Managed Chassis Unloaded, Supports up to 16x Multiplexer/EDFA/OEO/OLP Module with Accessories #70413

OPEN LINE SYSTEM

[FMT26PA-EDFA](#) 26dB Gain DWDM EDFA Pre-Amplifier, 16dBm Output#36524

[FMT20PA-EDFA](#) 20dB Gain DWDM EDFA Pre-Amplifier, 13dBm Output#72284

Amplifiers

[FMT17BA-EDFA](#) 17dBm Output DWDM EDFA Booster Amplifier, 17dB Gain #72283

[FMT-LA](#) In-Line EDFA for DWDM Solution#35924

[FMT40-DCM](#) 40KM DCF-based Passive Dispersion Compensation Module#65781

Dispersion Compensation [FMT80-DCM](#) 80KM DCF-based Passive Dispersion Compensation Module#65779

[FS-TDCM](#) C-band Tunable Dispersion Compensation Module (TDCM)#72427

[FMT-OLP2](#) 1+1 Optical Line Protection Switch (OLP)#66010

Line Protection [FMT-BDOLP](#) FMT-BDOLP, Optical Line Protection Switch (OLP)#72700

[FMT-BDSplitter](#) FMT-BDSplitter, Optical Splitter#73324

Red/Blue Filter [FMT-RB](#) 1x2 Single Fiber DWDM Splitter Red/Blue C Band Filter#65981

[FMT-OPD](#) 4 Channels 1550nm Optical Power Detection OPD (AIU)#78568

[FMT-OPM](#) Optical Performance Monitoring (OPM)#71586

Fiber Monitoring [FMT-OSW](#) 1x16 Multi-Channel Opto-Mechanical Optical Switches with Adjustable Channels Control#73287

[FMT-OTDR](#) Optical Time Domain Reflectometer (OTDR)#73281

[FMT-LSU](#) LSU Light Source Unit, Pluggable Module for FMT Multi-Service Transport Platform#78469

VOA Units [FS-VOA-C](#) Variable Optical Attenuator, 0~15dB, Pluggable Module, LC/UPC#65271

[AT-M-LCU](#) Fixed Fiber Optic Attenuators #70009

Chassis	FMT04-CH1U	1U Managed Chassis Unloaded Platform, Supports up to 4x EDFA/OEO/OLP Card with Accessories #39214
	FMT-CH	Customized 1U/2U/4U Managed Chassis Unloaded, Supports up to 16x Multiplexer/EDFA/OEO/OLP Module with Accessories #70413
WDM TRANSCEIVERS		
25G SFP28	DWDM-SFP25G-10	25G DWDM SFP28 100GHz 1563.86nm 10km DOM LC SMF Optical Transceiver Module #87000
	CWDM-SFP25G-40S	25G 1270nm CWDM SFP28 40km DOM LC SMF Optical Transceiver Module #100112
	CWDM-SFP25G-10SP	25G 1270nm CWDM SFP28 10km DOM LC SMF Optical Transceiver Module #76003
	LWDM-SFP25G-40	25G LWDM SFP28 1286.66nm 40km DOM LC SMF Optical Transceiver Module #93786
16G/8G FC	DWDM-SFP16G-40	Customized 16G DWDM SFP+ C20-C61 100GHz 40km DDM LC SMF Transceiver Module#73084
	DWDM-SFP16GH-40	Customized 16G DWDM SFP+ 50GHz 40km DDM LC SMF Transceiver Module #73085
	CWDM-SFP16G-40	Customized 16G Fiber Channel CWDM SFP+ 1470-1610nm 40km DDM LC SMF Transceiver Module #80765
10G SFP+	DWDM-SFP10G-80	10G DWDM SFP+ 1559.79nm 80km DOM LC SMF Transceiver Module, Commercial Temperature#31237, Industrial Temperature#113562
	DWDM-SFP10G-40	10G DWDM SFP+ 1560.61nm 40km DOM LC SMF Transceiver Module, Commercial Temperature#38731, Industrial Temperature#113511
	DWDM-SFP10G-C	10G DWDM C-band Tunable SFP+ 50GHz 80km DOM LC SMF Transceiver Module #69267
	CWDM-SFP10G-80L	10G CWDM SFP+ 1470nm 80km DOM LC SMF Transceiver Module #19367
	CWDM-SFP10G-40S	10G CWDM SFP+ 1270nm 40km DOM LC SMF Transceiver Module, Commercial Temperature#22168, Industrial Temperature#112392
1G SFP	DWDM-SFP1G-EZX	1000BASE-DWDM SFP 100GHz 1563.86nm 100km DOM LC SMF Transceiver Module #54150
	DWDM-SFP1G-ZX	1000BASE-DWDM SFP 1563.86nm 80km DOM LC SMF Transceiver Module #47697
	CWDM-SFP1G-EZX	1000BASE-CWDM SFP 1270nm 120km DOM LC SMF Transceiver Module #102776
	CWDM-SFP1G-ZX	1000BASE-CWDM SFP 1270nm 80km DOM LC SMF Transceiver Module #33234



 <https://www.fs.com>



The information in this document is subject to change without notice. FS has made all efforts to ensure the accuracy of the information, but all information in this document does not constitute any kind of warranty.