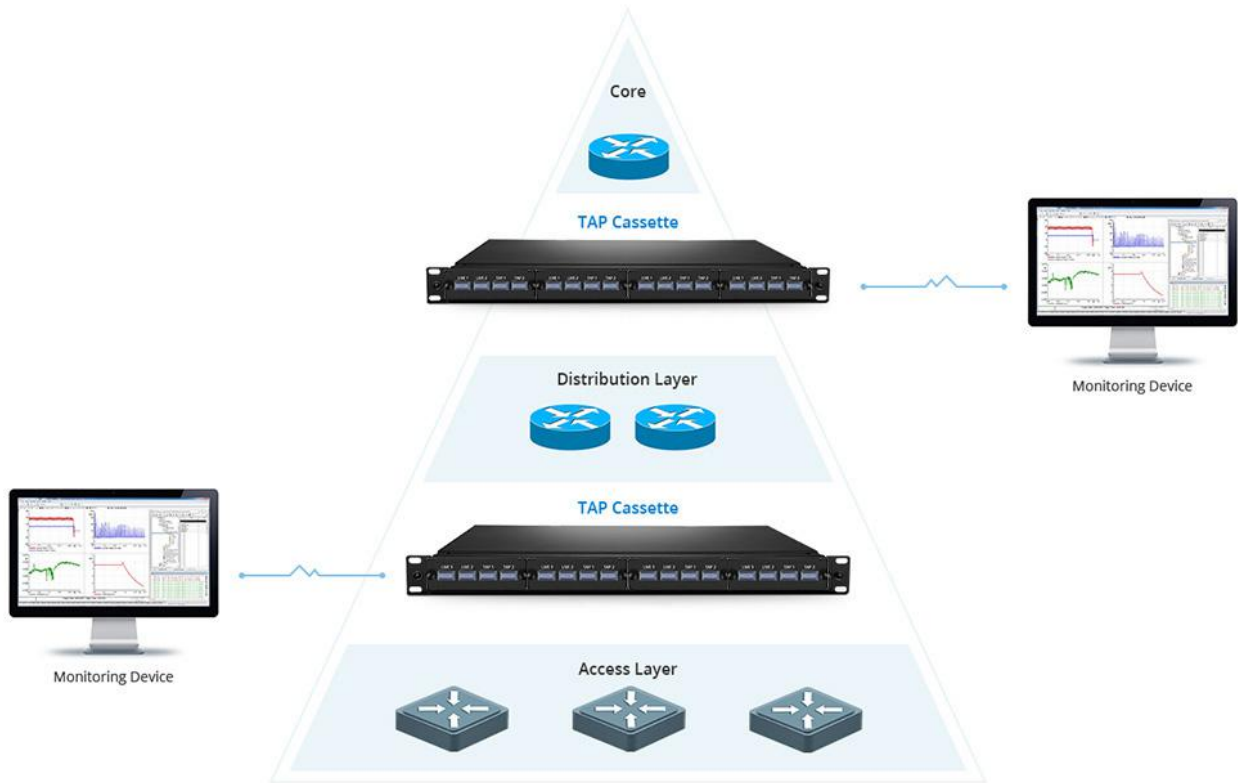


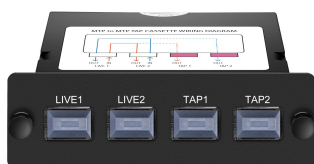
FHD MTP® to MTP® TAP Cassette Datasheet

Passive Network Monitoring Modular Cassette System



FHDLC to LCTAP Cassette

FHD fiber optic tapped cassettes are a highly effective and efficient means for mission-critical data centers and networks to obtain real-time network visibility. TAP cassettes provide passive optical tapping of live networks while maintaining full integrity of the data with no link downtime. FHD MTP® to MTP® TAP Cassette is available in multimode with split ratio of 50/50.



Features

- Passive in-line monitoring, no power is required.
- 100% secure and invisible, no IP address, no Mac address, cannot be hacked.
- Provides a window into your data for security or surveillance.
- Delivers low insertion loss to minimize impact on data flows.
- Ultra light, ultra-thin design provides great space savings in the network.
- Plug and play modules allow fast installation of multiple fiber links.
- Compatible with all FHD series enclosures.

Application

FHD TAP Cassettes are positioned in the network link between two network devices. The need for real-time network visibility of data traffic becomes vital for effective performance monitoring, robust security and functional business success.

Product Specification

I. Product Constructions

Fiber Count	24 Fibers
Fiber Mode	Multimode: OM4 50/125µm
Front Connector	4x MTP®-12 Male (Up to down)
Rear Connector	None
Material of Plate	Aluminium (AL5052)
Material of Sleeve	Zirconia Ceramic
Fiber Length	1.00±0.10m
Dimensions (HxWxD)	1.38"x4.29"x4.64" (35x109x118mm)

II. Performance Properties

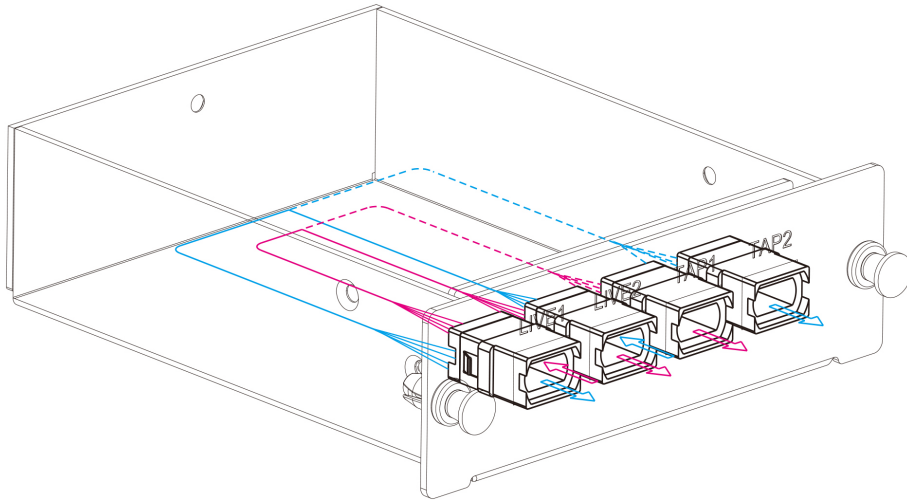
Split Ratio	50/50
Glass Fiber	Corning ClearCurve® Multimode
Insertion Loss (Live/Tap)	≤0.35dB
Return Loss (Live/Tap)	≥20dB
Operating Temperature	-10°C to 60°C
Storage Temperature	-10°C to 60°C
Installation Temperature	0°C to 60°C

Standards Compliance

- ISO9001 Certificate
- RoHS Compliant

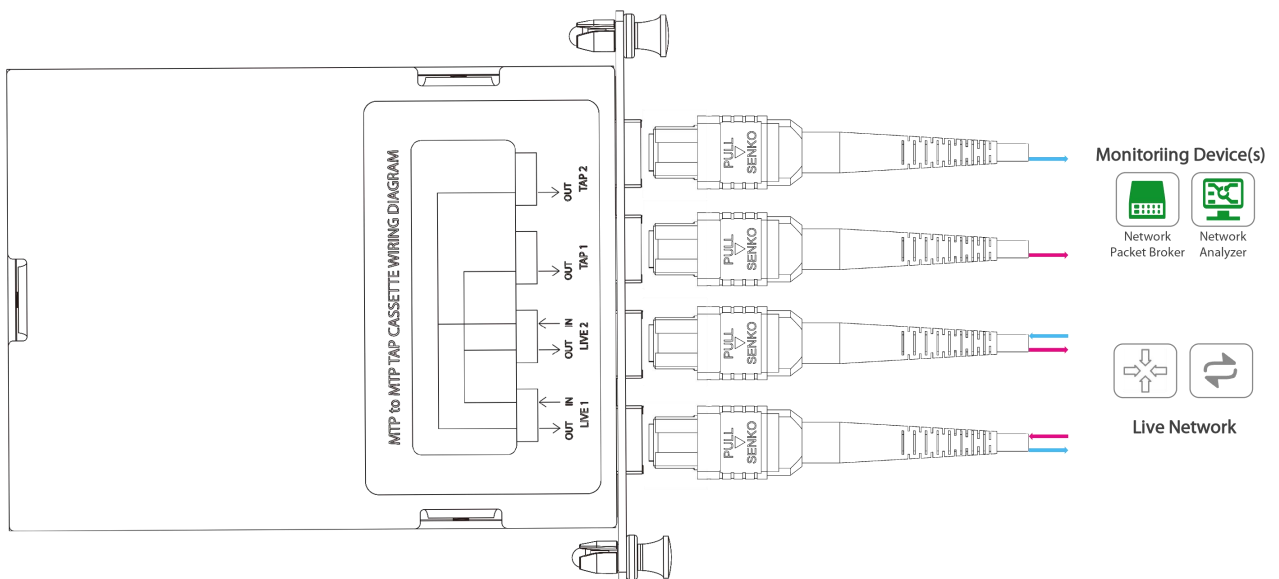
Inner Fiber Sequence

Each cassette includes high performance couplers that split the stream according to the required split ratio between the network and the monitoring port. They ensure a complete copy of your network's traffic reaches your security and monitoring tools with zero risk of packet loss.

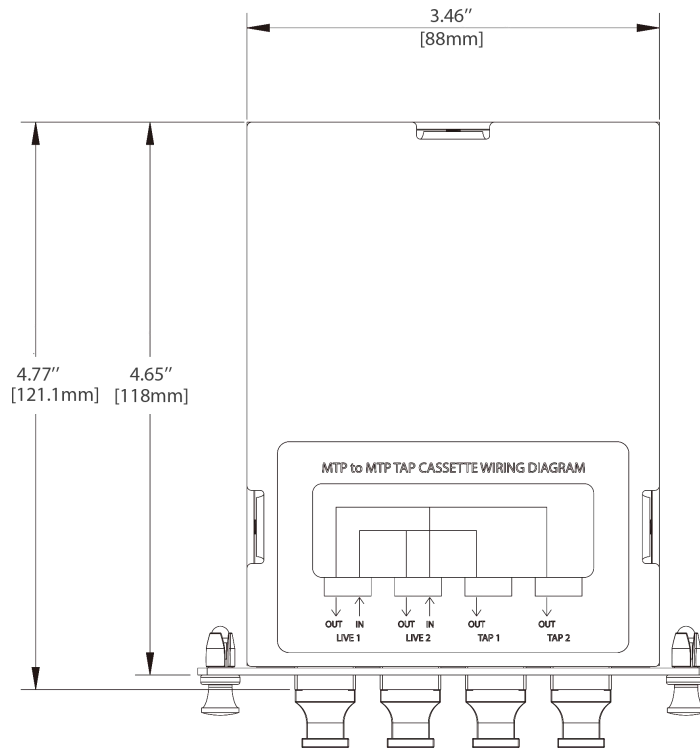


Network Flow

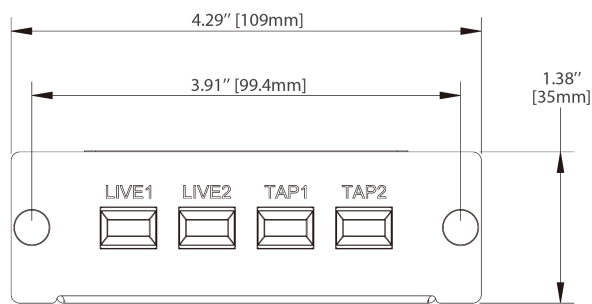
The TAP cassette enables to connect monitoring equipment to the existing high density network infrastructure, saving valuable space and providing flexibility in connecting and disconnecting monitoring equipment on demand, without interfering with live network traffic.



Technical Drawing



Top View



Front View

Dimensions are in inches. (Dimensions in parentheses are in millimeters).

FHD MTP® TAP Cassette List

Item No.	ID	Description
1	#63014	4x MTP® Male, 24 Fibers OM4 Multimode FHD TAP Cassette, 50/50, 40G

* More products information please click >

Matching Products List

Item No.	ID	Description
1	#70361	1U Rack Mount FHD High Density Slide-out Fiber Enclosure Unloaded
2	#73205	2U Rack Mount FHD High Density Slide-out Fiber Enclosure Unloaded
3	#73206	4U Rack Mount FHD High Density Slide-out Fiber Enclosure Unloaded
4	#34684	1U Rack Mount FHD High Density Fiber Enclosure Unloaded
5	#70419	1U Rack Mount FHD Modular Fiber Enclosure Panel
6	#50550	FHD Fiber Optic Wall Mount Enclosure, 2-Door 2-Adapter Panel
7	#68017	1m MTP® Female 12 Fibers Type B OFNP OM4 Multimode Elite Trunk Cable



 <https://www.fs.com>



The information in this document is subject to change without notice. FS has made all efforts to ensure the accuracy of the information, but all information in this document does not constitute any kind of warranty.