

FHD MTP® 12/24 Cassettes Datasheet

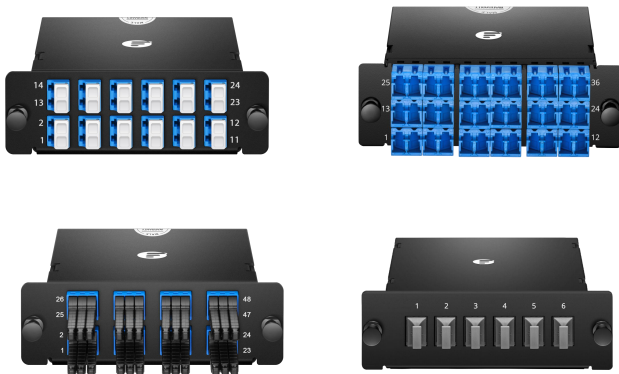
HIGH DENSITY

Pre-terminated Modular Cassette System



Description

FHD Fiber Optic MTP® Cassettes consist of pre-terminated LC, SC, MDC or MTP® adapters for quick and easy deployment in high density applications and provide efficient utilization of rack space and design flexibility. The cassettes interconnect with high-density fiber cable assemblies for quick connection of remote or data center applications.



Features

- High-density modular design, up to 144 fibers (LC) in 1U for efficient utilization.
- Pre-terminated cassette for improved reliability and quick deployment.
- High performance connectors to achieve a low loss optical budget.
- Plug-N-play modules allow fast installation of multiple fiber links.
- Offered in a wide range of performance and polarity configurations.
- The corning fiber compliant to Telcordia, EIA/TIA and IEC standards.

I. Product Constructions

Fiber Count	12 Fibers/24 Fibers/36 Fibers/48 Fibers
Fiber Mode	Multimode: OM3 50/125µm OM4 50/125µm Single Mode: OS2 9/125µm
Front Connector	Multimode: LC/SC Duplex with UPC Polish MTP® Adapter(s) with Male Ferrules (pins) and UPC Polish Single Mode: LC/SC Duplex with UPC/APC Polish MDC Duplex with UPC Polish MTP® Adapter(s) with Male Ferrules (pins) and APC Polish
Rear Connector	Multimode: MTP® Adapter(s) with Male Ferrules (pins) and UPC Polish Single Mode: MTP® Adapter(s) with Male Ferrules (pins) and APC Polish
Polarity Type	Type A/AF/B1/B2/Universal
Material	Aluminium (AL5052)
Dimensions (HxWxD)	1.38"x4.29"x4.64" (35x109x118mm), 1.38"x4.29"x6.22" (35x109x158mm)

II. Performance Properties

Rear Connector	US Conec MTP®
Insertion Loss	Multimode: Stand IL 0.6dB max. Ultra Low IL 0.35dB Max. Single Mode: Stand IL 0.75dB Max. Ultra Low IL 0.35dB Max.
Return Loss	Multimode: ≥20dB Single Mode: ≥60dB
Connector Durability	US Conec MTP® Connector Meets TIA/EIA-568.C.3A.4.9 Durability: 500 Mating Cycles

Note:

The US Conec MTP® connectors are fully compliant with the MPO standards, achieving higher performance levels when compared to generic MPO connectors.

III. Performance Properties

Front Connector	LC/SC/MDC Duplex or MTP® Adapter(s)
Fiber Mode	Multimode/Single Mode
Material of Sleeve	Zirconia Ceramic
Insertion Loss	Multimode: UPC ≤0.2dB Single Mode: APC ≤0.3dB UPC ≤0.2dB
Return Loss	Multimode: UPC ≥30dB Single Mode: APC ≥60dB UPC ≥50dB

IV. Environmental Characteristics

Operating Temperature	-10°C-60°C
Storage Temperature	-10°C-60°C

Standards Compliance

- ISO9001 Certificate
- RoHS Compliant
- ISO14001 Compliant

Polarity Illustration

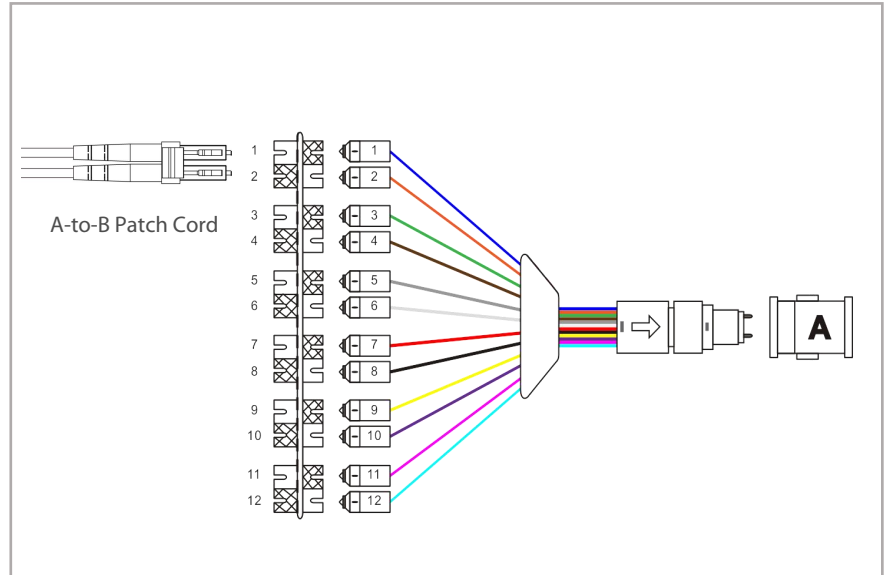
In any installation, it is important to ensure that the transmitter at one end matches the corresponding receiver at the other end. FS provides a number of intelligent solutions that can help you manage and optimize your network and its connectivity.

I. MTP® -12 Cassette, Type A



Port Labeling	2	4	6	8	10	12
	1	3	5	7	9	11

Inner Sequence	2	4	6	8	10	12
	1	3	5	7	9	11

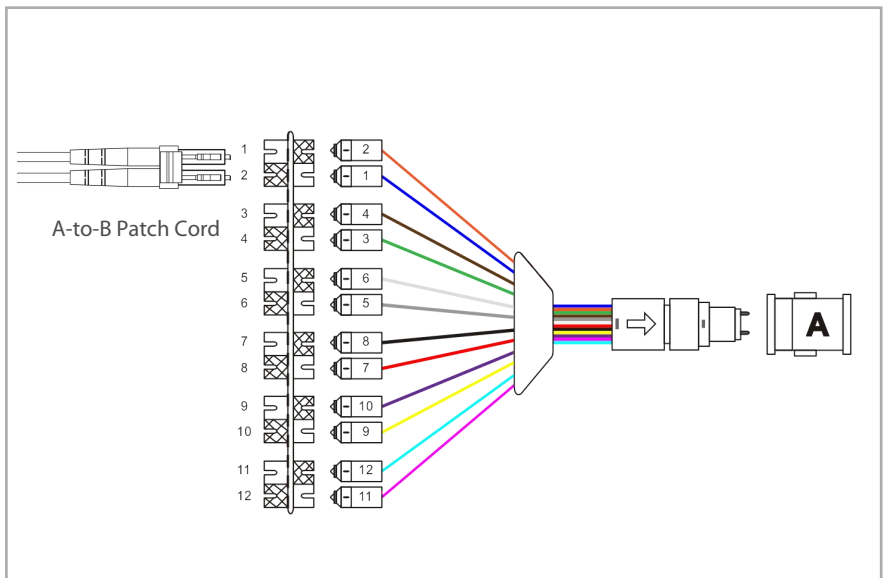


II. MTP® -12 Cassette, Type AF



Port Labeling	2	4	6	8	10	12
	1	3	5	7	9	11

Inner Sequence	1	3	5	7	9	11
	2	4	6	8	10	12



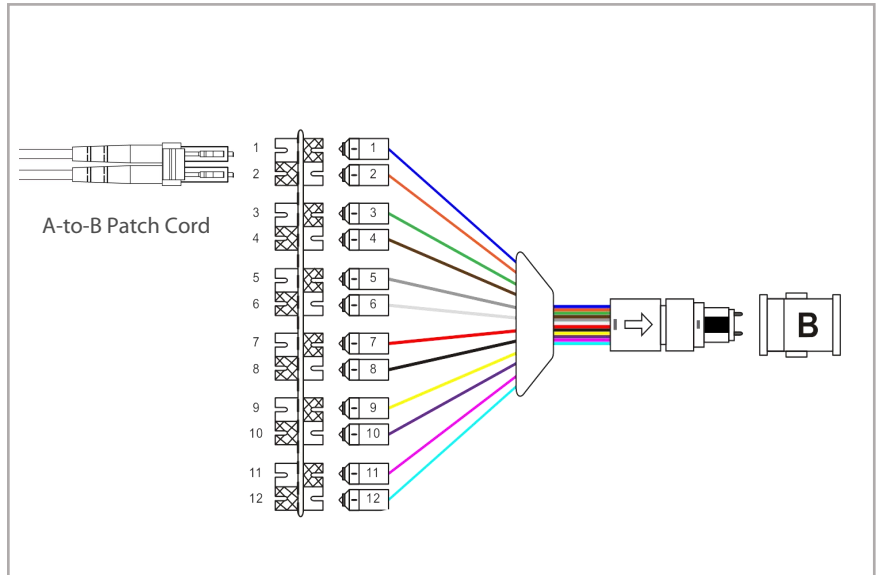
Note: Type A and Type AF are used as a pair in a two cassette method A link.

III. MTP® -12 Cassette, Type B1



Port Labeling	2	4	6	8	10	12
	1	3	5	7	9	11

Inner Sequence	2	4	6	8	10	12
	1	3	5	7	9	11

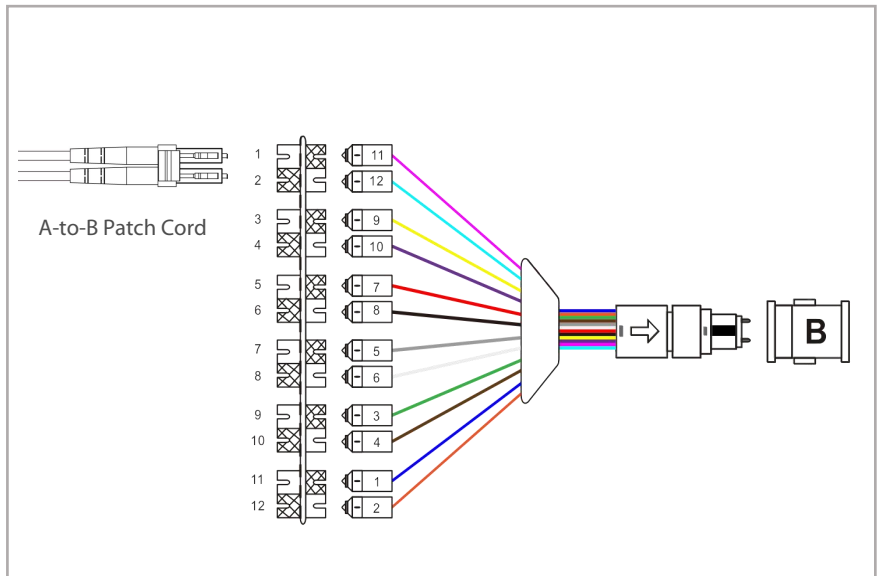


IV. MTP® -12 Cassette, Type B2



Port Labeling	2	4	6	8	10	12
	1	3	5	7	9	11

Inner Sequence	12	10	8	6	4	2
	11	9	7	5	3	1



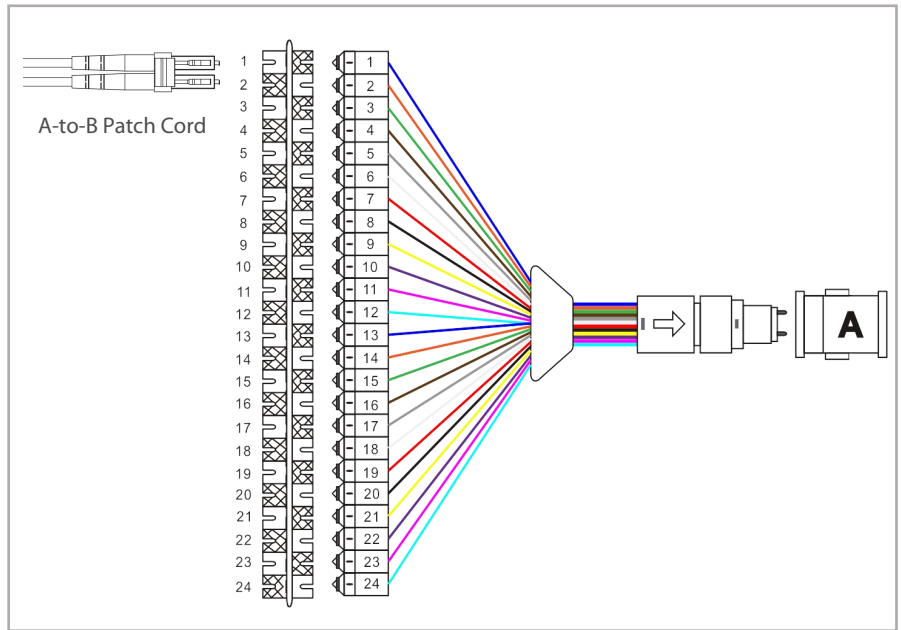
Note: Type B1 and Type B2 are used as a pair in a two cassette method B link.

VI. MTP® -24 Cassette, Type A



Port Labeling	14	16	18	20	22	24
	13	15	17	19	21	23
	2	4	6	8	10	12
	1	3	5	7	9	11

Inner Sequence	14	16	18	20	22	24
	13	15	17	19	21	23
	2	4	6	8	10	12
	1	3	5	7	9	11

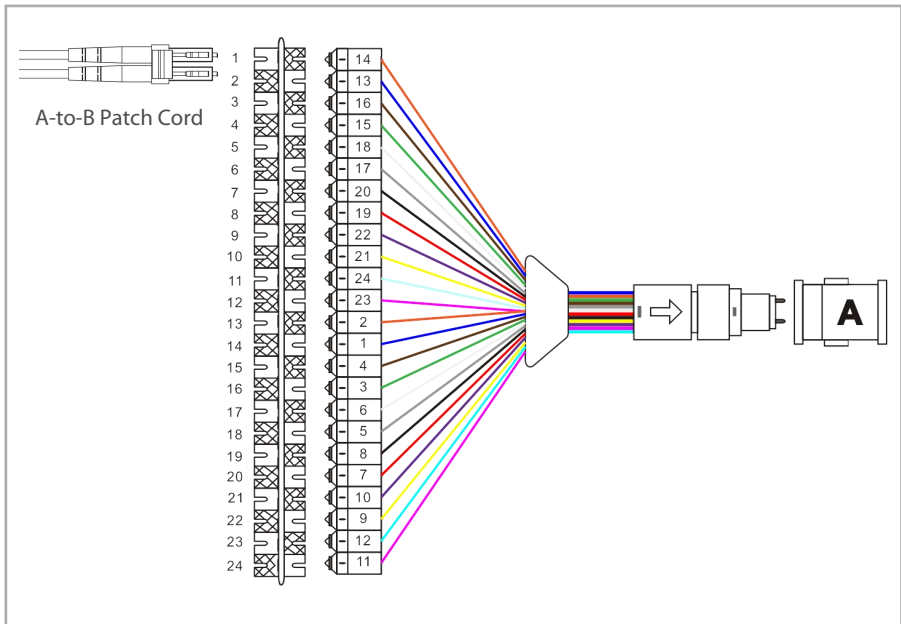


VIII. MTP® -24 Cassette, Type AF



Port Labeling	14	16	18	20	22	24
	13	15	17	19	21	23
	2	4	6	8	10	12
	1	3	5	7	9	11

Inner Sequence	1	3	5	7	9	11
	2	4	6	8	10	12
	13	15	17	19	21	23
	14	16	18	20	22	24



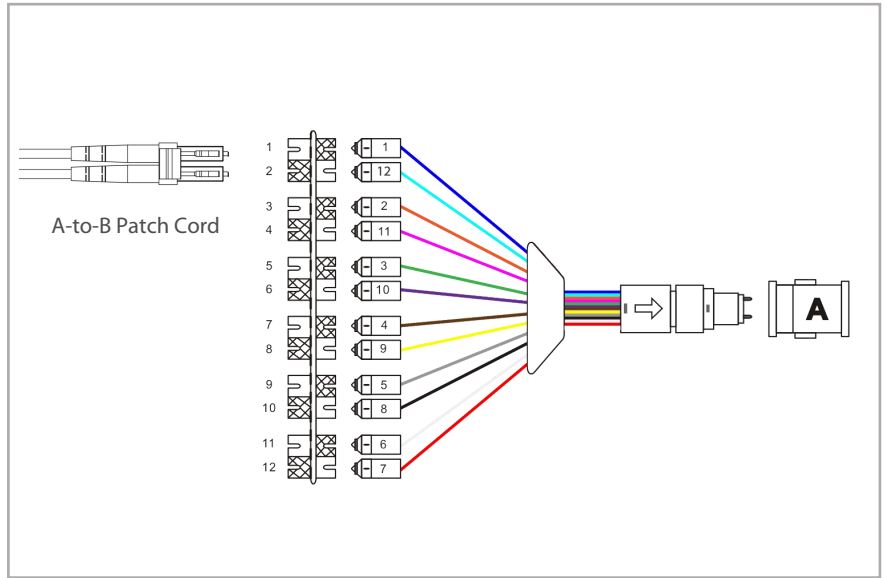
Note: Type A and Type AF are used as a pair in a two cassette method A link.

V. Universal



Port Labeling	2	4	6	8	10	12
	1	3	5	7	9	11

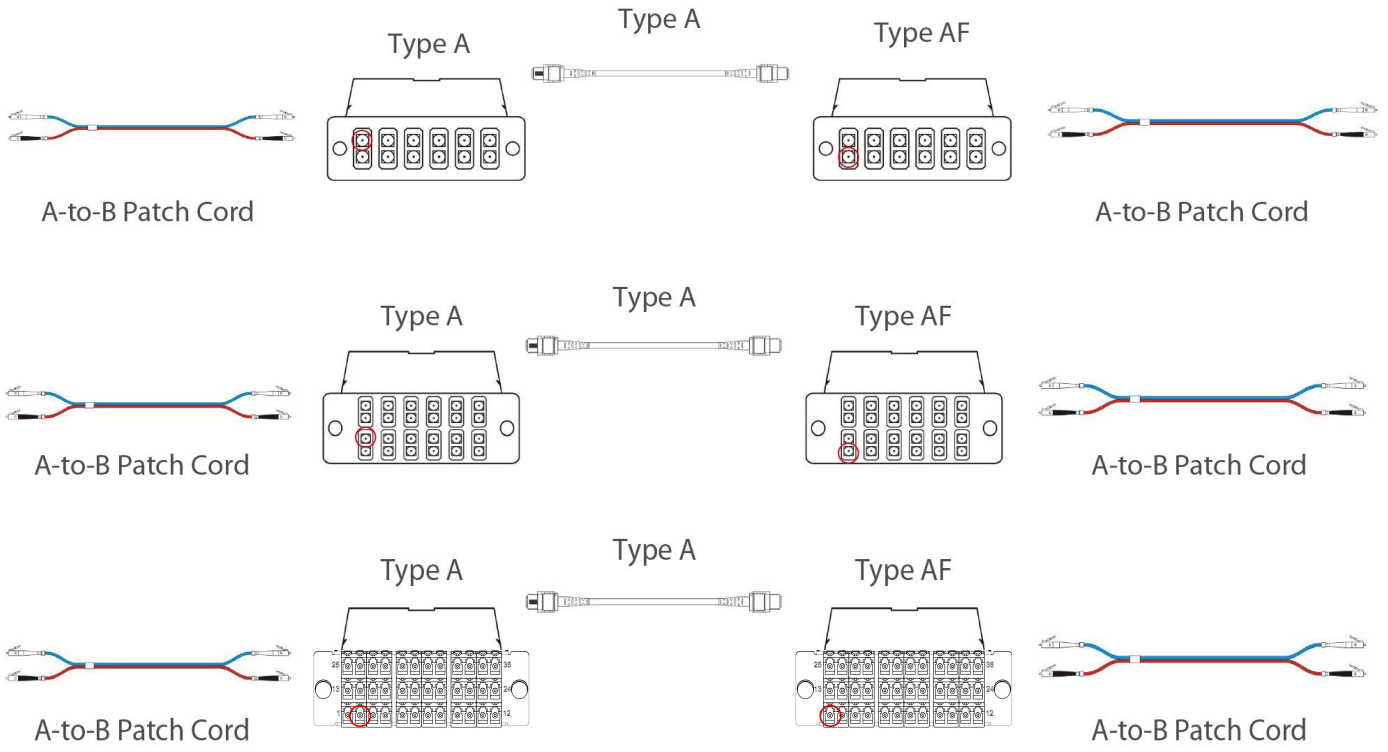
Inner Sequence	12	11	10	9	8	7
	1	2	3	4	5	6



Note: One universal polarity cassette is used on each end in a method B link, and this link enable moves, adds and changes without polarity concerns.

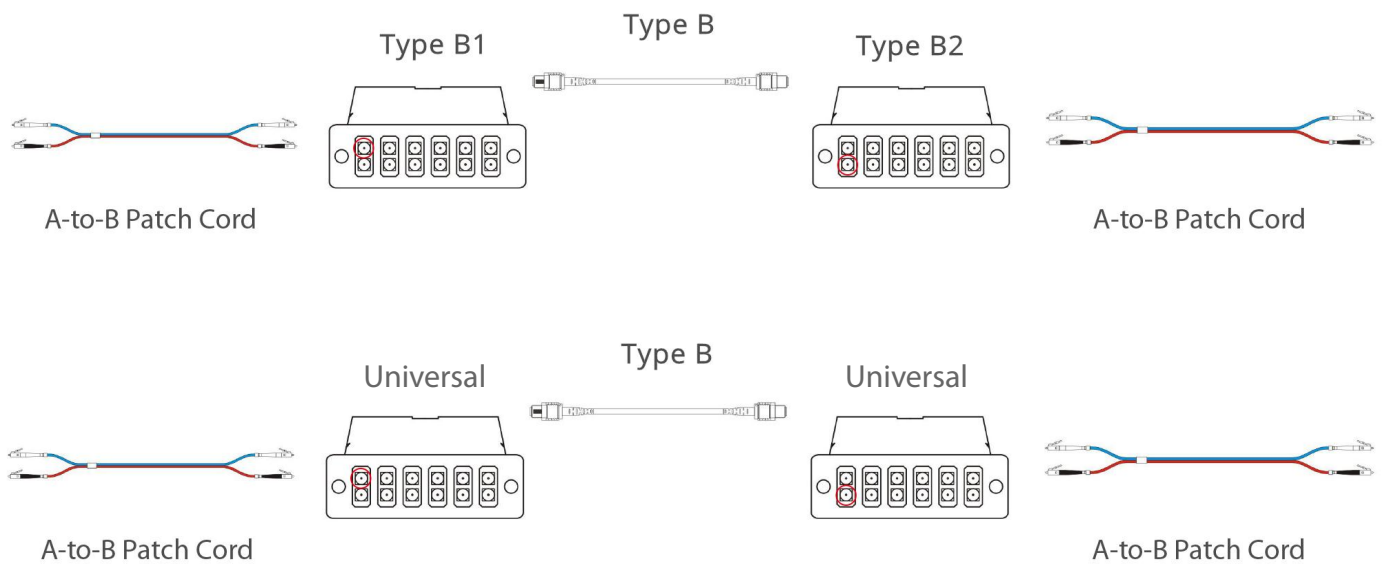
VII. Method for Achieving Fiber Polarity

1. Connectivity Method A for Duplex Signals



Note: The transmission of the signal is P2 in and P1 out.

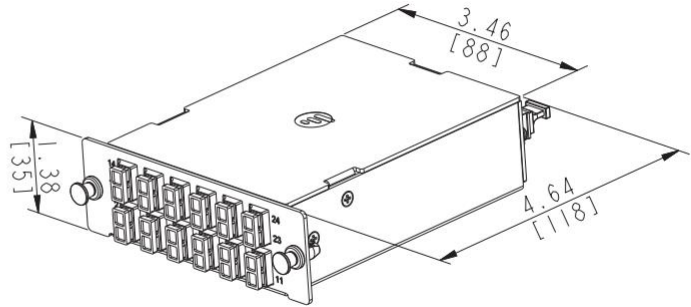
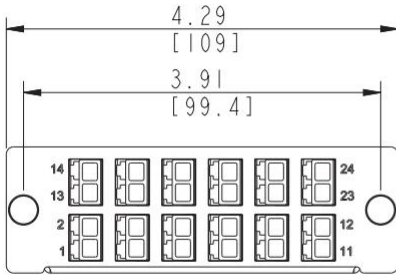
2. Connectivity Method B for Duplex Signals



Note: The transmission of the signal is P2 in and P1 out.

Layout and Dimensions

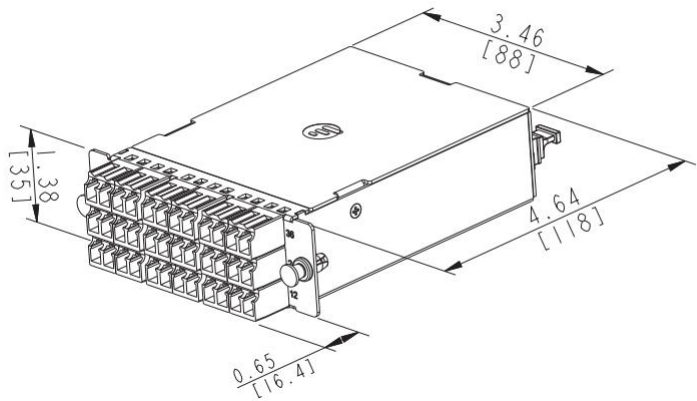
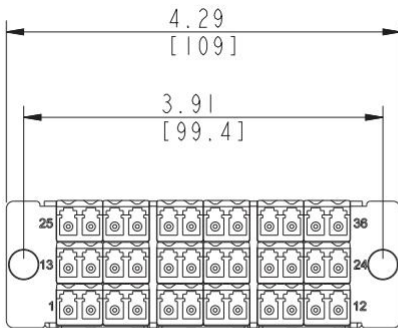
• 12/24F LC & 12F SC Cassette



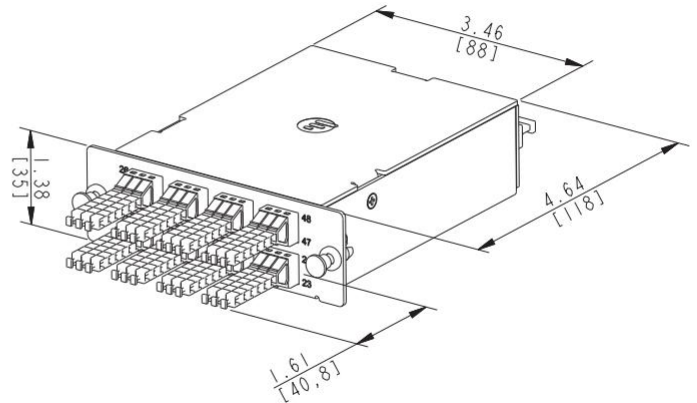
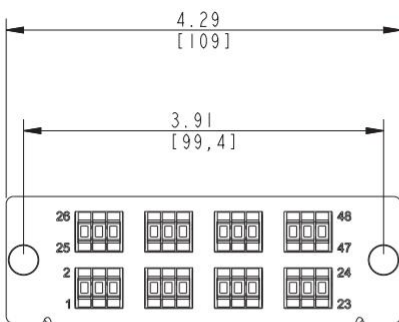
Note:

12F/24F LC and 12F SC Cassettes are of the same dimensions.

• 36F LC Cassette



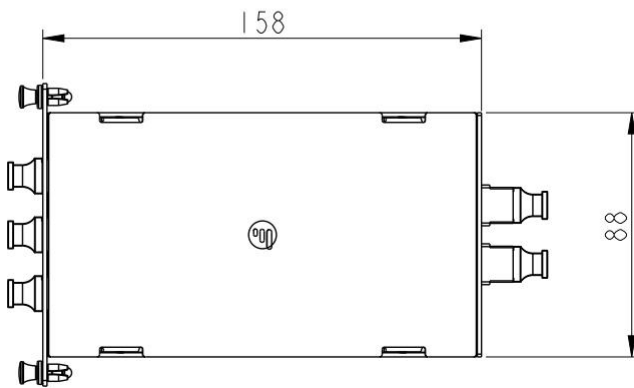
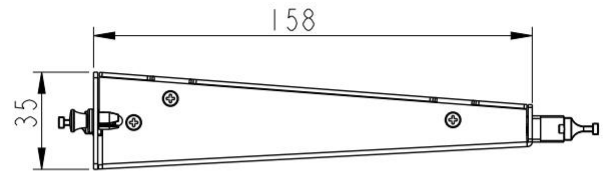
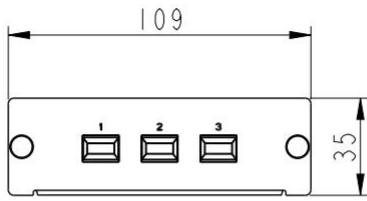
• 48F MDC Cassette



Dimensions are in inches. (Dimensions in parentheses are in millimeters).

Layout and Dimensions

• 12/24F MTP® -MTP® Cassette



Dimensions in parentheses are in millimeters

Ordering Information

A	B	C	D	E	F	G	H	I
Fiber Count	Rear Connector	Fiber Mode	Front Connector	Polish Type	Insertion Loss(dB)	Polarity	Front Color	Rear Color
12F	MTP®-12	OS2	LC Duplex	UPC	Elite 0.35	Type A	Blue	Black
24F	MTP®-24	OM3	SC Duplex	APC	Standard 0.6/0.75	Type AF	Aqua	
36F		OM4	MDC Duplex			Type B1	Black	
48F						Type B2		
						Universal		

Note:

Type B: Multimode cassettes only

Universal: MTP®-12 cassettes and some MTP®-24 Cassettes

SC Adapter: 12-Fiber only

MTP Connector (Single Mode): APC polish as default

MTP Connector (Multimode): UPC polish as default

Hot Products

ID	Description
#57016	MTP®-12 to 6x LC Duplex, 12 Fibers OS2 Single Mode FHD MTP® Cassette, Type A
#57017	MTP®-12 to 6x LC Duplex, 12 Fibers OM4 Multimode FHD MTP® Cassette, Type A
#57023	MTP®-24 to 12x LC Duplex, 24 Fibers OS2 Single Mode FHD MTP® Cassette, Type A
#57024	MTP®-24 to 12x LC Duplex, 24 Fibers OM4 Multimode FHD MTP® Cassette, Type A
#57341	2x MTP®-12 to 12x LC Duplex, 24 Fibers OS2 Single Mode FHD MTP® Cassette, Type A
#57342	2x MTP®-12 to 12x LC Duplex, 24 Fibers OM4 Multimode FHD MTP® Cassette, Type A
#105333	3x MTP®-12 to 18x Shuttered LC Duplex, 36 Fibers OS2 Single Mode FHD MTP® Cassette, Type A
#105335	3x MTP®-12 to 18x Shuttered LC Duplex, 36 Fibers OM4 Multimode FHD MTP® Cassette, Type A
#147014	4x MTP®-12 to 8x 3-Port MDC Duplex, 48 Fibers OS2 Single Mode FHD MTP® Cassette, Type A
#167162	MTP®-24 to 3x MTP® -8, 24 Fibers OS2 Single Mode FHD MTP® Cassette, Universal
#167163	2x MTP®-12 to 3x MTP® -8, 24 Fibers OM4 Multimode FHD MTP® Cassette, Universal
#167161	4x MTP®-6x MTP® -8, 48 Fibers OM4 Multimode FHD MTP® Cassette, Universal

* More products information please click >

Matching Products

ID	Description
#96427	1U Rack Mount FHD High Density Fiber Enclosure Unloaded, Holds up to 4x FHD Cassettes or Panels
#70361	Upgrading 1U Rack Mount FHD High Density Slide-out Fiber Enclosure Unloaded
#73205	Upgrading 2U Rack Mount FHD High Density Slide-out Fiber Enclosure Unloaded
#73206	Upgrading 4U Rack Mount FHD High Density Slide-out Fiber Enclosure Unloaded
#50550	2-Door 2-Adapter Panel Wall Mount Fiber Enclosure
#70419	1U Rack Mount FHD Modular Fiber Enclosure Panel, Holds up to 4x FHD Cassette or Panels
#68299	LC UPC to LC UPC Duplex 0.15dB IL OM4 Multimode PVC (OFNR) 2.0mm BIF Fiber Optic Patch Cable
#40191	LC UPC to LC UPC Duplex OS2 Single Mode PVC (OFNR) 2.0mm Fiber Optic Patch Cable
#68018	1m (3ft) MTP® Female, 12F OS2, Type B, Elite, Plenum (OFNP)
#68041	1m (3ft) MTP® Female, 24F OM4, Type A, Elite, Plenum (OFNP)
#72166	LC UPC to LC UPC Flat Clip Uniboot Duplex OS2 PVC (OFNR) 2.0mm BIF Fiber Optic Patch Cable
#72170	LC UPC to LC UPC Flat Clip Uniboot Duplex OM4 PVC (OFNR) 2.0mm BIF Fiber Optic Patch Cable
#105341	Fiber/Copper Connector Insertion & Extraction Tool for LC/SC/MU/MT-RJ/RJ45 Connectors
#130963	1m (3ft) MDC UPC to MDC UPC Uniboot Duplex OS2 Single Mode Fiber Patch Cable 2.0mm
#68107	10m (33ft) MTP®-12 (Female) to MTP®-12 (Female) OM4 Multimode Elite Trunk Cable, 12 Fibers, Type A, Plenum (OFNP)
#31012	Customized 24-144 Fibers MTP®-24 OS2 Single Mode Elite Trunk Cable, Yellow
#68047	1m (3ft) MTP® Female to 4 LC UPC Duplex 8 Fibers Type B Plenum (OFNP) OM4 50/125 Multimode Elite Breakout Cable

Note: 36F fiber cassttes are not recommended to fit in FHD series wall mount enclosure (#50550).



 <https://www.fs.com>



The information in this document is subject to change without notice. FS has made all efforts to ensure the accuracy of the information, but all information in this document does not constitute any kind of warranty.