

# FHD-1U-CMP400 Modular Enclosure

High capacity, high-density solution maximizes rack space utilization and reduces floor space requirements for lower overall system costs



## FHD Rack Mount Modular Enclosure

FHD Fiber Optic Modular Enclosure could provide a flexible and modular system for managing fiber connections, and patching for all applications. This modular enclosure accommodates up to four FHD cassettes or panels within a one rack unit space.

## Features

- Compatible with All FHD Cassettes and Panels
- Up to 144 Fibers (LC) or 1,152 Fibers (MTP®-24)
- Hybrid Type for Both Fiber and Copper Solution
- 1U Design, Mount to Standard EIA 19" Rack Rails
- Build-in Cable Managers for Easy Maintenance

## Standards Compliance

- TIA/EIA-568-C.3
- RoHS Compliant
- ISO9001 Certificate
- Reach Compliant



### Product Specifications

<b>No. of Rack Spaces</b>	1U
<b>Fiber Count</b>	Up to 144 Fibers (LC) or 1,152 Fibers (MTP®-24)
<b>Product Type</b>	Modular Enclosure
<b>Mounting Type</b>	Rack Mount
<b>Shielding Type</b>	Unshielded
<b>Material</b>	Steel, Powder-coated Black
<b>Dimensions (HxWxD)</b>	1.73"x19"x7.67" (44x482.6x194.8mm)
<b>Installation</b>	Standard EIA 19" Rack Rails
<b>Loaded</b>	Unloaded
<b>Application</b>	Accepts FHD Adapter Panels/Cassettes

### Environmental Characteristics

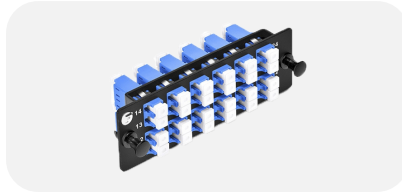
<b>Operating Temperature</b>	-25°C to 50°C
<b>Storage Temperature</b>	-40°C to 65 °C
<b>Installation temperature</b>	0°C to 50°C

## Product Application

### I. LC Fiber Patch Cable Connections



①



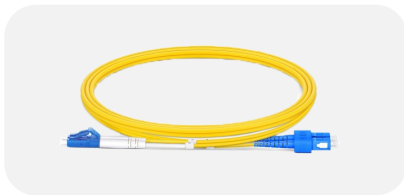
②



③

Item No.	#ID	Description
1	#40191	1m (3ft) LC UPC to LC UPC Duplex Single Mode Fiber Optic Patch Cable
2	#35488	12x LC Duplex, 24 Fibers OS2 Single Mode FHD Fiber Adapter Panel
3	#70419	FHD 1U Rack Mount Modular Enclosure

### II. SC Fiber Patch Cable Connections



①



②

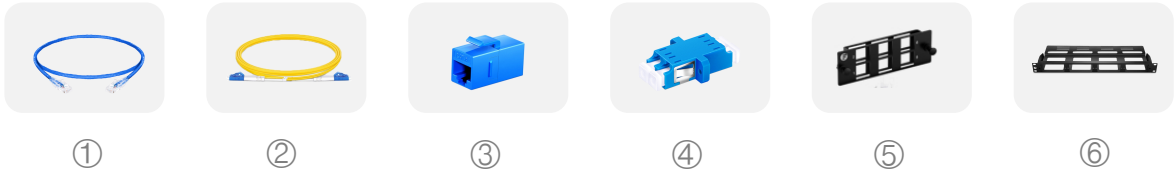


③

Item No.	#ID	Description
1	#40214	1m (3ft) LC UPC to SC UPC Duplex Single Mode Fiber Optic Patch Cable
2	#35484	6x SC Duplex, 12 Fibers OS2 Single Mode FHD Fiber Adapter Panel
3	#70419	FHD 1U Rack Mount Modular Enclosure

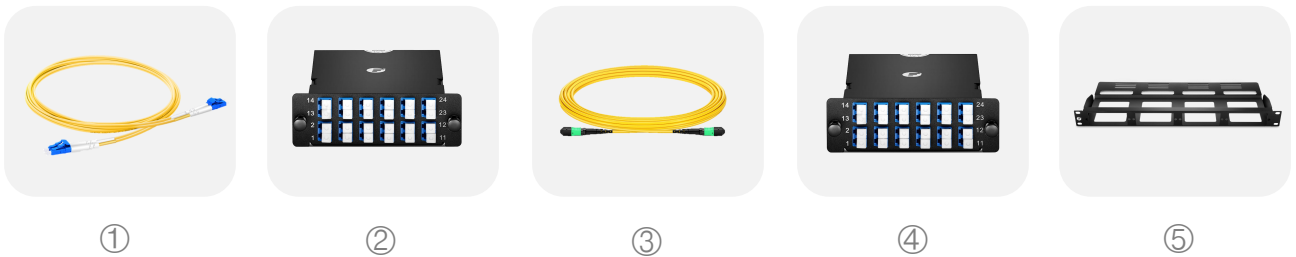
**NOTE:** The basic application and matching products for the modular enclosure are shown for reference.

### III. Copper and Fiber Patch Cable Connections



Item No.	#ID	Description
1	#70595	3ft (0.9m) Cat6 Snagless Unshielded (UTP) PVC CM Ethernet Network Patch Cable, Blue
2	#40191	1m (3ft) LC UPC to LC UPC Duplex Single Mode Fiber Optic Patch Cable
3	#41591	Cat6 Keystone RJ45 Coupler, Unshielded, Female to Female Insert Inline Coupler - Blue
4	#76105	LC/UPC to LC/UPC Duplex Single Mode SC Footprint Plastic Fiber Optic Adapter/Coupler with Flange (10pcs/pack)
5	#66602	FHD 6-Port Multimedia Copper/Fiber Modular Panel with 6x Plastic Clips
6	#70419	FHD 1U Rack Mount Modular Enclosure

### IV. MTP® Cabling Management



Item No.	#ID	Description
1	#68294	1m (3ft) Grade B LC UPC to LC UPC Duplex OS2 Fiber Patch Cable
2	#57341	2x MTP®-12 to 12x LC Duplex, Type A, 24 Fibers OS2 FHD MTP®/MPO Cassette
3	#68102	5m (16ft) MTP® Female 12 Fibers OS2 9/125 Single Mode Trunk Cable, Type A
4	#68540	2x MTP®-12 to 12x LC Duplex, Type AF, 24 Fibers OS2 FHD MTP®/MPO Cassette
5	#70419	FHD 1U Rack Mount Modular Enclosure

**NOTE:** The basic application and matching products for the modular enclosure are shown for reference.

## FHD Enclosure Capacity

Description	#ID	Part Number	Capacity	Fiber Count
FHD 1U Sliding Rack Mount Enclosure	#70361	FHD-1UFCE	4 ports	144F
FHD 2U Sliding Rack Mount Enclosure	#73205	FHD-2UFCE	8 ports	288F
FHD 4U Sliding Rack Mount Enclosure	#73206	FHD-4UFCE	12 ports	432F
FHD 1U Fixed Rack Mount Enclosure	#96427	FHD-1UFMT-N	4 ports	144F
FHD 1U Modular Rack Mount Enclosure	#70419	FHD-1U-CMP400	4 ports	144F
FHD 1U Blank Rack Mount Enclosure	#72910	FHD-FPP5DRL	4 ports	144F

## Fiber Enclosure Loading List

### I. Fiber Adapter Panel

Description	#ID (OS2)	#ID (OM4)
24F, 12x LC Duplex Fiber Adapter Panel	#35488	#51284
12F, 6x SC Duplex Fiber Adapter Panel	#35484	#41998
12x MTP® Key Up to Key Down Fiber Adapter Panel	#35510	#35510
8x MTP® Key Up to Key Up Fiber Adapter Panel	#52022	#52022
FHD 6-Port Multimedia Copper/Fiber Modular Panel with 6x Plastic Clips	#66602	#66602

### II. MTP®/MPO Cassette

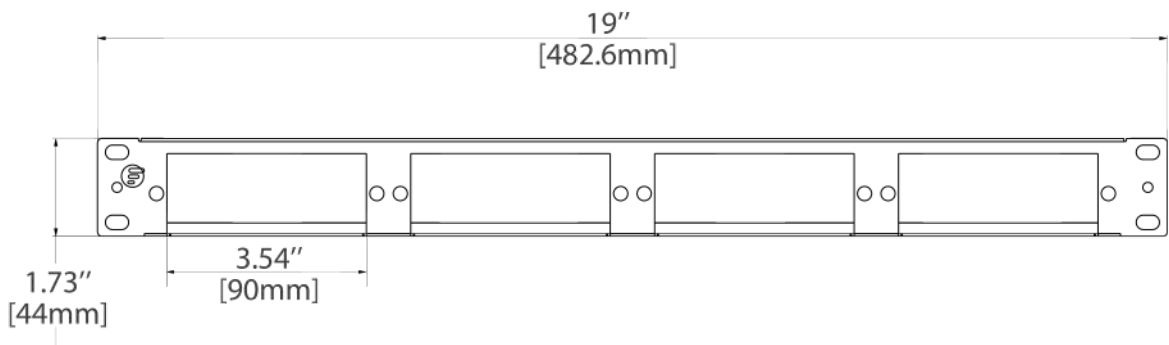
Description	#ID (OS2)	#ID (OM4)
8F, MTP®-8 to 4x LC Duplex Cassette	#68401	#68402
12F, MTP®-12 to 6x LC Duplex Cassette, Type A	#57016	#57017
12F, MTP®-12 to 6x LC Duplex Cassette, Type AF	#57037	#57038
24F, 2x MTP®-12 to 12x LC Duplex Cassette, Type A	#57341	#57342
24F, 2x MTP®-12 to 12x LC Duplex Cassette, Type AF	#68540	#68541
36F, 3x MTP®-12 to 12x LC Duplex Cassette, Type A	#105333	#105335
36F, 3x MTP®-12 to 12x LC Duplex Cassette, Type AF	#105334	#105336
24F, MTP®-24 to 12x LC Duplex Cassette, Type A	#57023	#57024
24F, MTP®-24 to 12x LC Duplex Cassette, Type AF	#68549	#68550

\*MTP® is a registered trademark of US Conec Ltd.

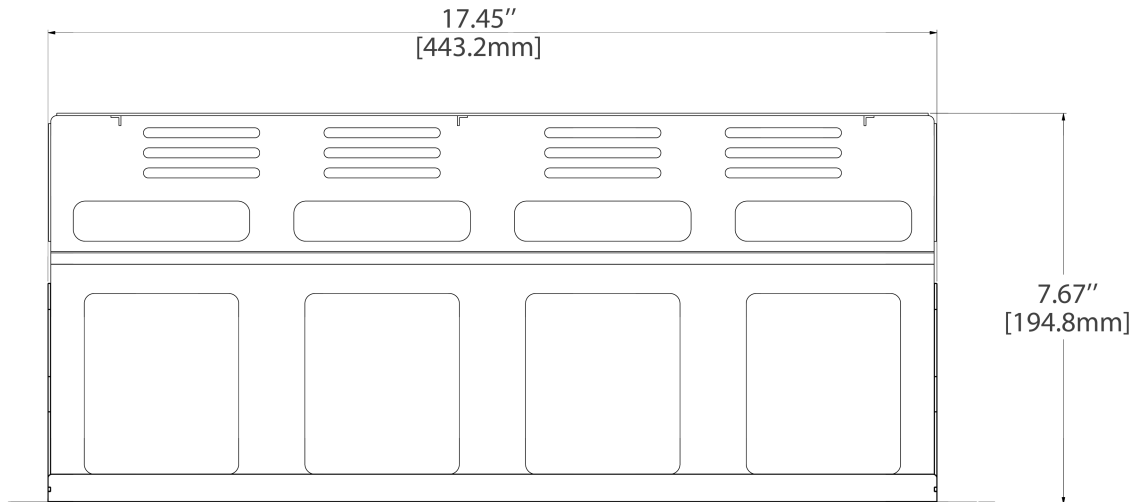
\*The US Conec MTP® connectors are fully compliant with the MPO standards.

## Product Specifications

### Front View



### Top View



Dimensions are in inches. (Dimensions in parentheses are in millimeters).



 <https://www.fs.com>



The information in this document is subject to change without notice. FS has made all efforts to ensure the accuracy of the information, but all information in this document does not constitute any kind of warranty.