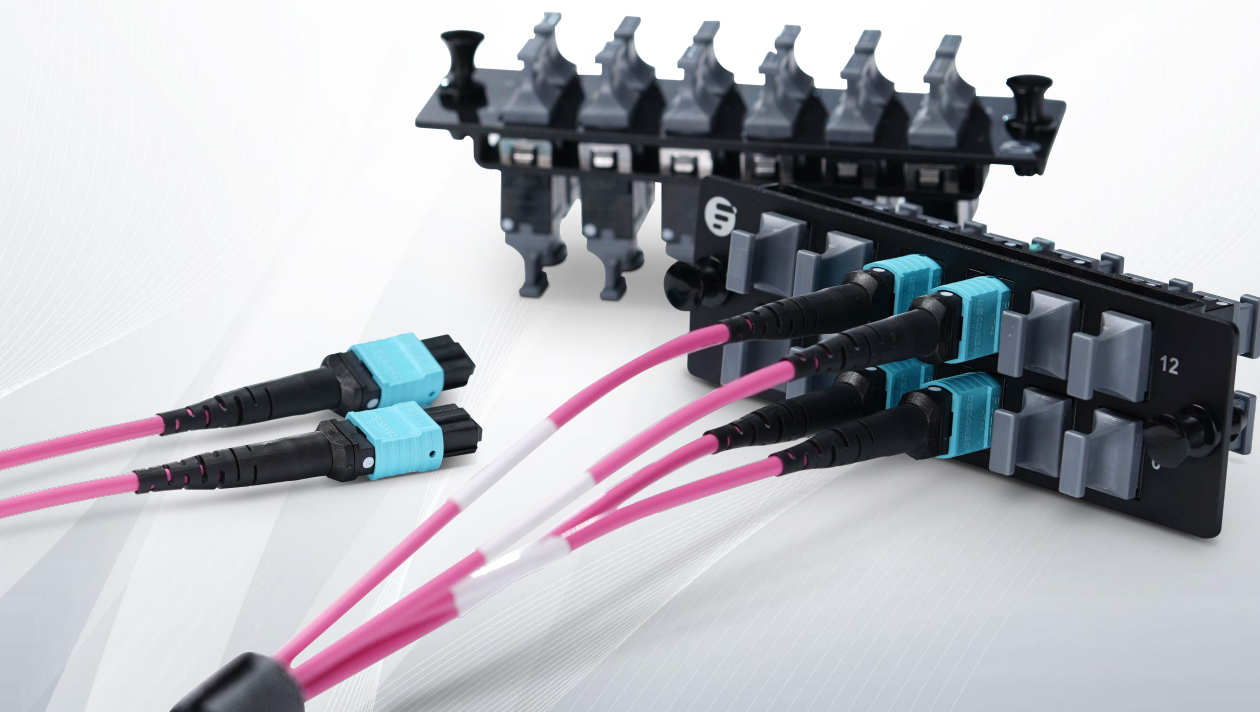
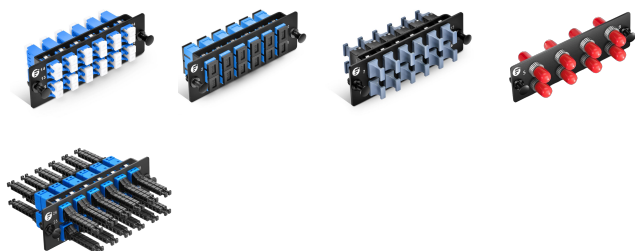


# FHD Fiber Adapter Panels



## Description

FHD series fiber adapter panels (FAPs) include LC, SC, MTP®, ST, MDC fiber optic adapters, multimedia adapter and blank panels are also available. FAPs include zirconia ceramic split sleeves to fit specific network requirements. All fiber adapter panels snap quickly into the patch panels and enclosures for easy network deployment or moves, adds, and changes.



## Features

- Provides a complete system solution for connectivity, such as LC, SC, MTP®, ST, MDC adapters.
- Assures flexibility and ease of network deployment and moves, adds, and changes.
- The clear numbering on the front provides a quick, easy way to identify cable runs.
- High performance connectors to achieve a low loss optical budget.
- Plug-in adapter design, more stable when the adapters are fixed.

## Application

FHD series fiber optic adapter panels (FAPs) are used with FHD Rack mount or Wall Mount Enclosures. Deploy medium to high-density fiber optic network applications as specified in the data center cabling standard for cross connects in main distribution, horizontal distribution, and equipment distribution areas.

## Product Specifications

### I. Product Constructions

<b>Adapter Type</b>	LC/SC/MTP®/ST/MDC/Blank
<b>Polish Type</b>	SMF: UPC-UPC; APC-APC MMF: UPC-UPC
<b>Material of Plate</b>	Steel, Powder-coated Black
<b>Dimensions (HxW)</b>	1.38"x4.29" (35x109mm)
<b>Insertion Loss</b>	Supports the performance of connectors/patch cords
<b>Return Loss</b>	Supports single mode (UPC and APC) and multimode (UPC) connector polish performance

### II. LC FAPs Information

<b>Adapter Type</b>	LC Duplex
<b>Number of Adapters</b>	12/18
<b>Fiber Count</b>	24 Fibers/36 Fibers
<b>Fiber Mode</b>	Multimode: OM4/OM3 50/125µm Single Mode: OS2 9/125µm
<b>Adapter Color</b>	Blue (OS2 UPC), Green (OS2 APC), Aqua (OM3/OM4)
<b>Split Sleeve</b>	Zirconia Ceramic

**III. SC FAPs Information**

<b>Adapter Type</b>	SC Duplex
<b>Number of Adapters</b>	6
<b>Fiber Count</b>	12 Fibers
<b>Fiber Mode</b>	Multimode: OM4/OM3 50/125µm Single Mode: OS2 9/125µm
<b>Adapter Color</b>	Blue (OS2 UPC), Green (OS2 APC), Aqua (OM3/OM4)
<b>Split Sleeve</b>	Zirconia Ceramic

**IV. ST FAPs Information**

<b>Adapter Type</b>	ST Simplex
<b>Number of Adapters</b>	6/8
<b>Fiber Count</b>	6 Fibers/8 Fibers
<b>Fiber Mode</b>	Multimode: OM4/OM3 50/125µm Single Mode: OS2 9/125µm
<b>Adapter Color</b>	Plated
<b>Split Sleeve</b>	Zirconia Ceramic

**V. MDC FAPs Information**

<b>Adapter Type</b>	MDC Duplex
<b>Number of Adapters</b>	12x MDC-2
<b>Fiber Count</b>	48 Fibers
<b>Fiber Mode</b>	Single Mode: OS2 9/125µm
<b>Adapter Color</b>	Blue (OS2 UPC)
<b>Split Sleeve</b>	Zirconia Ceramic

## V. MTP® FAPs Information

<b>Adapter Type</b>	MTP®
<b>Number of Adapters</b>	8/12
<b>Fiber Mode</b>	Multimode: OM4/OM3 50/125µm Single Mode: OS2 9/125µm
<b>Polarity</b>	Type A (Key Up-Key Down) Type B (Key Up-Key Up)
<b>Adapter Color</b>	Black (Key Up-Key Down) Charcoal Gray (Key Up-Key Up)

### Note:

The Type B (key up to key up) method does not support Single Mode with standards compliant connector endfaces.

## VI. Environmental Characteristics

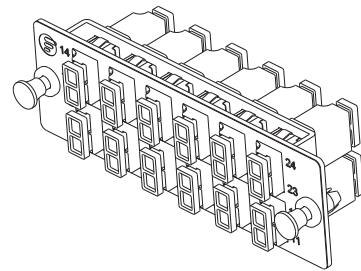
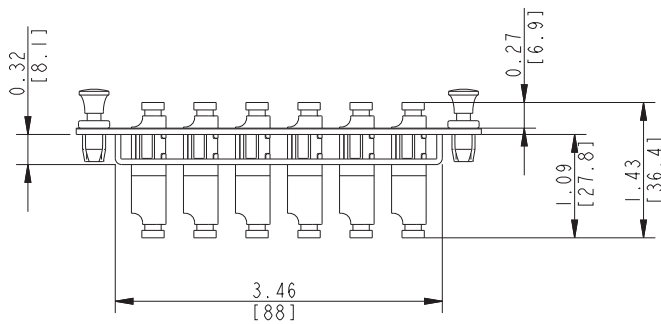
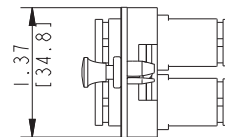
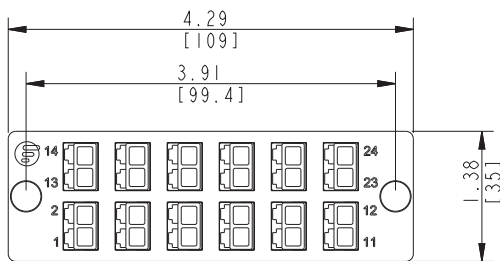
<b>Operating Temperature</b>	-25 °C to 50 °C
<b>Storage Temperature</b>	-40 °C to 65 °C
<b>Installation temperature</b>	0 °C to 50 °C

## Standards Compliance

- ISO9001 Certificate
- RoHS Compliant
- WEEE Compliant

## Layout and Dimensions

### • 24F LC/12F SC Adapter Panel

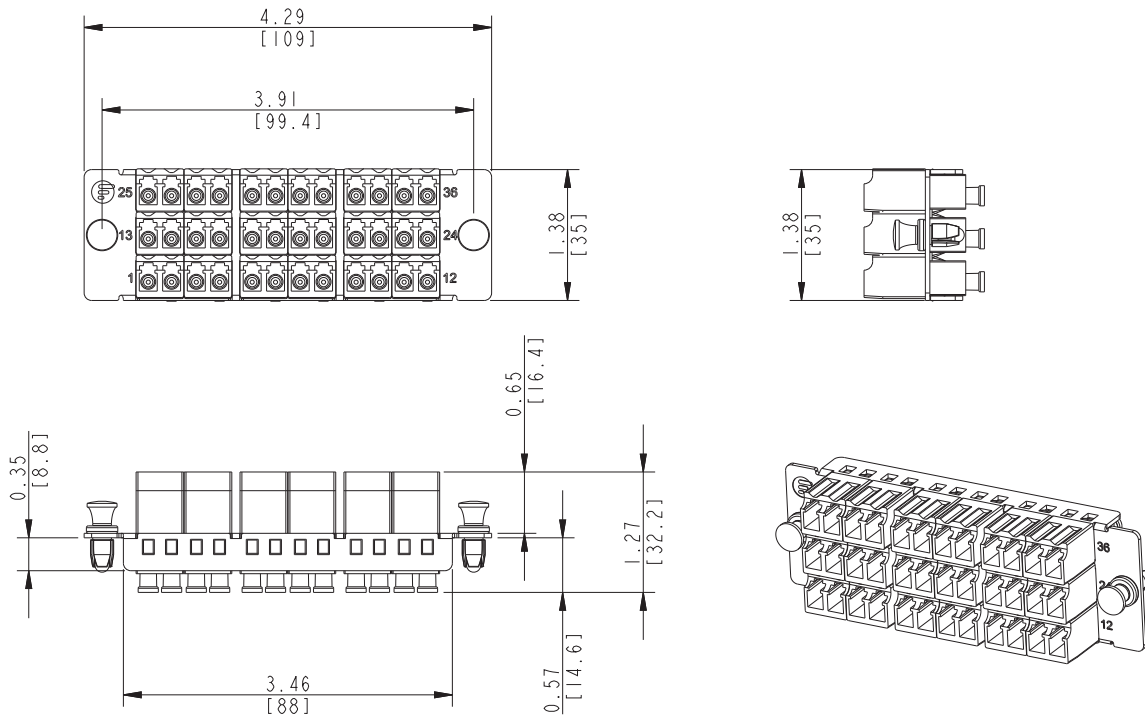


**Note:**

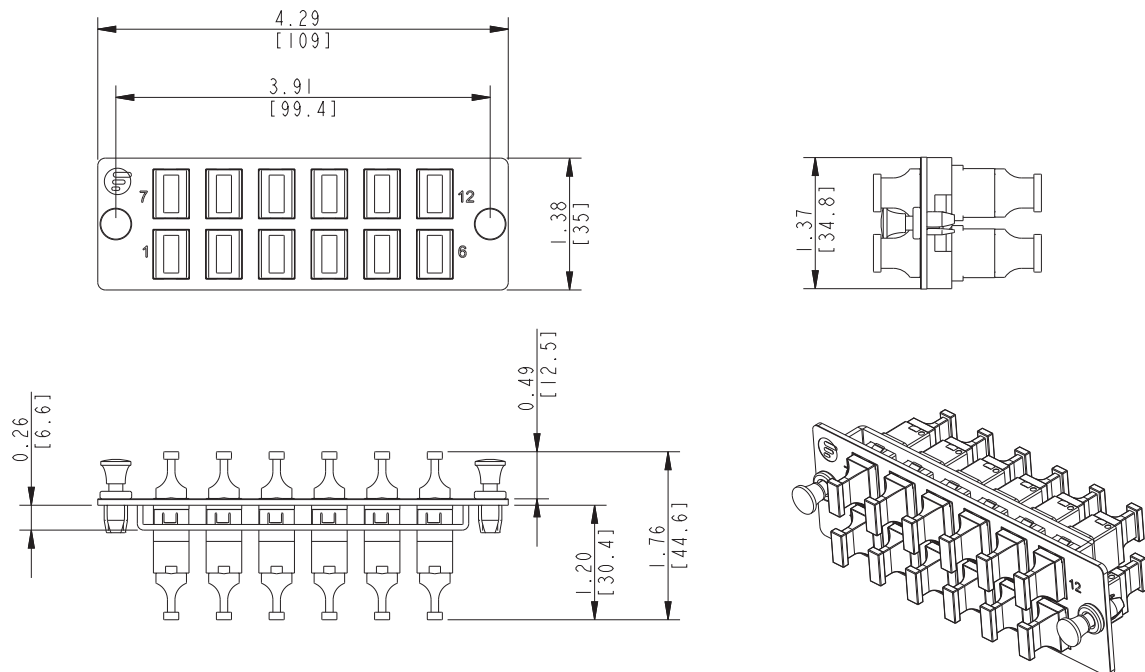
24F LC and 12F SC adapter panels are of the same dimensions.

Dimensions are in inches. (Dimensions in parentheses are in millimeters).

• 36F LC Adapter Panel



• MTP® Fiber Adapter Panel

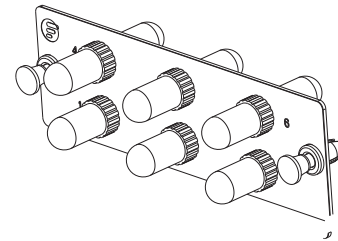
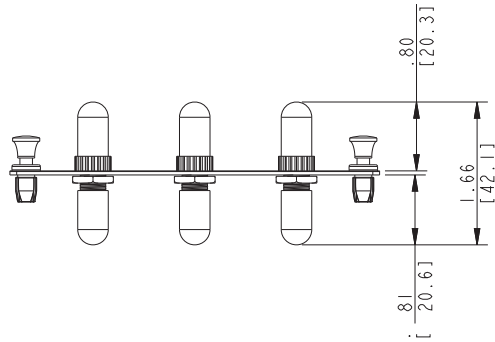
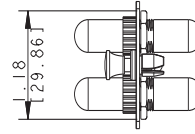
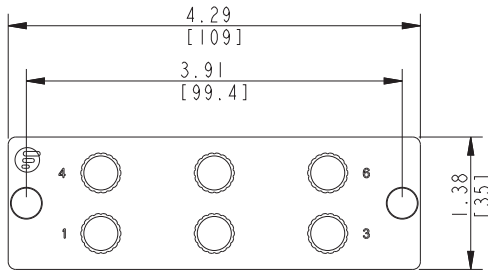


**Note:**

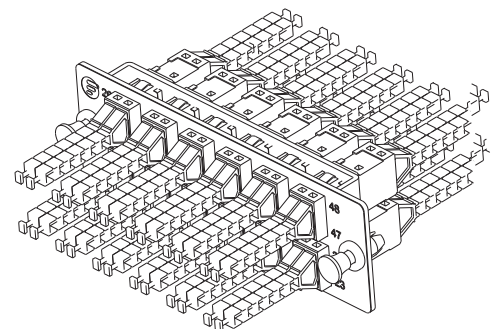
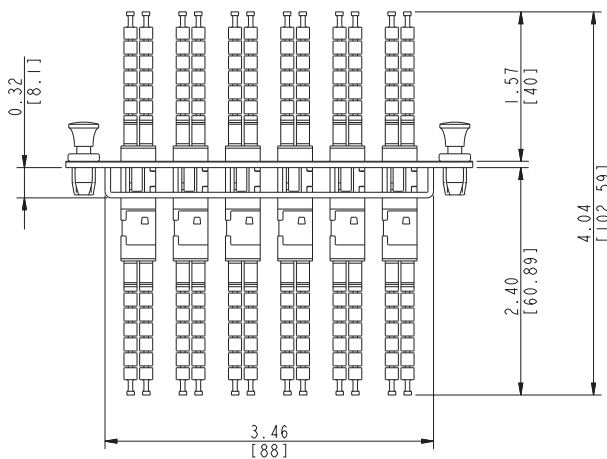
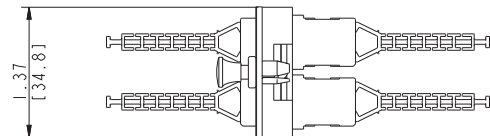
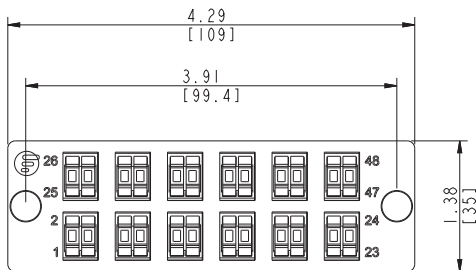
Type A and Type B MTP® adapter panels are of the same dimensions.

Dimensions are in inches. (Dimensions in parentheses are in millimeters).

• ST Fiber Adapter Panel

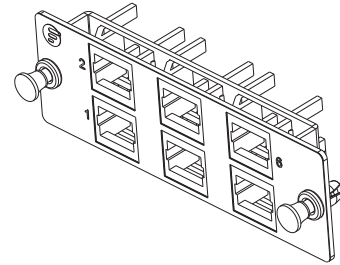
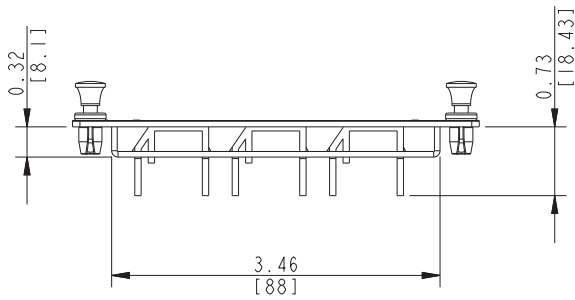
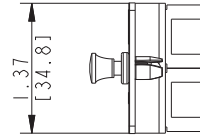
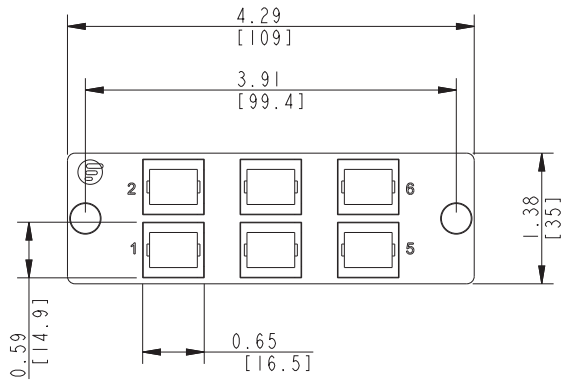


• 48F MDC Fiber Adapter Panel



Dimensions are in inches. (Dimensions in parentheses are in millimeters).

• Blank Multimedia Modular Panel



Dimensions are in inches. (Dimensions in parentheses are in millimeters).



## Ordering Information

### • LC Adapter Panels

Part Number	ID Number	Fiber Count	Fiber Mode	Polish Type	Adapter Color
FHD-FAP12LCDXSMF	#35488	24F	OS2	UPC	Blue
FHD-FAP12LCADZSMF	#25514	24F	OS2	APC	Green
FHD-FAP12LCDX10GMM	#41998	24F	OM3/OM4	UPC	Aqua
FHD-FAP18LCDXSMF	#133613	36F	OS2	UPC	Blue
FHD-FAP18LCDXMMF	#133614	36F	OM3/OM4	UPC	Aqua

### • SC Adapter Panels

Part Number	ID Number	Fiber Count	Fiber Mode	Polish Type	Adapter Color
FHD-FAP6SCDXSMF	#35484	12F	OS2	UPC	Blue
FHD-FAP6SCDZ10GMM	#51284	12F	OM3/OM4	UPC	Aqua
FHD-FAP6SCADXSMF	#41986	12F	OS2	APC	Green

### • MTP® Adapter Panels

Part Number	ID Number	Fiber Mode	Polarity	Key Orientation	Adapter Color
FHD-FAP12MTP®HA	#35510	OS2/OM3/OM4	Type A	Key Up-Key Down	Black
FHD-FAP8MTP®HB	#52022	OM3/OM4	Type B	Key Up-Key Up	Charcoal Gray

• **ST Adapter Panels**

Part Number	ID Number	Fiber Count	Fiber Mode	Polish Type	Adapter Color
FHD-FAP6STSXSMT	#151610	6F	OS2	APC/UPC	Plated
FHD-FAP8STSXSMT	#151611	8F	OS2	APC/UPC	Plated
FHD-FAP6STSXMMT	#151612	6F	OM3/OM4	UPC	Plated
FHD-FAP8STSXMMT	#151613	8F	OM3/OM4	UPC	Plated

• **MDC Adapter Panels**

Part Number	ID Number	Fiber Count	Fiber Mode	Polish Type	Adapter Color
FHD-FAP12MDC2PDSMT	#147015	48F	OS2	UPC	Blue

• **Blanking Adapter Panels**

Part Number	ID Number	Description
FHD-FMP6	#66602	6-Port Blank Multimedia Modular Panel
FHD-FAPB	#35526	FHD Blanking Fiber Adapter Panel

\* More products information please click >

## Matching Products

ID Number	Description
#96427	FHD 1U High Density Fiber Enclosure Unloaded
#70361	FHD 1U High Density Sliding Fiber Enclosure Unloaded
#73205	FHD 2U High Density Sliding Fiber Enclosure Unloaded
#73206	FHD 4U High Density Sliding Fiber Enclosure Unloaded
#70419	FHD 1U High Density Rack Mount Modular Enclosure Unloaded
#72910	FHD 1U Rack Mount Blank Enclosure with Detachable Cable Lacer Panel and Bar
#68294	1m (3ft) Grade B LC UPC to LC UPC Duplex OS2 Single Mode Fiber Patch Cable 2.0mm
#68299	1m (3ft) LC UPC to LC UPC Duplex OM4 Multimode Fiber Patch Cable 2.0mm
#40904	1m (3ft) LC APC to LC APC Duplex OS2 Single Mode Fiber Patch Cable 2.0mm
#40234	1m (3ft) SC UPC to SC UPC Duplex OS2 Single Mode Fiber Patch Cable 2.0mm
#72171	2m (7ft) LC UPC to LC UPC Uniboot Duplex OM4 Multimode Fiber Patch Cable 2.0mm
#68102	5m (16ft) MTP® Female to Female 12 Fibers OS2 Single Mode Trunk Cable, Type A
#68106	5m (16ft) MTP® Female to Female 12 Fibers OM4 Multimode Trunk Cable, Type A
#130963	1m (3ft) MDC UPC to MDC UPC Uniboot Duplex OS2 Single Mode Fiber Patch Cable 2.0mm

**Note:** 36F fiber cassttess are not recommended to fit in FHD series wall mount enclosure (#50550).



 <https://www.fs.com>



The information in this document is subject to change without notice. FS has made all efforts to ensure the accuracy of the information, but all information in this document does not constitute any kind of warranty.