

FHD MTP®-8 Cassettes

High-density
Pre-terminated Modular Cassette System



Description

FHD Fiber Optic MTP® Cassettes consist of pre-terminated LC adapters for quick and easy deployment in high density applications and provide efficient utilization of rack space and design flexibility. The cassettes interconnect with high-density fiber cable assemblies for quick connection of remote or data center applications.



Features

- Pre-terminated cassette for improved reliability and quick deployment.
- High performance connectors to achieve a low loss optical budget.
- Plug-N-play modules allow fast installation of multiple fiber links.
- Offered in a wide range of performance and polarity configurations.
- The corning fiber compliant to Telcordia, EIA/TIA and IEC standards.

Product Specifications

I. Product Constructions

Fiber Count	8 Fibers and 24 Fibers
Fiber Mode	Multimode: OM3/OM4 50/125µm Single mode: OS2 9/125µm
Front Connector	Multimode: LC Duplex with UPC Polish Single mode: LC Duplex with UPC Polish
Rear Connector	Multimode: MTP® Adapter(s) with Male Ferrules (pins) and UPC Polish Single mode: MTP® Adapter(s) with Male Ferrules (pins) and APC Polish
Material	Aluminium (AL5052)
Dimensions (HxWxD)	1.38"x4.29"x4.64" (35x109x118mm)

II. Performance Properties

Rear Connector	US Conec MTP®
Insertion Loss	Multimode: Ultra low IL 0.35dB max. Single mode: Ultra low IL 0.35dB max.
Return Loss	Multimode: ≥20dB Single mode: ≥60dB
Connector Durability	MTP® Connector Meets TIA/EIA-568.C.3A.4.9 Durability: 500 Mating Cycles

Note:

US Conec MTP® connector.

The US Conec MTP® connectors are fully compliant with the MPO standards, achieving higher performance levels when compared to generic MPO connectors.

III. Performance Properties

Front Connector	LC Duplex
Fiber Mode	Multimode/Single mode
Material of Sleeve	Zirconia Ceramic
Insertion Loss	Multimode: UPC \leq 0.2dB Single mode: UPC \leq 0.2dB
Return Loss	Multimode: UPC \geq 30dB Single mode: UPC \geq 50dB

IV. Environmental Characteristics

Operating Temperature	-10°C-60°C
Storage Temperature	-10°C-60°C

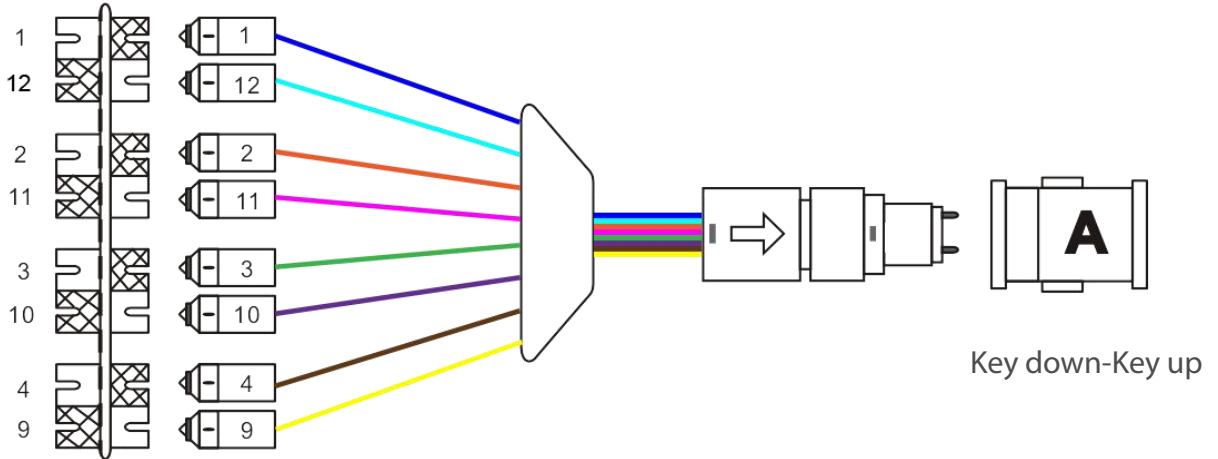
Standards Compliance

- ISO9001 Certificate
- RoHS Compliant
- REACH Compliant
- IEC61754-7
- TIA 605-4
- EIA/TIA and Telecordia GR-326-CORE standards

Polarity Illustration

In any installation, it is iMTP®tant to ensure that the transmitter at one end matches the corresponding receiver at the other end. FS provides a number of intelligent solutions that can help you manage and optimize your network and its connectivity.

I. MTP® -8 Cassette



Ordering Information

A	B	C	D	E	F	G
Fiber Count	Rear Connector	Fiber Mode	Front Connector	Polish Type	Insertion Loss(dB)	Front Color
8F	MTP®-8	OS2	LC Duplex	UPC	Elite 0.35	Blue
24F		OM4				Aqua

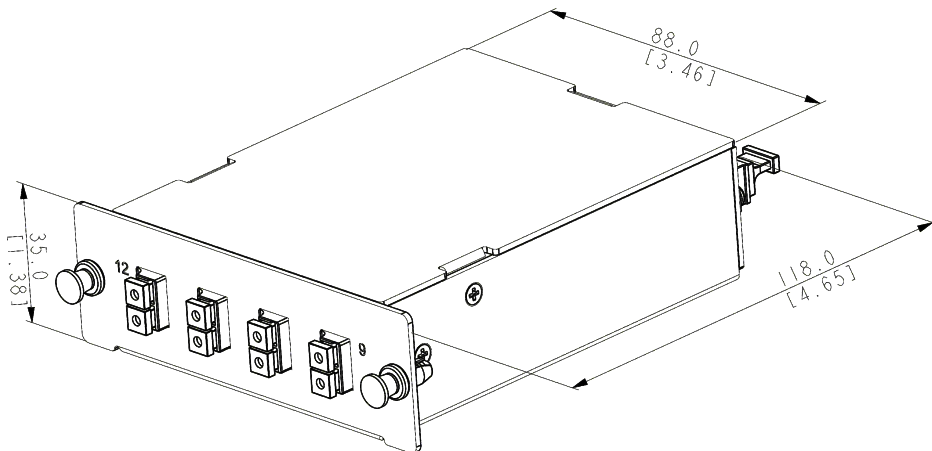
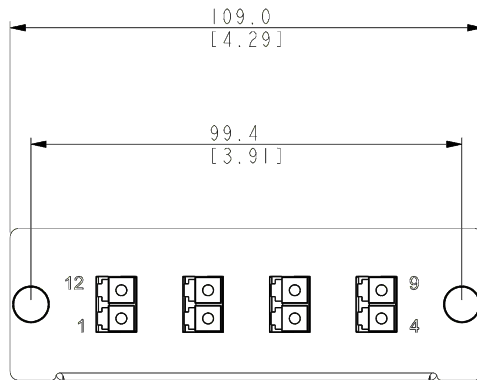
Note:

MTP® Connector (Single mode): APC Polish as default

MTP® Connector (Multimode): UPC Polish as default

Layout and Dimensions

MTP®-8 to 4x LC Duplex, 8 Fibers Cassette



Dimensions are in inches. (Dimensions in parentheses are in millimeters).

Products List

I.FHD MTP®-8 Cassette List

ID Number	Description
#68401	MTP®-8 to 4x LC Duplex (Blue), 8 Fibers OS2 Single Mode FHD MTP® Cassette, Universal Polarity
#68402	MTP®-8 to 4x LC Duplex (Aqua), 8 Fibers OM4 Multimode FHD MTP® Cassette, Universal Polarity
#143164	3x MTP®-8 to 6x LC Quad (Blue), 24 Fibers OS2 Single Mode FHD MTP® Cassette, Universal Polarity
#68399	3x MTP®-8 to 6x LC Quad (Aqua), 24 Fibers OM4 Multimode FHD MTP® Cassette, Universal Polarity

II.Matching Product

Description	ID Number	Part Number	Capacity	Max. Fiber Count (LC)
FHD 1U Sliding Rack Mount Enclosure	#70361	FHD-1UFCE	4 Ports	144F
FHD 2U Sliding Rack Mount Enclosure	#73205	FHD-2UFCE	8 Ports	288F
FHD 4U Sliding Rack Mount Enclosure	#73206	FHD-4UFCE	12 Ports	432F
FHD 1U Fixed Rack Mount Enclosure	#96427	FHD-1UFMT-N	4 Ports	144F
FHD 1U Modular Rack Mount Enclosure	#70419	FHD-1U-CMP400	4 Ports	144F
FHD 1U Blank Rack Mount Enclosure	#72910	FHD-FPP5DRL	4 Ports	144F
FHD Wall Mount Enclosure	#50550	FHD-FWME2	2 Ports	72F



 <https://www.fs.com>



The information in this document is subject to change without notice. FS has made all efforts to ensure the accuracy of the information, but all information in this document does not constitute any kind of warranty.