

# 10GBASE-BX SFP+

## 1330nmTX/1270nmRX 80km

### DOM Transceiver

SFP-10G-BX80



## Application

- 10GBASE-LR/LW Ethernet
- SONET OC-192 / SDH
- 10G Fiber Channel

## Features

- Supports 9.95Gb/s to 11.3Gb/s bit rates
- Hot-pluggable SFP+ footprint
- Single LC for Bi-directional Transmission
- Maximum link length of 80km
- Built-in 1270/1330 WDM Filter
- Uncooled 1270nm or 1330nm CWDM DFB Laser
- Power dissipation <1.5W
- No Reference Clock required
- Built-in digital diagnostic functions, including optical power monitoring
- Temperature range 0° C to 70° C
- Very low EMI and excellent ESD protection
- RoHS Compliant Part

## Description

FS.COM BD-10G-23/32 Bi-directional 10Gb/s (SFP+) transceivers are compliant with the current SFP+ Multi-Source Agreement (MSA) Specification. They comply with 10GBASE-LR/LW Ethernet, SONET OC-192 / SDH and 10G Fibre Channel 1200-SM-LL-L. Digital diagnostics functions are available via a 2-wire serial interface, as specified in the SFP+ MSA.

## Product Specifications

### I. General Specifications

Parameter	Symbol	Min	Typ.	Max	Unit
<b>Bit Rate</b>	BR		10.3125	11.3168	Gb/s
<b>Max. Supported Link Length</b>	$L_{max}$			80	km

### II. Absolute Maximum Ratings

Parameter	Symbol	Min	Max	Unit
<b>Storage Temperature</b>	$T_s$	-40	+85	° C
<b>Supply Voltage</b>	V <sub>CC</sub>	-0.5	3.6	V
<b>Relative Humidity</b>	RH	0	85	%

### III. Recommended Operating Environment

Parameter	Symbol	Min	Typ.	Max	Unit
<b>Case operating Temperature</b>	$T_c$	-5		+70	°C
<b>Supply Voltage</b>	V <sub>CCT,R</sub>	+3.135		+3.465	V
<b>Supply Current</b>	I <sub>CC</sub>			450	mA
<b>Power Dissipation</b>	P <sub>D</sub>			1.5	W

#### IV. Electrical Characteristics ( TOP = 0 to 70°C, VCC = 3.135 to 3.465 Volts )

Parameter	Symbol	Min	Typ.	Max	Unit	Ref.
<b>Transmitter</b>						
<b>Differential input voltage swing</b>		180		700	mVpp	1
<b>Input Impedance (Differential)</b>	Z <sub>in</sub>	80	100	120	Ω	
<b>Tx_DISABLE Input Voltage – High</b>	V <sub>IH</sub>	2		V <sub>CC</sub> +0.3	V	
<b>Tx_DISABLE Input Voltage – Low</b>	V <sub>IL</sub>	0		0.8	V	
<b>Tx_FAULT Output Voltage – High</b>	V <sub>OH</sub>	2.4		V <sub>CC</sub> +0.3	V	
<b>Tx_FAULT Output Voltage – Low</b>	V <sub>OL</sub>	0		0.4	C	2
<b>Receiver</b>						
<b>Differential output voltage swing</b>		300		850	mVpp	3
<b>Output Impedance (Differential)</b>	Z <sub>on</sub>	80		120	Ω	
<b>Rx_LOS Output Voltage – High</b>	V <sub>OH</sub>	2.4		V <sub>CC</sub> +0.3	V	2
<b>Rx_LOS Output Voltage – Low</b>	V <sub>OL</sub>	0	100	0.4	v	

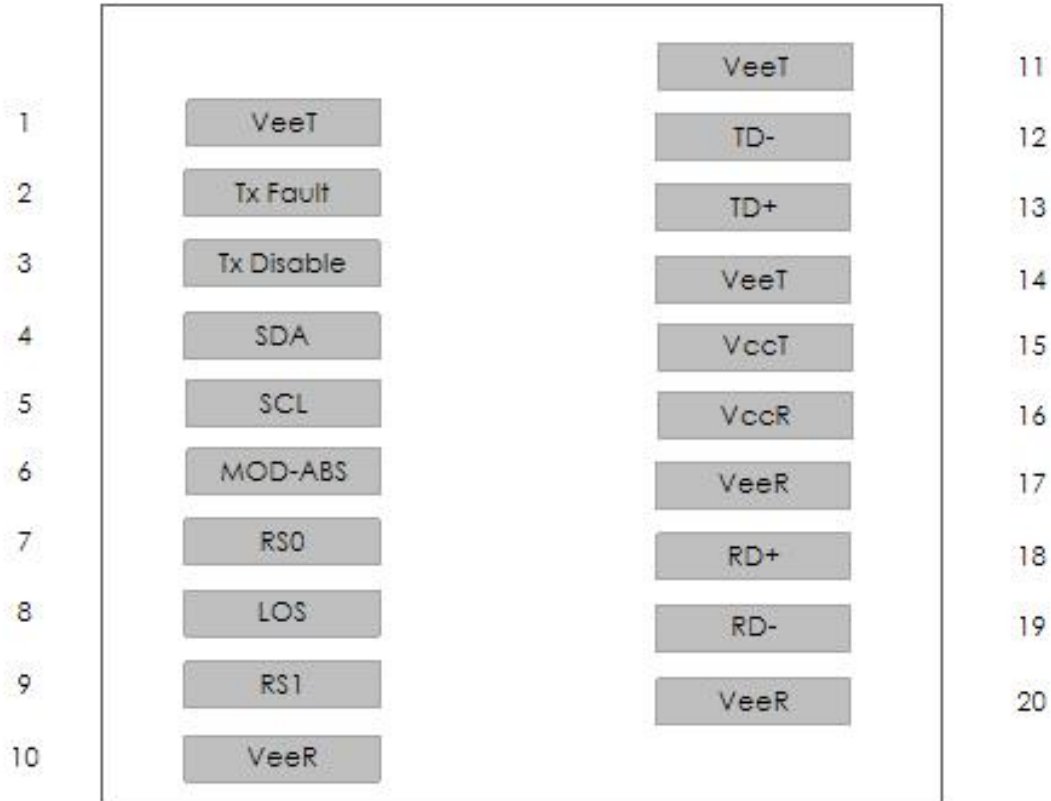
#### Notes:

1. TD+/- are internally AC coupled with 100Ω differential termination inside the module.
2. Tx Fault and Rx LOS are open collector outputs, which should be pulled up with 4.7k to 10kΩ resistors on the host board. Pull up voltage between 2.0V and V<sub>CC</sub>+0.3V.
3. RD+/- outputs are internally AC coupled, and should be terminated with 100Ω (differential) at the user SERDES.

## V. Optical Characteristics ( TOP = 0 to 70°C, VCC = 3.135 to 3.465 Volts )

Parameter	Symbol	Min	Typ.	Max	Unit	
<b>Transmitter (Tx)</b>						
<b>Bit Rate</b>	BR	9.9		11.3	Gb/s	
<b>Centre Wavelength</b>	<b>FT5960D-2733</b>	$\lambda_c$	1260	1270	1280	nm
	<b>FT5960D-3327</b>		1320	1330	1340	
<b>Spectral Width (-20Db)</b>	$\Delta\lambda$			1	nm	
<b>Side Mode Suppression Ratio</b>	SMSR	30			dB	
<b>Average Output Power*note1</b>	$P_{out, AVG}$	1		5	dBm	
<b>Extinction Ratio</b>	ER	3.5			dB	
<b>Optical Eye Mask</b>	Compliant with IEEE802.3ae					
<b>Receiver (Rx)</b>						
<b>Bit Rate</b>	BR	9.9		11.3	Gb/s	
<b>Centre Wavelength</b>	<b>FT5960D-2733</b>	$\lambda_c$	1320	1330	1340	nm
	<b>FT5960D-3327</b>		1260	1270	1280	
<b>Receiver Sensitivity</b>	Sen			-23	dBm	
<b>Maximum Input Power</b>	$P_{MAX}$	-7			dBm	
<b>LOS De-Assert</b>	$LOS_D$			-24	dBm	
<b>LOS Assert</b>	$LOS_A$	-40			dBm	
<b>LOS Hysteresis</b>	$LOS_H$	0.5		4	dB	

## VI. Pin Description



Pin Num.	Name	Function	Notes
1	VeeT	Module transmitter ground	1
2	TX Fault	Module transmitter fault	2
3	TX Disable	Transmitter Disable; Turns off transmitter laser output	3
4	SDA	2 wire serial interface data input/output (SDA)	
5	SCL	2 wire serial interface clock input (SCL)	

6	MOD_ABS	Module Absent, connect to VeeR or VeeT in the module	2
7	RS0	Rate select0, optionally control SFP+ receiver. When high, input data rate >4.5Gb/s; when low, input data rate <=4.5Gb/s	4
8	LOS	Receiver Loss of Signal Indication	4
9	RS1	Rate select0, optionally control SFP+ transmitter. When high, input data rate >4.5Gb/s; when low, input data rate <=4.5Gb/s	
10	VeeR	Module receiver ground	1
11	VeeR	Module receiver ground	1
12	RD-	Receiver inverted data out put	
13	RD+	Receiver non-inverted data out put	
14	VeeR	Module receiver ground	1
15	VeeR	Module receiver 3.3V supply	
16	VccT	Module transmitter 3.3V supply	1
17	VeeT	Module transmitter ground	1
18	TD+	Transmitter inverted data out put	
19	TD-	Transmitter non-inverted data out put	1
20	VeeT	Module transmitter ground	1

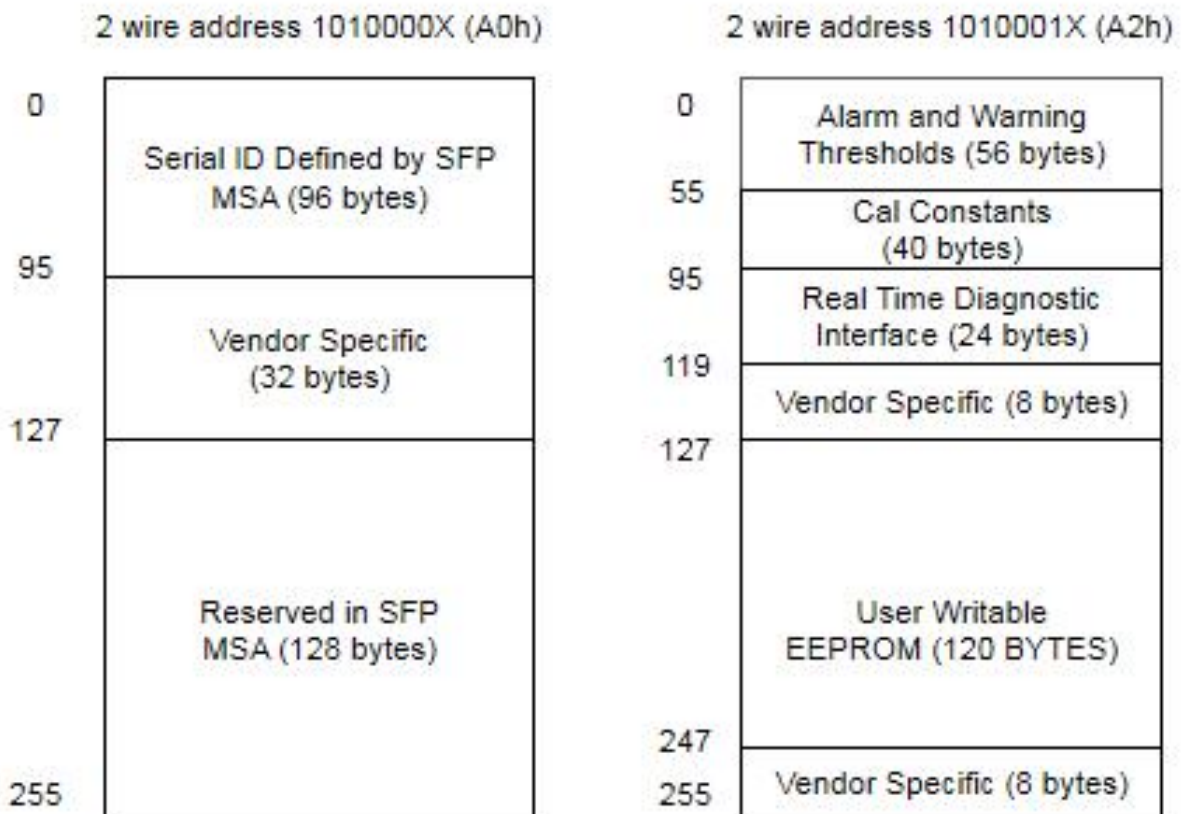
**Notes:**

1. The module ground pins shall be isolated from the module case.
2. This pin is an open collector/drain output pin and shall be pulled up with 4.7K-10Kohms to Host\_Vcc on the host board.
3. This pin shall be pulled up with 4.7K-10Kohms to VccT in the module.
4. This pin is an open collector/drain output pin and shall be pulled up with 4.7K-10Kohms to Host\_Vcc on the host board.

## VII. SFP Module EEPROM Information and Management

The SFP modules implement the 2-wire serial communication protocol as defined in the SFF-8472. The serial ID information of the SFP modules and Digital Diagnostic Monitor parameters can be accessed through the I<sup>2</sup>C interface at address A0h and A2h. The memory is mapped in Table 1. Detailed ID information (A0h) is listed in Table 2. And the DDM specification at address A2h. For more details of the memory map and byte definitions, please refer to the SFF-8472, “Digital Diagnostic Monitoring Interface for Optical Transceivers” . The DDM parameters have been internally calibrated.

**Table 1. Digital Diagnostic Memory Map (Specific Data Field Descriptions)**



**Table 2 - EEPROM Serial ID Memory Contents (A0h)**

Data Address	Length (Byte)	Name of length	Description and Contents
<b>Base ID Fields</b>			
0	1	Identifier	Type of Serial transceiver (03h=SFP)
1	1	Reserved	Extended identifier of type serial transceiver (04h)
2	1	Connector	Code of optical connector type (07=LC)
3-10	8	Transceiver	10G Base-LR
11	1	Encoding	64B/66B
12	1	BR, Nominal	Nominal baud rate, unit of 100Mbps
13-14	2	Reserved	(0000h)
15	1	Length(9um)	Link length supported for 9/125um fiber, units of 100m
16	1	Length(50um)	Link length supported for 50/125um fiber, units of 10m
17	1	Length(62.5um)	Link length supported for 62.5/125um fiber, units of 10m
18	1	Length(Copper)	Link length supported for copper, units of meters
19	1	Reserved	
20-35	16	Vendor Name	SFP vendor name: FS.COM
36	1	Reserved	
37-39	3	Vendor OUI	SFP transceiver vendor OUI ID
40-55	16	Vendor PN	Part Number: "BD-10G-23" or "BD-10G-32" (ASCII)
56-59	4	Vendor rev	Revision level for part number
60-62	3	Reserved	
63	1	CCID	Least significant byte of sum of data in address 0-62



### Extended ID Fields

64-65	2	Option	Indicates which optical SFP signals are implemented (001Ah = LOS, TX_FAULT, TX_DISABLE all supported)
66	1	BR, max	Upper bit rate margin, units of %
67	1	BR, min	Lower bit rate margin, units of %
68-83	16	Vendor SN	Serial number (ASCII)
84-91	8	Date code	FS.COM Manufacturing date code
92-94	3	Reserved	
95	1	CCEX	Check code for the extended ID Fields (addresses 64 to 94)

### Vendor Specific ID Fields

96-127	32	Readable	FS.COM specific date, read only
128-255	128	Reserved	Reserved for SFF-8079

## VIII. Digital Diagnostic Monitor Characteristics

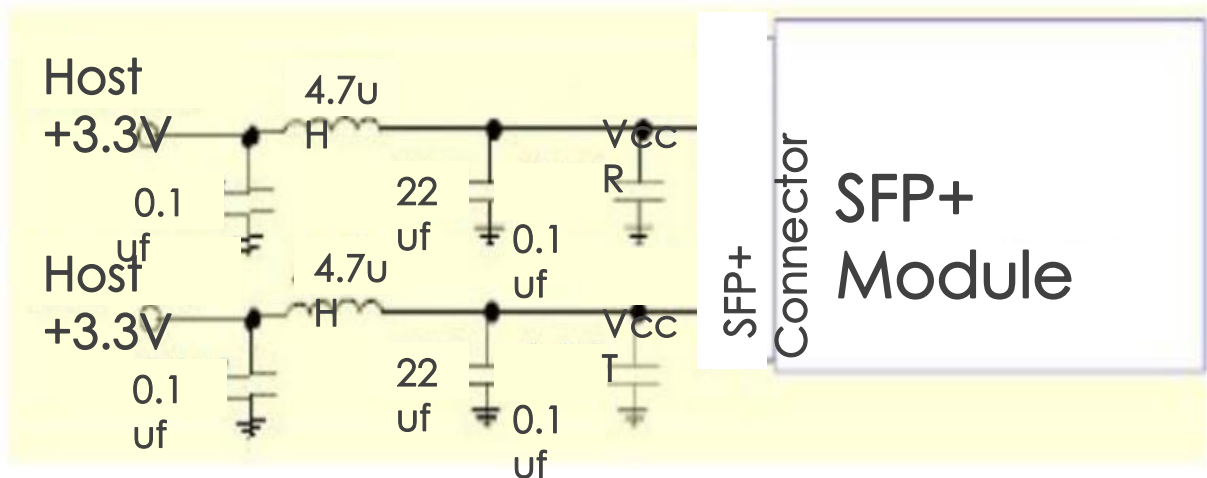
Data Address	Parameter	Accuracy	Unit
96-97	Transceiver Internal Temperature	$\pm 3.0$	$^{\circ}\text{C}$
98-99	VCC3 Internal Supply Voltage	$\pm 3.0$	%
100-101	Laser Bias Current	$\pm 10$	%
102-103	Tx Output Power	$\pm 3.0$	dBm
104-105	Rx Input Power	$\pm 3.0$	dBm

## IX. Regulatory Compliance

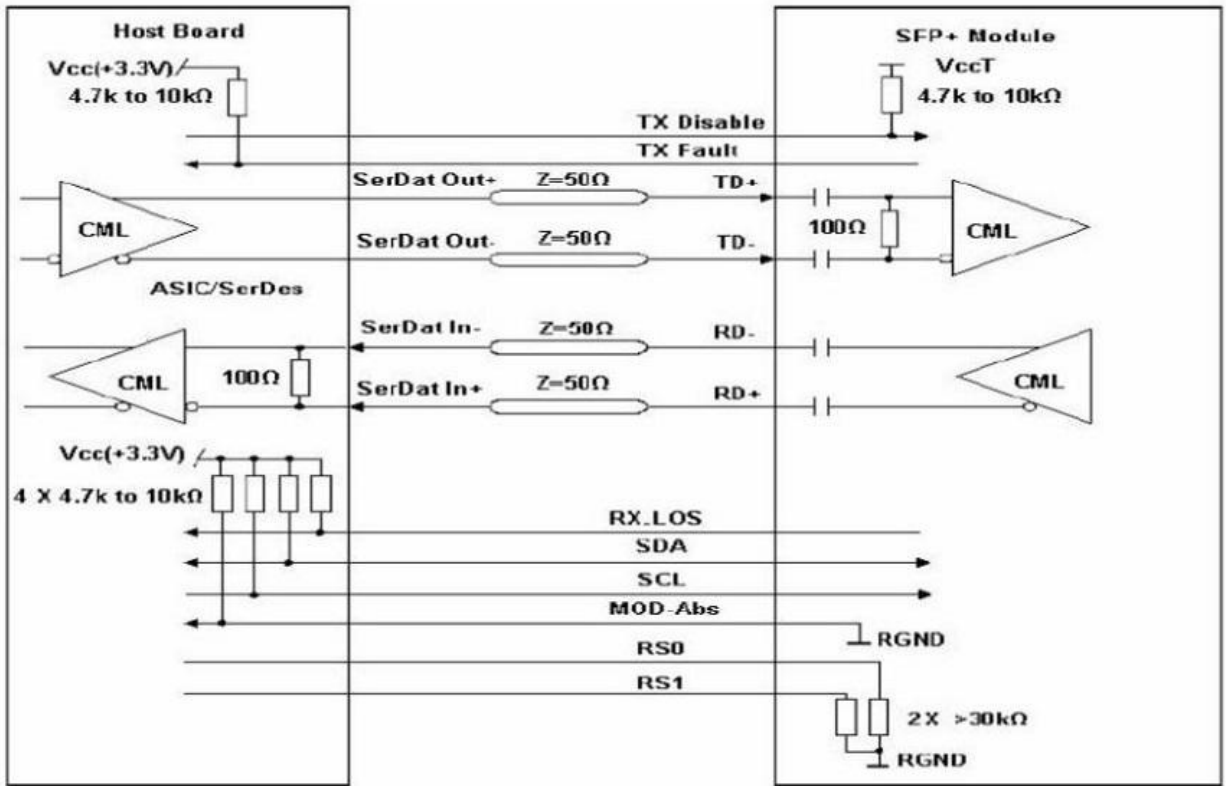
The SFP-10G-BX80 complies with international Electromagnetic Compatibility (EMC) and international safety requirements and standards (see details in Table following).

Electrostatic Discharge (ESD) to the Electrical Pins	MIL-STD-883E Method 3015.7	Class 1(>1000 V)
Electrostatic Discharge (ESD) to the Single LC Receptacle	IEC 61000-4-2 GR-1089-CORE	Compatible with standards
Electromagnetic Interference (EMI)	FCC Part 15 Class B EN55022 Class B (CISPR 22B) VCCI Class B	Compatible with standards
Laser Eye Safety	FDA 21CFR 1040.10 and 1040.11 EN60950, EN (IEC) 60825-1,2	Compatible with Class 1 laser product.

## X. Recommend Circuit Schematic

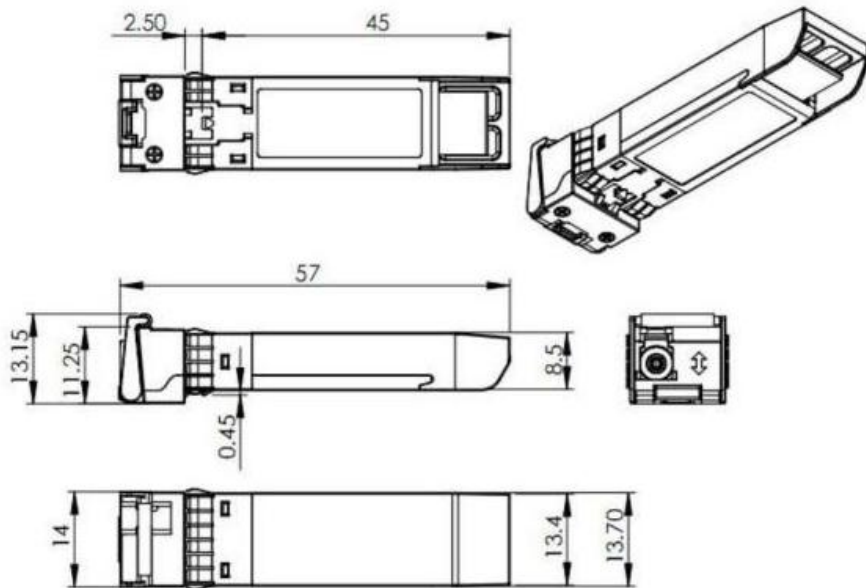


**Recommended Host Board Power Supply Circuit**



**Recommended High-speed Interface Circuit**

**XI. Mechanical Specifications**



## Test Center

FS.COM transceivers are tested to ensure connectivity and compatibility in our test center before shipped out. FS.COM test center is supported by a variety of mainstream original brand switches and groups of professional staff, helping our customers make the most efficient use of our products in their systems, network designs and deployments.

The original switches could be found nowhere but at FS.COM test center, eg: Juniper MX960 & EX 4300 series, Cisco Nexus 9396PX & Cisco ASR 9000 Series, HP 5900 Series & HP 5406R ZL2 V3(J9996A), Arista 7050S-64, Brocade ICX7750-26Q & ICX6610-48, Avaya VSP 7000 MDA 2, etc.



Cisco ASR 9000 Series(A9K-MPA-1X40GE)



ARISTA 7050S-64(DCS-7050S-64)



Juniper MX960



Brocade ICX 7750-26Q



Extreme Networks X670V VIM-40G4X



Mellanox M3601Q



Dell N4032F



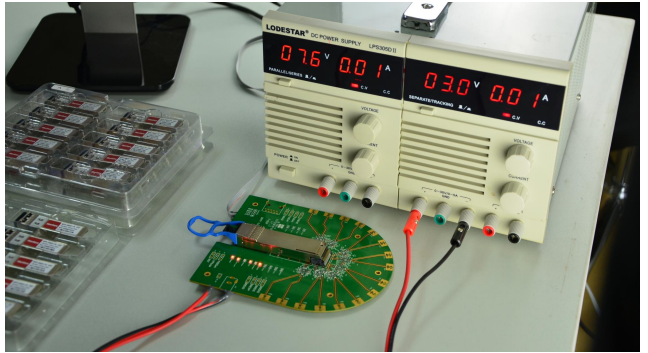
HP 5406R ZL2 V3(J9996A)



AVAYA 7024XLS(7002QQ-MDA)

## Test Assured Program

FS.COM truly understands the value of compatibility and interoperability to each optics. Every module FS.COM provides must run through programming and an extensive series of platform diagnostic tests to prove its performance and compatibility. In our test center, we care of every detail from staff to facilities—professionally trained staff, advanced test facilities and comprehensive original-brand switches, to ensure our customers to receive the optics with superior quality.



Our smart data system allows effective product management and quality control according to the unique serial number, properly tracking the order, shipment and every part.

Our in-house coding facility programs all of our parts to standard OEM specs for compatibility on all major vendors and systems such as Cisco, Juniper, Brocade, HP, Dell, Arista and so on.



With a comprehensive line of original-brand switches, we can recreate an environment and test each optics in practical application to ensure quality and distance.

The last test assured step to ensure our products to be shipped with perfect package.

## Order Information

Part Number	Description
SFP-10G-BX	SFP+, BIDI, 10GBase, 1270TX/1330nmRX, SMF, 10km, LC, DOM
SFP-10G-BX	SFP+, BIDI, 10GBase, 1330TX/1270nmRX, SMF, 10km, LC, DOM
SFP-10G-BX	SFP+, BIDI, 10GBase, 1270TX/1330nmRX, SMF, 20km, LC, DOM
SFP-10G-BX	SFP+, BIDI, 10GBase, 1330TX/1270nmRX, SMF, 20km, LC, DOM
SFP-10G-BX40	SFP+, BIDI, 10GBase, 1270TX/1330nmRX, SMF, 40km, LC, DOM
SFP-10G-BX40	SFP+, BIDI, 10GBase, 1330TX/1270nmRX, SMF, 40km, LC, DOM
SFP-10G-BX60	SFP+, BIDI, 10GBase, 1270TX/1330nmRX, SMF, 60km, LC, DOM
SFP-10G-BX60	SFP+, BIDI, 10GBase, 1330TX/1270nmRX, SMF, 60km, LC, DOM
SFP-10G-BX80	SFP+, BIDI, 10GBase, 1270TX/1330nmRX, SMF, 80km, LC, DOM
SFP-10G-BX80	SFP+, BIDI, 10GBase, 1330TX/1270nmRX, SMF, 80km, LC, DOM

### Note:

1. 10G SFP+ transceiver module is individually tested on corresponding equipment such as Cisco, Arista, Juniper, Dell, Brocade and other brands, and passes the monitoring of FS.COM intelligent quality control system.



 <https://www.fs.com>



The information in this document is subject to change without notice. FS has made all efforts to ensure the accuracy of the information, but all information in this document does not constitute any kind of warranty.