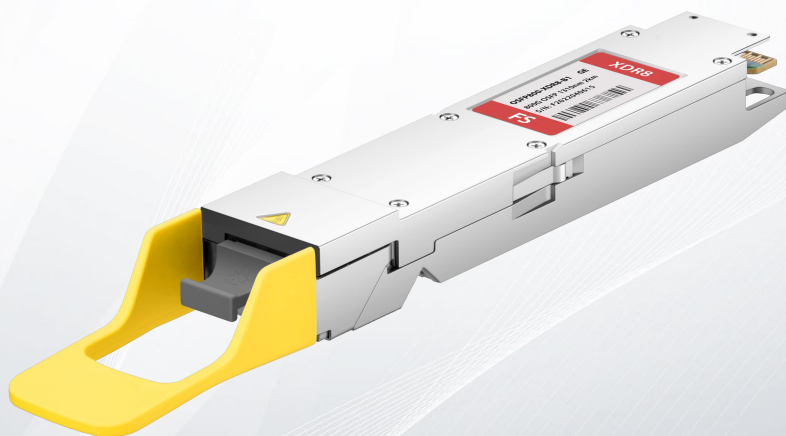


800GBASE-XDR8 OSFP 1310nm 2km MTP/MPO-16 Transceiver

OSFP800-XDR8-B1



Application

- 800G Ethernet
- Data Center

Features

- Compliant with IEEE 802.3cu-2021: 8x100GBASE-FR1 Optical Interface
- Compliant with IEEE P802.3ck D3.0: 8x100GAUI-1 C2M Electrical Interface
- Compliant with OSFP MSA HW Rev 4.1 Type 2 Housing with MPO-16 Connector
- Compliant with CMIS Rev 5.0
- Case Operating Temperature: 0°C to 70°C
- Two Wire Serial Interface with Digital Diagnostic Monitoring
- Complies with EU Directive 2011/65/EU
- Class 1 Laser

Product Description

The 800GBASE-XDR8 OSFP Optical Transceiver Module is designed for 800GBASE Ethernet throughput up to 2km over singlemode fiber (SMF) with MPO-16 connectors. This transceiver is compliant with IEEE802.3ck, IEEE 802.3cu, OSFP MSA. The built-in digital diagnostics monitoring (DDM) allows access to real-time operating parameters. It is suitable for 800G Ethernet, Data Center, Breakout 2x 400G XDR4 or 8x 100G FR Application.

Product Specifications

I. Absolute Maximum Ratings

Parameter	Symbol	Min.	Max.	Unit
Storage Temperature	T_S	-40	85	°C
Supply Voltage	V_{CC}	-0.5	3.6	V
Relative Humidity (non-condensing)	RH	5	95	%
Data Input Voltage Differential	$ V_{DIP} - V_{DIN} $		1	V
Control Input Voltage	V_I	-0.3	$V_{CC} + 0.5$	V
Control Output Current	I_O	-20	20	mA

II. Recommended Operating Environment

Parameter	Symbol	Min.	Typical	Max.	Unit	Notes
Operating Case Temperature	T_{OPR}	0		70	°C	1
Power Supply Voltage	V_{CC}	3.135	3.3	3.465	V	
Instantaneous Peak Current at Hot Plug	I_{CC_IP}			TBD	mA	
Sustained Peak Current at Hot Plug	I_{CC_SP}			TBD	mA	
Maximum Power Dissipation	P_D			TBD	W	
Maximum Power Dissipation, Low Power Mode	P_{DLP}			2	W	
Signalling Speed per Lane	DRL		53.125		GBd	
Control Input Voltage High	V_{IH}	$V_{CC} * 0.7$		$V_{CC} + 0.3$	V	

Parameter	Symbol	Min.	Typical	Max.	Unit	Notes
Control Input Voltage Low	V_{IL}	-0.3		$V_{CC} * 0.3$	V	
Two Wire Serial Interface Clock Rate				400	kHz	
Power Supply Noise 1 kHz -1 MHz (p-p)				66	mVpp	
Operating Distance		2		2000	m	

III. Optical Characteristics

Parameter	Symbol	Min.	Typical	Max.	Unit	Notes
Transmitter						
Wavelength	λ_c	1304.5	1311	1317.5	nm	
Side Mode Suppression Ratio	SMSR	30			dB	
Average Launch Power, each Lane	AOP_L	-3.1		4.0	dBm	1
Outer Optical Modulation Amplitude (OMA_{outer}), each Lane for TDECQ<1.4dB for 1.4dB<= TDECQ<=3.4dB	OMA _{outer}	-0.1 -1.5+	TDECQ	4.2	dBm	
Transmitter and Dispersion Eye Closure for PAM4 (TDECQ), each Lane	TDECQ			3.4	dB	
Transmitter Eye Closure for PAM4 (TECQ), each Lane	TECQ			3.4	dB	
 TDECQ-TECQ 				2.5	dB	
Over/Under-shoot				22	%	
Transmitter Power Excursion				2	dBm	
Average Launch Power of OFF Transmitter, each Lane	T_{OFF}			-15	dBm	
Extinction Ratio	ER	3.5			dB	
Transmitter Transition Tme	Tr			17	ps	

Parameter	Symbol	Min.	Typical	Max.	Unit	Notes
RIN_{17.1OMA}	RIN			-136	dB/Hz	
Optical Return Loss Tolerance	ORL			17.1	dB	
Transmitter Reflectance	T _R			-26	dB	2
Receiver						
Wavelength	λ _{CO}	1304.5	1311	1317.5	nm	
Damage Threshold, each Lane	AOP _D	5			dBm	
Average Receive Power, each Lane	AOP _R	-7.1		4	dBm	
Receive Power (OMA_{outer}),each Lane	OMA _R			4.2	dBm	
Receiver Reflectance	RR			-26	dB	
Receiver Sensitivity (OMA_{outer})for TECQ<1.4 dB for 1.4dB<=TECQ<=3.4dB	SOMA			-4.5-5.9+TECQ	dBm	3
Stressed Receiver Sensitivity (OMA_{outer}), each Lane	SRS			-2.5	dBm	4
Conditions of Stressed Receiver Sensitivity Test						
Stressed Eye Closure for PAM4 (SECQ), Lane Under Test	SECQ		3.4		dB	

Notes:

1. Average launch power, each lane (min) is informative and not the principal indicator of signal strength
2. Transmitter reflectance is defined looking into the transmitter.
3. Receiver sensitivity (OMA_{outer}), each lane (max) is informative and is defined for a transmitter with a value of SECQ up to 3.4 dB.
4. Measured with conformance test signal at TP3 for the BER = 2.4x10⁻⁴

V. Electrical Characteristics

1. Electrical Specification High Speed Signal (compliant with IEEE802.3ck C2M)

Parameter	Symbol	Min.	Typical	Max.	Unit
Receiver (Module Output, TP4)					
AC common-mode output Voltage (RMS)				25	mV
Differential peak-to-peak Output Voltage Short Mode Long Mode				600 845	mV
Eye Height	EH	15			mV
Vertical Eye Closure	VEC			12	dB
Common-mode to Differential-mode Return Loss	RLDc		802.3ck120G-1		dB
Effective Return Loss	ERL	8.5			dB
Differential Termination Mismatch				10	%
Transition Time		8.5			ps
DC Common-mode Voltage Tolerance		-0.35		2.85	V
Transmitter (Module Input, TP1)					
Differential pk-pk Input Voltage Tolerance (TP1a)		750			mV
AC Common-mode RMS Voltage Tolerance (TP1a)		25			mV
Differential-mode to Common-mode Return Loss	RLcd		802.3ck120G-2		dB
Effective Return Loss	ERL	8.5			dB
Differential Termination Mismatch				10	%
Single-ended Voltage Tolerance Range		-0.4		3.3	V
DC Common-mode Voltage Tolerance		-0.35		2.85	V

2. Electrical Specification Low Speed Control and Sense Signals (compliant with QSFP-DD HW Rev 6.01)

Parameter	Symbol	Min.	Max.	Unit
Module Output SC Land SDA	V_{OL}	0	0.4	V
Module Input SCL and SDA	V_{IL}	-0.3	$V_{CC}*0.3$	V
	V_{IH}	$V_{CC}*0.7$	$V_{CC}+0.5$	V
InitMode, ResetL and ModSelL	V_{IL}	-0.3	0.8	V
	V_{IH}	2	$V_{CC}+0.3$	V
IntL	V_{OL}	0	0.4	V
	V_{OH}	$V_{CC}-0.5$	$V_{CC}+0.3$	V

VI. Principle Diagram

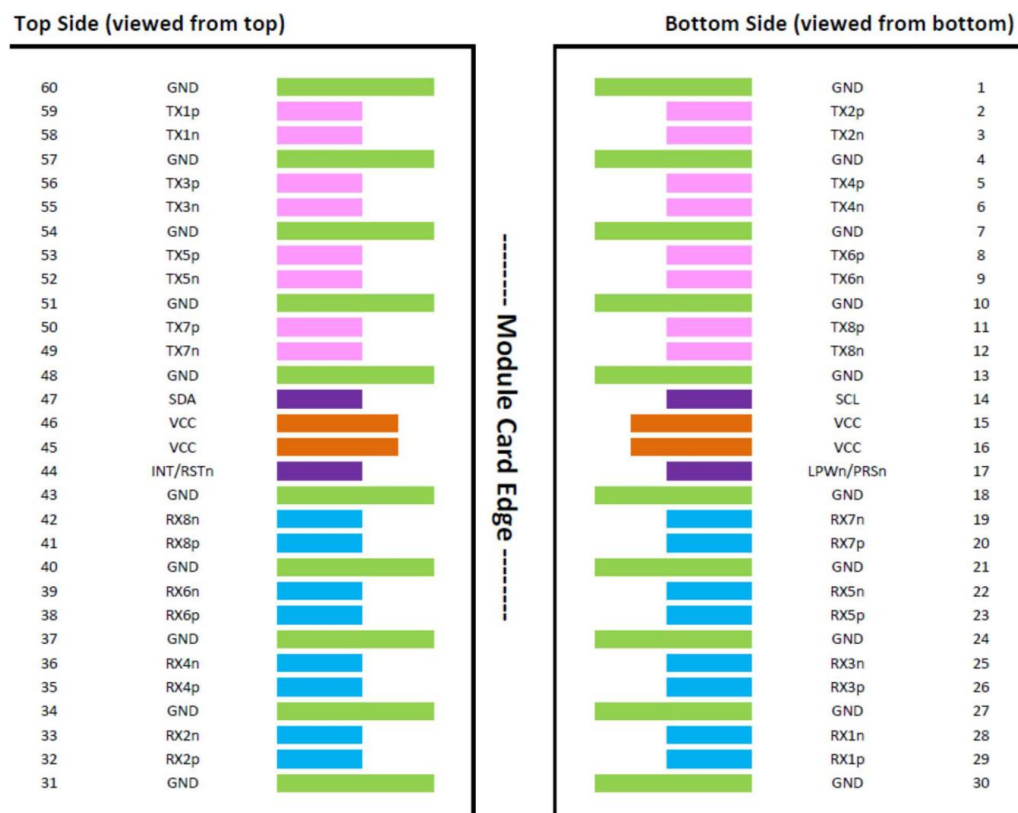


Figure 1 – Pinout definitions of OSFP module inputs/outputs

VII. PIN Description

Pin#	Symbol	Description	Logic	Pin#	Symbol	Description	Logic
1	GND	Ground		31	GND	Ground	
2	TX2p	Transmitter Data Non-Inverted	CML-I	32	RX2p	Receiver Data Non-Inverted	CML-O
3	TX2n	Transmitter Data Inverted	CML-I	33	RX2n	Receiver Data Inverted	CML-O
4	GND	Ground		34	GND	Ground	
5	TX4p	Transmitter Data Non-Inverted	CML-I	35	RX4p	Receiver Data Non-Inverted	CML-O
6	TX4n	Transmitter Data Inverted	CML-I	36	RX4n	Receiver Data Inverted	CML-O
7	GND	Ground		37	GND	Ground	
8	TX6p	TransmitterData Non-Inverted	CML-I	38	RX6p	Receiver Data Non-Inverted	CML-O
9	TX6n	Transmitter Data Inverted	CML-I	39	RX6n	Receiver Data Inverted	CML-O
10	GND	Ground		40	GND	Ground	
11	TX8p	Transmitter Data Non-Inverted	CML-I	41	RX8p	Receiver Data Non-Inverted	CML-O
12	TX8n	Transmitter Data Inverted	CML-I	42	RX8n	Receiver Data Inverted	CML-O
13	GND	Ground		43	GND	Ground	
14	SCL	2-wire Serial Interface Clock	LVC MOS-I/O	44	INT/RSTn	Module Interrupt/Module Reset	Multi-Level
15	VCC	3.3VPower		45	VCC	3.3VPower	
16	VCC	3.3VPower		46	VCC	3.3VPower	
17	LPWn/PRSn	Low-Power Mode/Module Present	Multi-Level	47	SDA	2-wire Serial Interface Data	LVC MOS-I/O
18	GND	Ground		48	GND	Ground	

Pin#	Symbol	Description	Logic	Pin#	Symbol	Description	Logic
22	RX5n	Receive rData Inverted	CML-O	52	TX5n	Transmitter Data Inverted	CML-I
23	RX5p	Receiver Data Non-Inverted	CML-O	53	TX5p	Transmitter Data Non-Inverted	CML-I
24	GND	Ground		54	GND	Ground	
25	RX3n	Receiver Data Inverted	CML-O	55	TX3n	Transmitter Data Inverted	CML-I
26	RX3p	Receiver Data Non-Inverted	CML-O	56	TX3p	Transmitter Data Non-Inverted	CML-I
27	GND	Ground		57	GND	Ground	
28	RX1n	Receiver Data Inverted	CML-O	58	TX1n	Transmitter Data Inverted	CML-I
29	RX1p	Receiver Data Non-Inverted	CML-O	59	TX1p	Transmitter Data Non-Inverted	CML-I
30	GND	Ground		60	GND	Ground	

VIII. Digital Diagnostic Functions

Parameter	Range	Accuracy	Unit	Calibration
Temperature	0~70	±3	°C	Internal
Voltage	0~V _{CC}	0.1	V	Internal
Tx Bias Current (each Lane)	0~100	10%	mA	Internal
Tx Output Power (each Lane)	-3.1~4	±3	dB	Internal
Rx Receive Power (each Lane)	-7.1~4	±3	dB	Internal

IX. Recommended OSFP Host Board Schematic

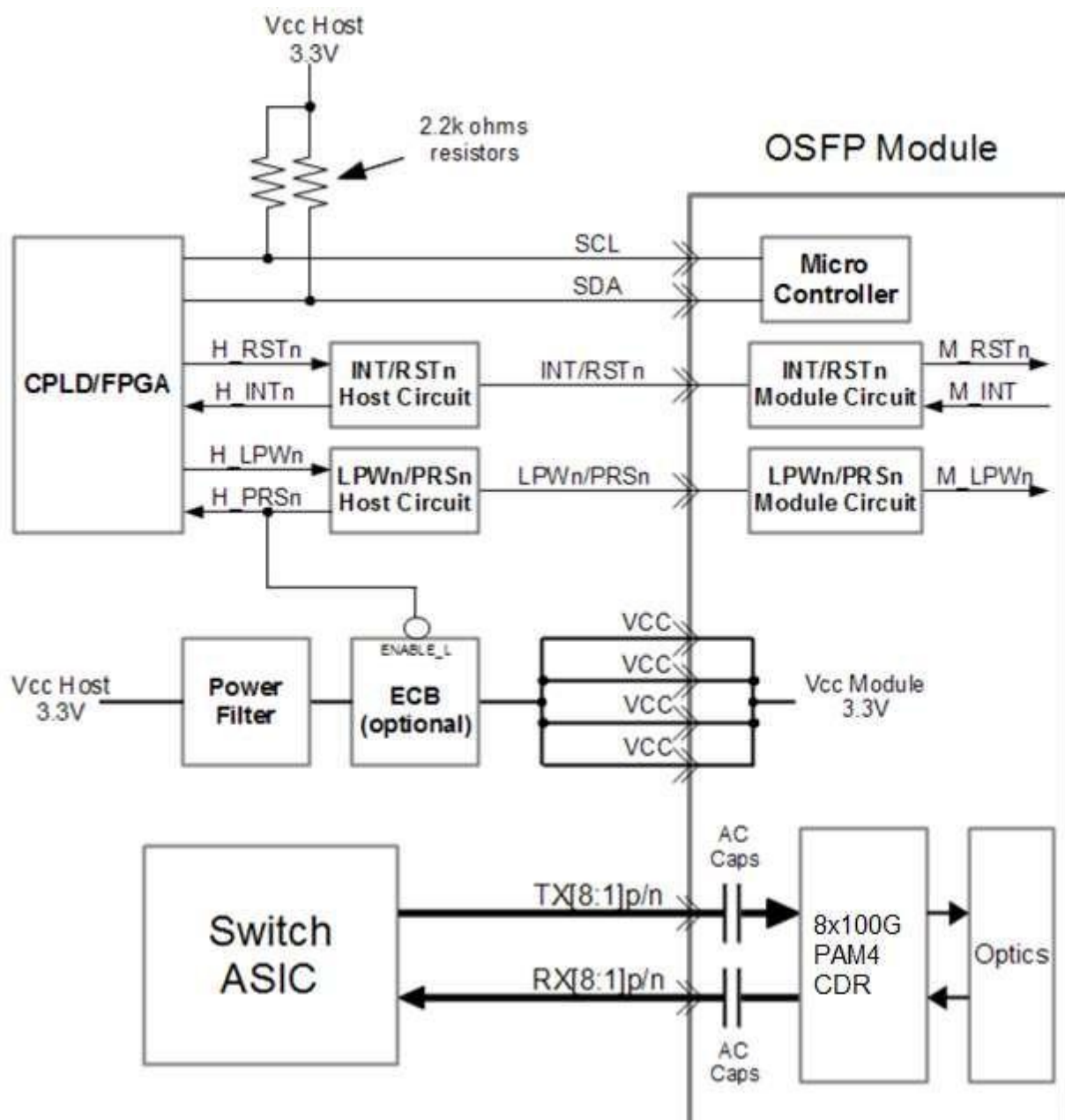
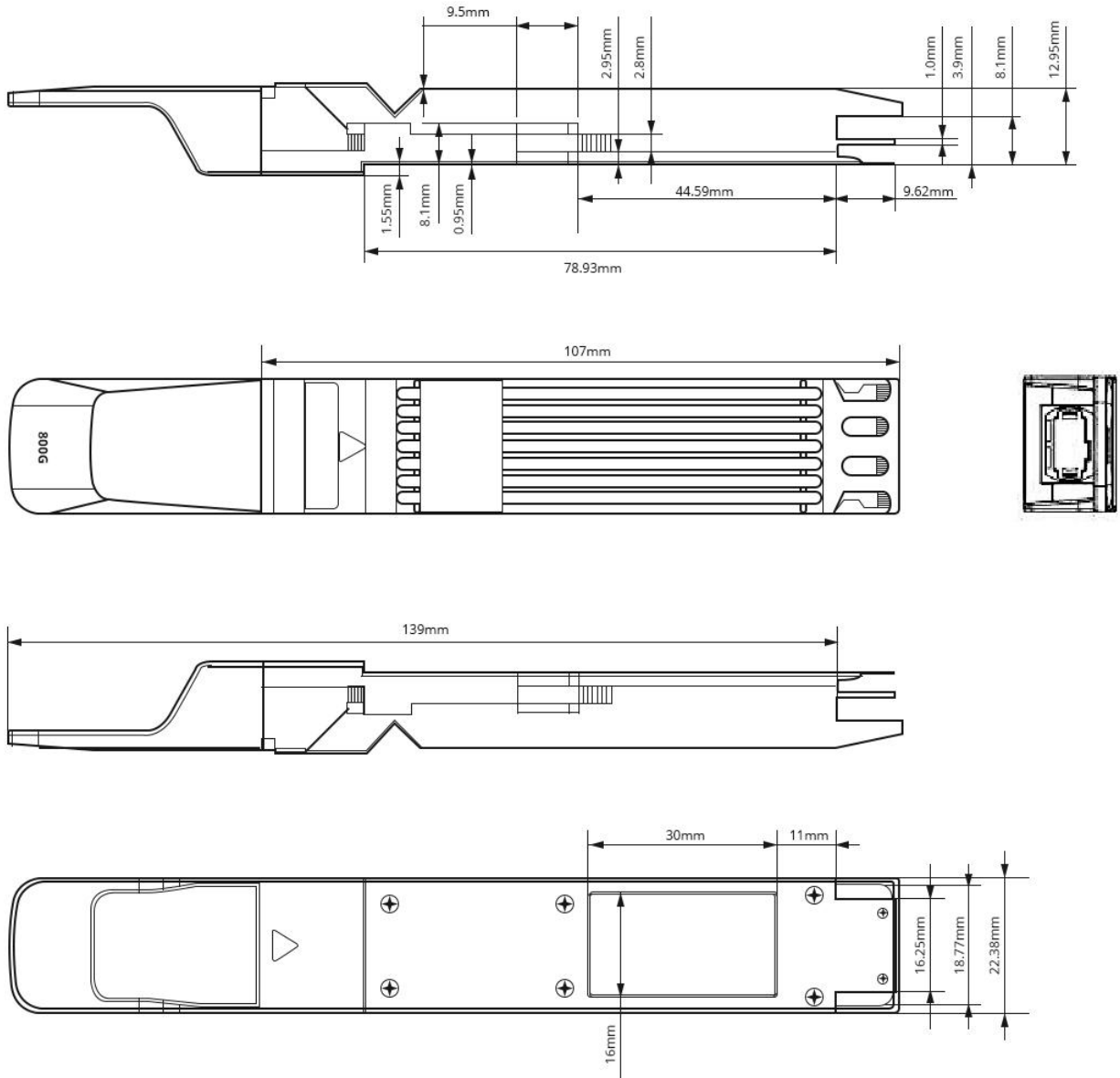


Figure 2 – Recommended OSFP Host Board Schematic

X. Mechanical Diagram



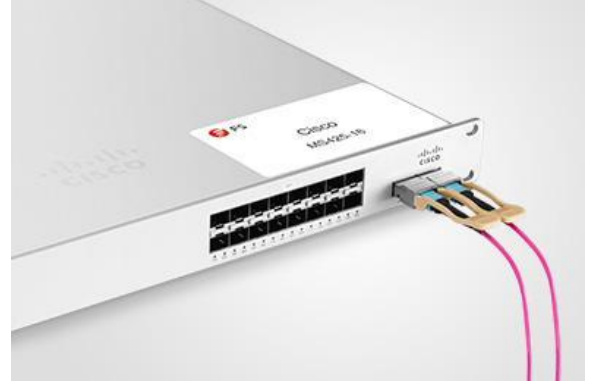
Test Center

I. Compatibility Testing

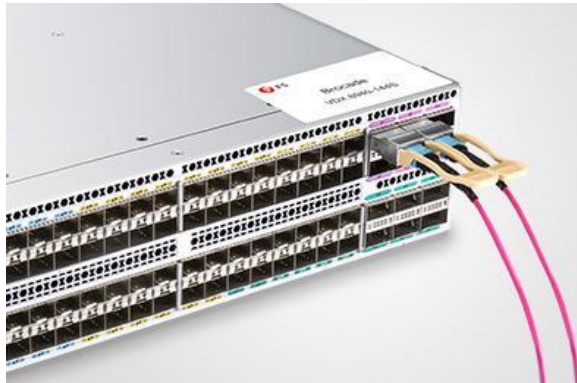
Each fiber optical transceiver has been tested in host device on site in FS Assured Program to ensure full compatibility with over 200 vendors.



Cisco Catalyst C9500-24Y4C



Cisco MS425-16



Brocade VDX 6940-144S



Dell EMC Networking Z9100-ON



Force10 S60-44T

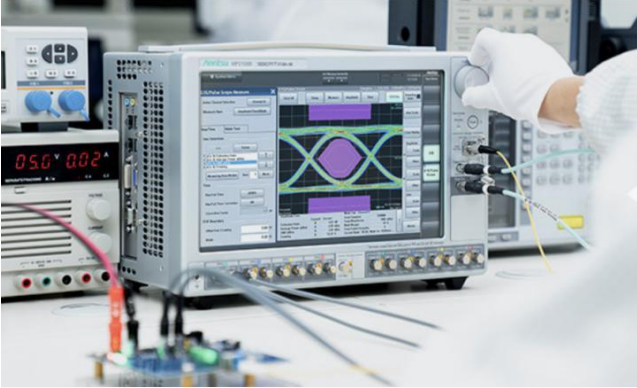


HUAWEI S6720-30L-HI-24S

Above is part of our test bed network equipment. For more information, please click the Test Bed PDF. It will be updated in real time as we expand our portfolio.

II. Performance Testing

Each fiber optical transceiver has been fully tested in FS Assured Program equipped with world's most advanced analytical equipment to ensure that our transceivers work perfectly on your device.



1. TX/RX Signal Quality Testing

Equipped with the all-in-one tester integrated 4ch BERT & sampling oscilloscope, and variable optical attenuator to ensure the input and output signal quality.

- Eye Pattern Measurements: jitter, Mask Margin, etc
- Average Output Power
- OMA
- Extinction Ratio
- Receiver Sensitivity
- BER Curve

2. Reliability and Stability Testing

Subject the transceivers to dramatic changes in temperature on the thermal shock chamber to ensure reliability and stability of the transceivers.

- Commercial: 0 °C to 70 °C
- Extended: -5 °C to 85 °C
- Industrial: -40 °C to 85 °C



3. Transfer Rate and Protocol Testing

Test the actual transfer data rate and the transmission ability under different protocols with Network Master Pro.

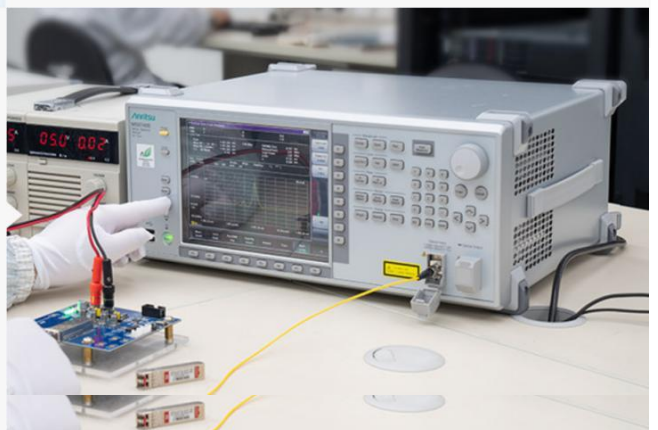
- Ethernet
- Fibre Channel
- SDH/SONET
- CPRI



4. Optical Spectrum Evaluation

Evaluate various important parameters with the Optical Spectrum Analyzer to meet the industry standards.

- Center Wavelength, Level
- OSNR
- SMSR
- Spectrum Width



Order Information

Part Number	Description
OSFP800-DR8-B2	800GBASE-DR8 OSFP PAM4 1310nm 500m DOM MTP/MPO SMF Optical Transceiver
OSFP800-2FR4-A2	800GBASE-2FR4 OSFP PAM4 1310nm 2km DOM LC SMF Optical Transceiver
QDD800-2FR4-C1	800GBASE-2FR4 QSFP-DD PAM4 1310nm 2km DOM Dual CS SMF Optical Transceiver
OSFP800-XDR8-B1	800GBASE-XDR8 OSFP PAM4 1310nm 2km DOM MTP/MPO-16 SMF Optical Transceiver



 <https://www.fs.com>



The information in this document is subject to change without notice. FS has made all efforts to ensure the accuracy of the information, but all information in this document does not constitute any kind of warranty.