

# 42U 600x1100mm GR600-Series Server Cabinet



## Premium Server Cabinet for Data Center

GR600-series cabinet is the ideal solution for secure, high-density server applications, which is packed with features designed to simplify rack equipment installations and rack equipment maintenance: top-panel cable routing ports, perforated doors to promote efficient airflow, adjustable mounting rails and more.

## Key Features

### 1. Perforated Door

Provide massive ventilation for server equipment.



### 2. Top Panel

Easy access for overhead cabling with six brush-covered cable openings.



### 3. Side Panel

Locking removable side panels improve ease of installation.



### 4. Mounting Rail

Vertical mounting rails can be adjusted in half-inch (12.7mm) increments.



### 5. Grounding System

Grounded to the cabinet frame and protect people and device.



### 6. Casters & Leveling Feet

Allow cabinet roll to the final installation location and adjust and level it on uneven surfaces.



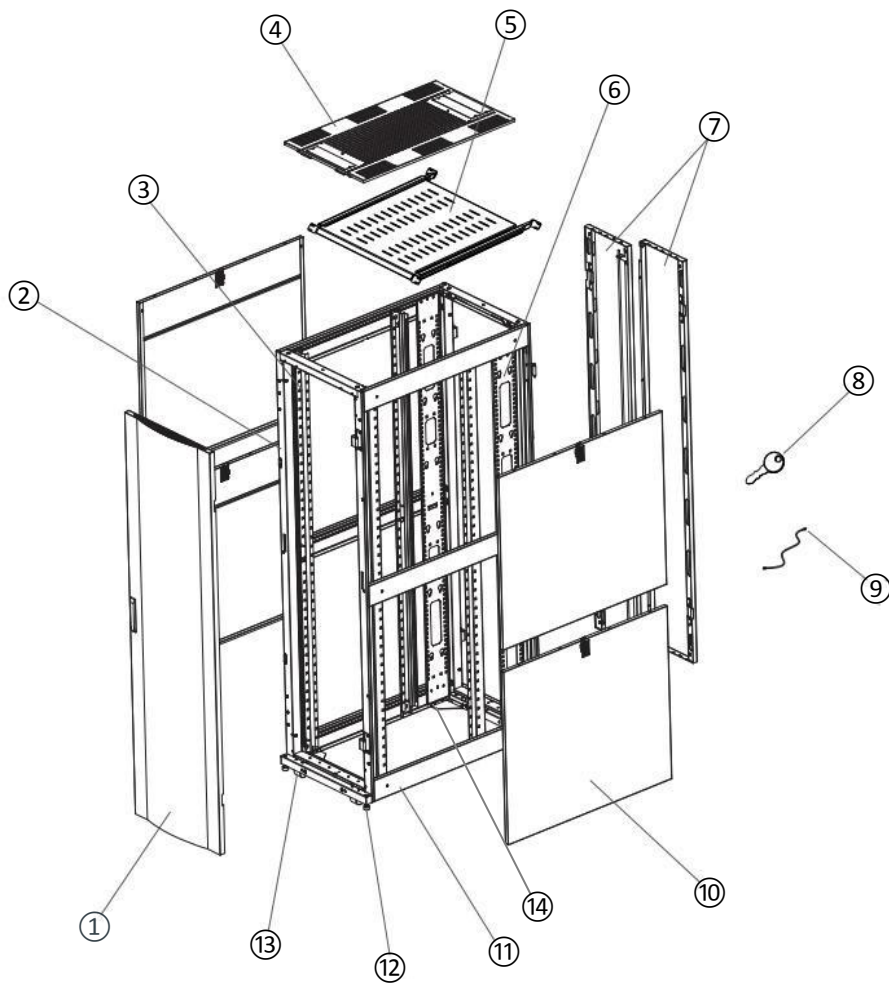
## Technical Specification

<b>Product Type</b>	Server Cabinet
<b>Number of Rack Spaces</b>	42U
<b>Maximum Height</b>	80.19" (2036.94mm)
<b>Maximum Width</b>	23.62" (600.00mm)
<b>Maximum Depth</b>	43.31" (1100.00mm)
<b>Maximum Device Depth (with PDU Bracket)</b>	33.46" (850.00mm)
<b>Minimum Device Depth</b>	7.48" (190.00mm)
<b>Rack-Mount Width</b>	19.02" (483.00mm)
<b>Color</b>	Black
<b>Front Door</b>	Perforated
<b>Rear Door</b>	Split Perforated
<b>Static Load on Leveling Feet</b>	3307lbs (1500kg)
<b>Rolling Load on Casters</b>	2205lbs (1000kg)
<b>PDU Bracket</b>	2pcs
<b>Adjustable Fixed Shelves</b>	1 Set (2pcs)
<b>19" EIA Square Mounting Holes</b>	√
<b>Adjustable Mounting Depth</b>	√
<b>Grounding Wire</b>	Front and back door frames, top panel and side panels

## Compliant

ANSI/EIA RS-310-D, IEC297-2, DIN 41491;  
PART1, DIN41494; PART 7, GB/T3047.2-92, ETSI Standard

## Assembly Structure Illustration

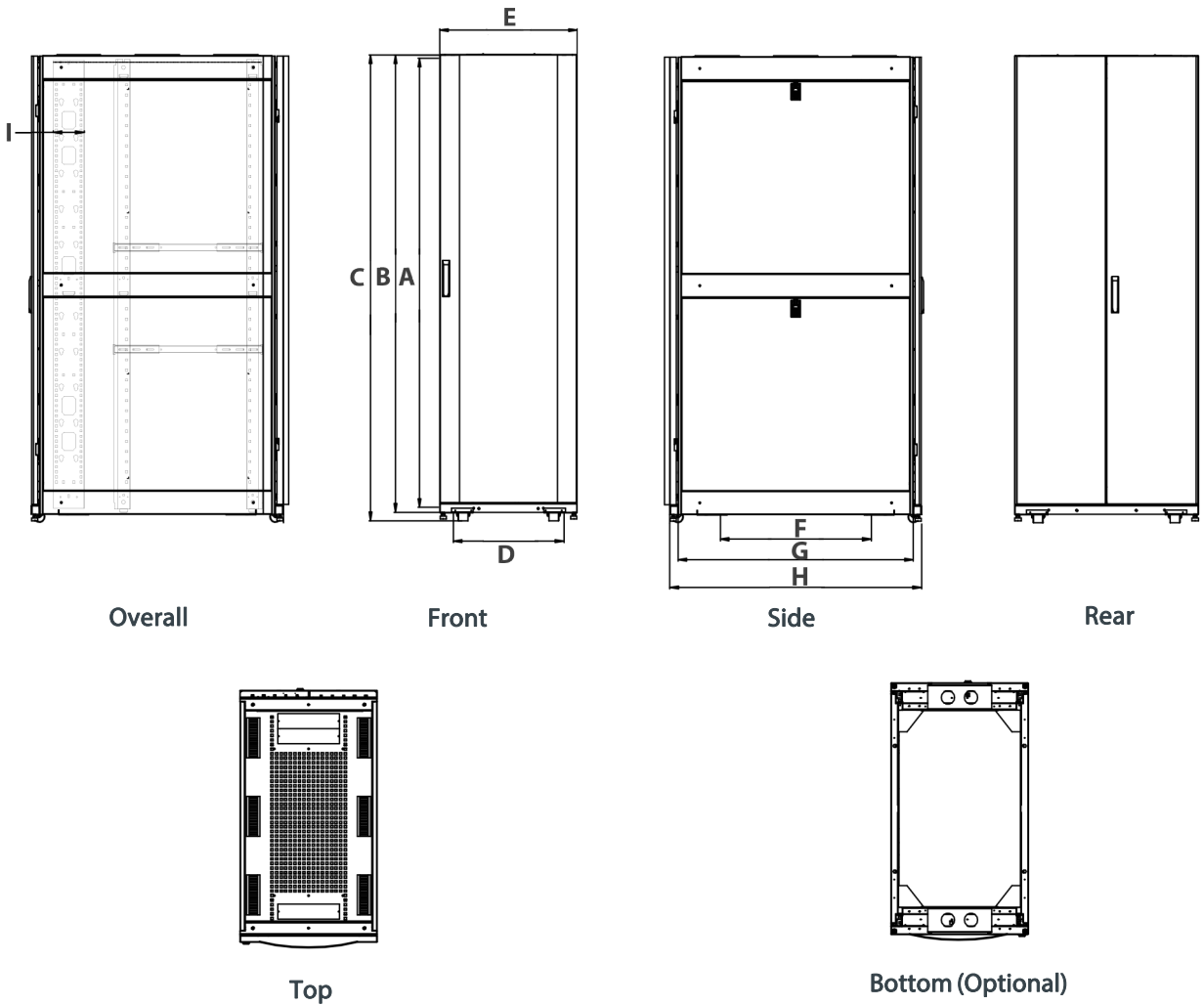


- |                                 |                                   |
|---------------------------------|-----------------------------------|
| ① Perforated Front Door (x1)    | ⑧ Swing Handle Lock with Key (x2) |
| ② Welded Frame (x2)             | ⑨ Grounding Wire (x8)             |
| ③ Adjustable Mounting Rail (x4) | ⑩ Lockable Side Panel (x4)        |
| ④ Top Panel (x1)                | ⑪ Beam (x6)                       |
| ⑤ Adjustable Fixed Shelf (x2)   | ⑫ Leveling Feet (x4)              |
| ⑥ PDU Bracket (x2)              | ⑬ Rolling Caster (x4)             |
| ⑦ Split Rear Doors (x2)         | ⑭ Stabilization Bracket (x4)      |

### Accessories

- Allen Wrench (x1)
- Phillips-head Screwdriver (x1)
- Hex Screwdriver Bit (x1)
- M6 Screw, Nut and Cup Washer (x50)
- Phillips-head Screwdriver Bit (x1)
- Assembly Instruction (x1)

## Layout and Dimensions



Height	
A - Rail Height	77.28" (1963.00mm)
B - Height (Overall)	78.74" (2000.00mm)
C - Height (With Casters)	80.19" (2036.94mm)
Width	
D - Rail Width	19.02" (483.00mm)
E - Width (Overall)	23.62" (600.00mm)
Depth	
F - Maximum Rail Depth	30.47" (774.00mm)
G - Frame Depth	40.51" (1029.00mm)
H - Depth (Overall)	43.31" (1100.00mm)
I - PDU Bracket Depth	5.33" (135.50mm)



 <https://www.fs.com>



The information in this document is subject to change without notice. FS has made all efforts to ensure the accuracy of the information, but all information in this document does not constitute any kind of warranty.