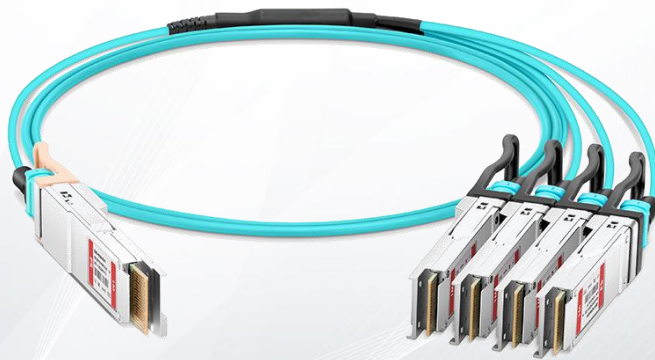


400G QSFP-DD to 4x100G QSFP56 Active Optical Breakout Cable



Application

- Data Centers and Cloud Networks
- Other Interconnect Requirement

Standards

- IEEE 802.3cd
- IEEE 802.3bs Annex120E
- OIF-CEI-04.0
- SFF-8024 Rev. 4.6
- QSFP-DD MSA
- SFF-8679 Rev1.8
- QSFP-DD-CMIS-Rev 4.0
- SFF-8665 Rev1.9

Features

- Up to 53.125Gbps Data Rate Per Channel by PAM4 Modulation
- Support 400GAUI-8 Electrical Interface (400G QSFP-DD)
Support 100GAUI-2 Electrical Interface (100G QSFP56)
- Integrated 850nm VCSEL Array and PD Array
- DDM Function Implemented
- Hot-Pluggable QSFP-DD and QSFP56 Form Factor
- Power Dissipation: <10W (400G End), <3W (100G End)
- Single +3.3V Power Supply
- Operating Temperature Range: 0~ 70 °C

Description

The 400G QSFP-DD-4x100G QSFP56 breakout AOC is designed for relatively short connection, offering a low-cost, high-density solution alternative for system providers and customers implementing 400GE/100GE in Data Centers and Cloud Networks. This breakout cable is compliant with IEEE 802.3cd, OIF-CEI, QSFP-DD MSA, QSFP-DD-CMIS, IEEE 802.3bs Annex120E SFF-8024, SFF-8679, SFF-8665 standards.

Product Specifications

I. Absolute Maximum Ratings

Parameter	Symbol	Unit	Min.	Max.
Storage Temperature Range	T_s	°C	-20	+85
Relative Humidity	RH	%	0	85
Power Supply Voltage	V_{CC}	V	-0.5	+4.0

II. Recommended Operating Conditions

Parameter	Symbol	Unit	Min.	Typ.	Max.
Operating Case Temperature Range	T_{ca}	°C	0		70
Power Supply Voltage	V_{CC}	V	3.135	3.3	3.465
Bit Rate (per Channel)	BR	GBd		26.5625	
Humidity	Rh	%	5		85
Fiber Bend Radius	R_b	cm	3		

III. Electric Specifications (400G QSFP-DD and 100G QSFP56)

Parameter	Symbol	Unit	Min.	Typ.	Max.	Notes
Supply Voltage	V_{CC} $V_{CC3.3-Tx}$ $V_{CC3.3-Rx}$	V	3.135	3.3	3.465	
Power Consumption (QSFP-DD)	Pc	W			11	Per-end
Power Consumption (QSFP56)					5	
Transceiver Power-on Initialize Time		ms			2000	
Transmitter						
Differential Peak-to-peak input Voltage Tolerance		mV	900			
Differential Termination Mismatch					10%	
Differential Input Return Loss(SDD11)		dB				See CEI-56G-VSR
Common-mode to Differential Conversion and Differential to Common-mode Conversion(SCD11, SDC11)		dB				See CEI-56G-VSR
Receiver						
Differential Peak-to-peak Output Voltage		mV			900	
DC Common Mode Voltage	Vcm	mV	-0.35		2.85	
AC Common Mode Noise, RMS		mV			17.5	
Differential Termination Mismatch		%			10	
Differential Output Return Loss(SDD22)		dB				See CEI-56G-VSR
Common-mode to Differential Conversion and Differential to Common-mode Conversion(SCD22, SDC22)		dB				See CEI-56G-VSR

Parameter	Symbol	Unit	Min.	Typ.	Max.	Notes
IIC communication						
IIC Clock Frequency (QSFP-DD)				400		
		KHZ			1000	
IIC Clock Frequency (QSFP56)				100		
Clock Stretching		us			500	
Data Hold Time		ns				

IV. Principle diagram

1. 400G QSFP-DD

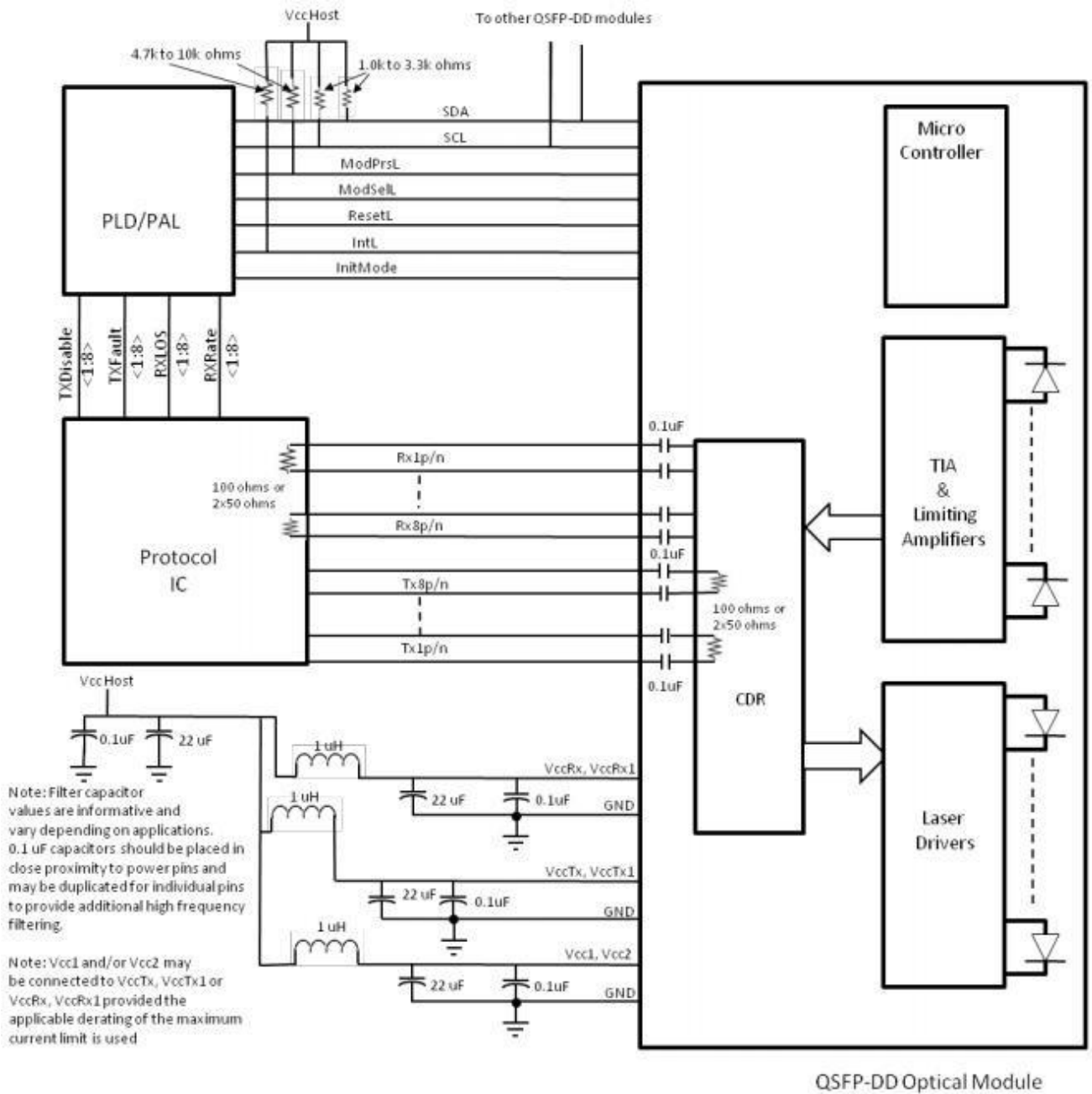


Figure1. Module Principle Diagram

2. 100G QSFP56

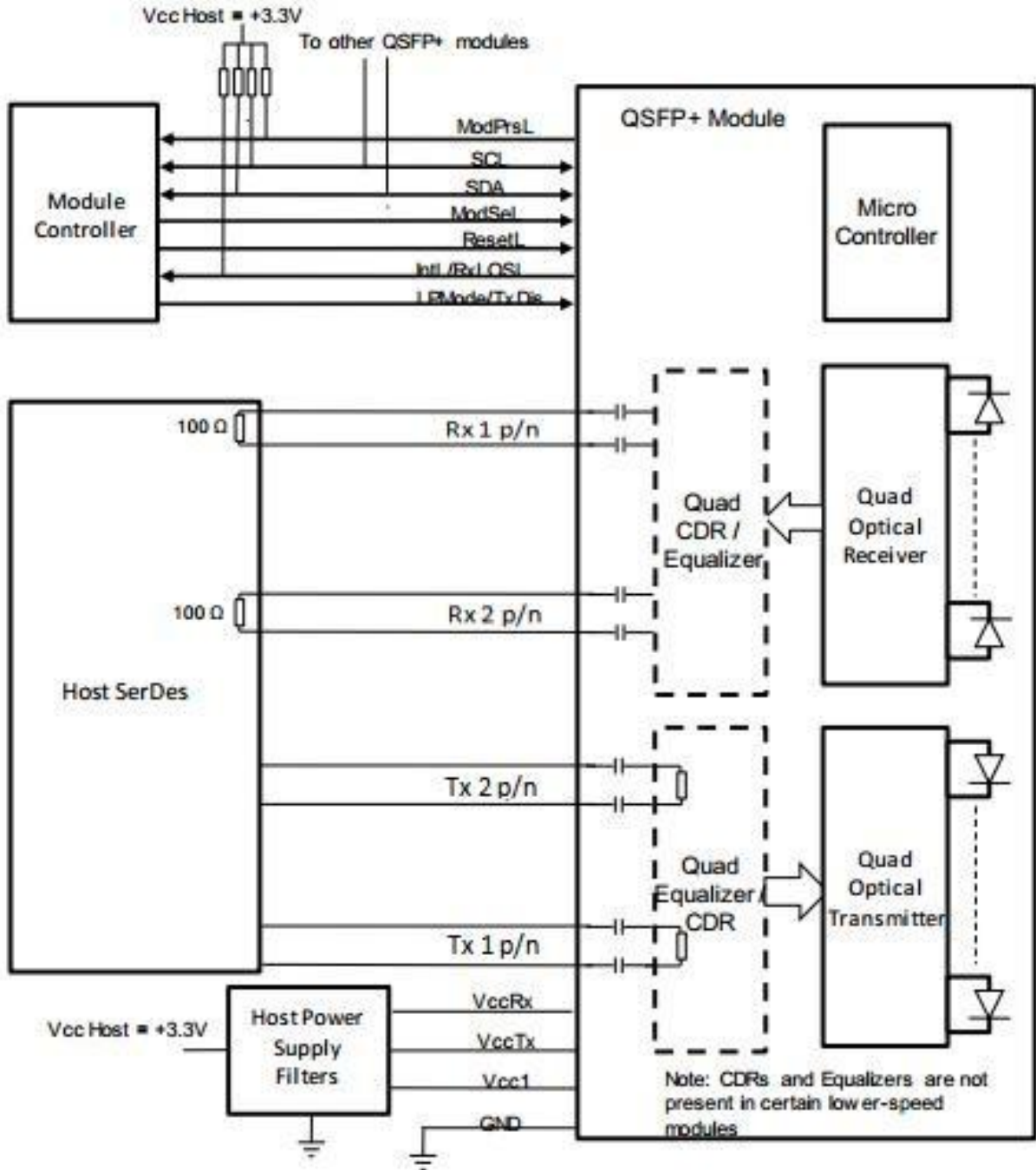


Figure 2. Module Principle Diagram

V.Pin Description

1. 400G QSFP-DD

PIN	Logic	Symbol	Description	Note
1		GND	Ground	1
2	CML-I	Tx2n	Transmitter Inverted Data Input	
3	CML-I	Tx2p	Transmitter Non-Inverted Data Output	
4		GND	Ground	1
5	CML-I	Tx4n	Transmitter Inverted Data Input	
6	CML-I	Tx4p	Transmitter Non-Inverted Data Output	
7		GND	Ground	1
8	LVTTL-I	ModSelL	Module Select	
9	LVTTL-I	ResetL	Module Reset	
10		VccRx	3.3V Power Supply Receiver	2
11	LVCOMS-I/O	SCL	2-Wire Serial Interface Clock	
12	LVCOMS-I/O	SDA	2-Wire Serial Interface Data	
13		GND	Ground	1
14	CML-O	Rx3p	Receiver Non-Inverted Data Output	
15	CML-O	Rx3n	Receiver Inverted Data Output	
16		GND	Ground	1
17	CML-O	Rx1p	Receiver Non-Inverted Data Output	
18	CML-O	Rx1n	Receiver Inverted Data Output	

PIN	Logic	Symbol	Description	Note
19		GND	Ground	1
20		GND	Ground	1
21	CML-O	Rx2n	Receiver Inverted Data Output	
22	CML-O	Rx2p	Receiver Non-Inverted Data Output	
23		GND	Ground	1
24	CML-O	Rx4n	Receiver Inverted Data Output	
25	CML-O	Rx4p	Receiver Non-Inverted Data Output	
26		GND	Ground	1
27	LVTTL-O	ModPrsL	Module Present	
28	LVTTL-O	IntL	Interrupt	
29		V _{cc} Tx	3.3 V Power Supply transmitter	2
30		V _{cc} 1	3.3 V Power Supply	2
31	LVTTL-I	InitMode	Initialization mode; In legacy QSFP applications, the IntiModepad is called LPMMode	
32		GND	Ground	1
33	CML-I	Tx3p	Transmitter Inverted Data Input	
34	CML-I	Tx3n	Transmitter Non-Inverted Data Output	
35		GND	Ground	1
36	CML-I	Tx1p	Transmitter Inverted Data Input	
37	CML-I	Tx1n	Transmitter Non-Inverted Data Output	

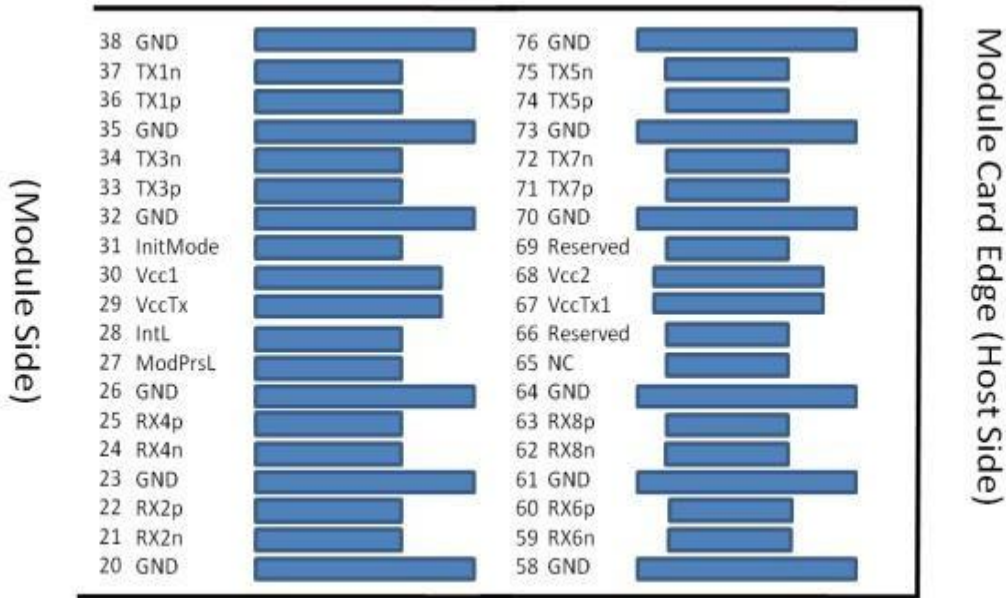
PIN	Logic	Symbol	Description	Note
40	CML-I	Tx6n	Transmitter Inverted Data Input	
41	CML-I	Tx6p	Transmitter Non-Inverted Data Output	
42		GND	Ground	1
43	CML-I	Tx8n	Transmitter Inverted Data Input	
44	CML-I	Tx8p	Transmitter Non-Inverted Data Output	
45		GND	Ground	1
46		Reserved	For Future Use	3
47		VS1	Module Vendor Specific 1	3
48		V _{CC} Rx1	3.3V Power Supply Receiver	2
49		VS2	Module Vendor Specific 2	3
50		VS3	Module Vendor Specific 3	3
51		GND	Ground	1
52	CML-0	Rx7p	Receiver Non-Inverted Data Output	
53	CML-0	Rx7n	Receiver Inverted Data Output	
54		GND	Ground	1
55	CML-0	Rx5p	Receiver Non-Inverted Data Output	
56	CML-0	Rx5n	Receiver Inverted Data Output	
57		GND	Ground	1
58		GND	Ground	1

PIN	Logic	Symbol	Description	Note
61		GND	Ground	1
62	CML-0	Rx8n	Receiver Inverted Data Output	
63	CML-0	Rx8p	Receiver Non-Inverted Data Output	
64		GND	Ground	1
65		NC	Not Connect	3
66		Reserved	For Future Use	3
67		V _{CC} Tx 1	3.3 V Power Supply Transmitter	2
68		V _{CC} 2	3.3 V Power Supply	2
69		Reserved	For Future Use	3
70		GND	Ground	1
71	CML-I	Tx7p	Transmitter Inverted Data Input	
72	CML-I	Tx7n	Transmitter Non-Inverted Data Output	
73		GND	Ground	1
74	CML-I	Tx5p	Transmitter Inverted Data Input	
75	CML-I	Tx5n	Transmitter Non-Inverted Data Output	
76		GND	Ground	1

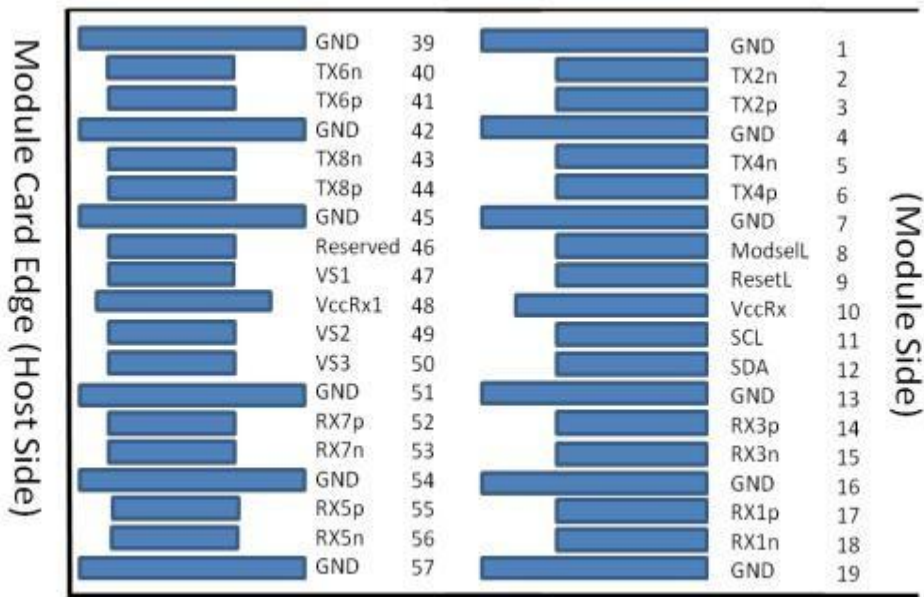
Notes:

1. QSFP-DD uses common ground (GND) for all signals and supply (power). All the common within the QSFP-DD module and all module voltages are referenced to this potential unless otherwise noted. Connected these directly to the host board signal common ground plane.
2. V_{CC}Rx, V_{CC}Rx1, V_{CC}1, V_{CC}2, V_{CC}Tx, and V_{CC}Tx1 shall be applied concurrently. Requirements defined for the host side of the Host Card Edge Connector are listed in Table 4. V_{CC}Rx, V_{CC}Rx1, V_{CC}1, V_{CC}2, V_{CC}Tx, and V_{CC}Tx1 may be internally connected within the module in any combination. The connector Vcc pins are each rated for a maximum current of 1000mA.
3. All Vendor Specific, Reserved and No Connect pins may be terminated with 50 ohms to ground on the host. Pad 65 (No Connect) shall be left unconnected within the module. Vendor Specific and Reserved pads shall have an impedance to GND that is greater than 10 kOhms and less than 100pF.

1.1. Mechanical Dimensions



Top side viewed from top



Bottom side viewed from bottom

Figure 3. Electrical Pin-out Details

2.100G QSFP56

PIN	Logic	Symbol	Description	Note
1		GND	Ground	1
2	CML-I	Tx2n	Transmitter Inverted Data Input	
3	CML-I	Tx2p	Transmitter Non-Inverted Data Output	
4		GND	Ground	1
5	CML-I	NA	NA _t	
6	CML-I	NA	NA	
7		GND	Ground	1
8	LVTTL-I	ModSelL	Module Select	
9	LVTTL-I	ResetL	Module Reset	
10		V _{CC} Rx	3.3V Power Supply Receiver	2
11	LVCOMS-I/O	SCL	2-Wire Serial Interface Clock	
12	LVCOMS-I/O	SDA	2-Wire Serial Interface Data	
13		GND	Ground	1
14	CML-O	NA	NA	
15	CML-O	NA	NA	
16		GND	Ground	1
17	CML-O	Rx1p	Receiver Non-Inverted Data Output	
18	CML-O	Rx1n	Receiver Inverted Data Output	

2.100G QSFP56

PIN	Logic	Symbol	Description	Note
19		GND	Ground	1
20		GND	Ground	1
21	CML-O	Rx2n	Receiver Inverted Data Output	
22	CML-O	Rx2p	Receiver Non-Inverted Data Output	
23		GND	Ground	1
24	CML-O	NA	NA	
25	CML-O	NA	NA	
26		GND	Ground	1
27	LVTTTL-O	ModPrsL	Module Present	
28	LVTTTL-O	IntL/RxLOSL	Interrupt. Optionally configurable as RxLOSL Via the Management Interface (SFF-8636)	
29		V _{CC} Tx	+3.3 V Power Supply transmitter	2
30		V _{CC} 1	+3.3 V Power Supply	2
31	LVTTTL-I	LPMoDe/TxDis	Low Power Mode.Optionally Configurable as TxDis Via the Management Interface (SFF-8636).	
32		GND	Ground	1
33	CML-I	NA	NA	
34	CML-I	NA	NA	
35		GND	Ground	1
36	CML-I	Tx1p	Transmitter Inverted Data Input	

PIN	Logic	Symbol	Description	Note
37	CML-I	Tx1n	Transmitter Non-Inverted Dataoutput	
38		GND	Ground	1

Notes:

1. GND is the symbol for signal and supply (power) common for the QSFP28 module. All are common within the module and all module voltages are referenced to this potential unless otherwise noted. Connect these directly to the host board signal common ground plane.
2. VccRx, Vcc1 and VccTx are the receiving and transmission power suppliers and shall be applied concurrently. Recommended host board power supply filtering is shown in Figure 2 below. Vcc Rx, Vcc1 and Vcc Tx may be internally connected within the module in any combination. The connector pins are each rated for a maximum current of 1000mA.

2.1. Mechanical Dimensions

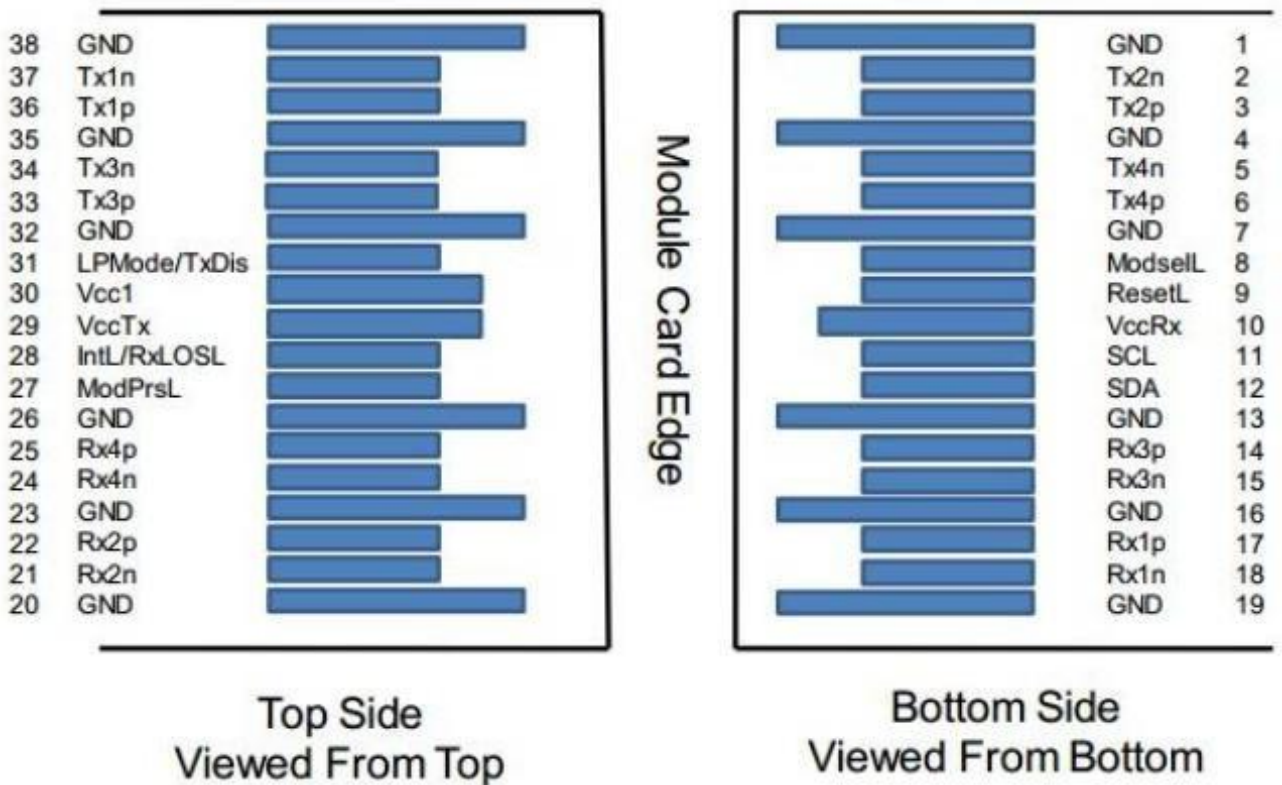


Figure 4. Electrical Pin-out Details

VI. Host Board Power Supply Filtering

1. 400G QSFP-DD

Any voltage drop across a filter network on the host is counted against the host DC set point accuracy specification. Inductors with DC Resistance of less than 0.1 Ohm should be used in order to maintain the required voltage at the Host Edge Card Connector. Figure is the suggested transceiver/host interface.

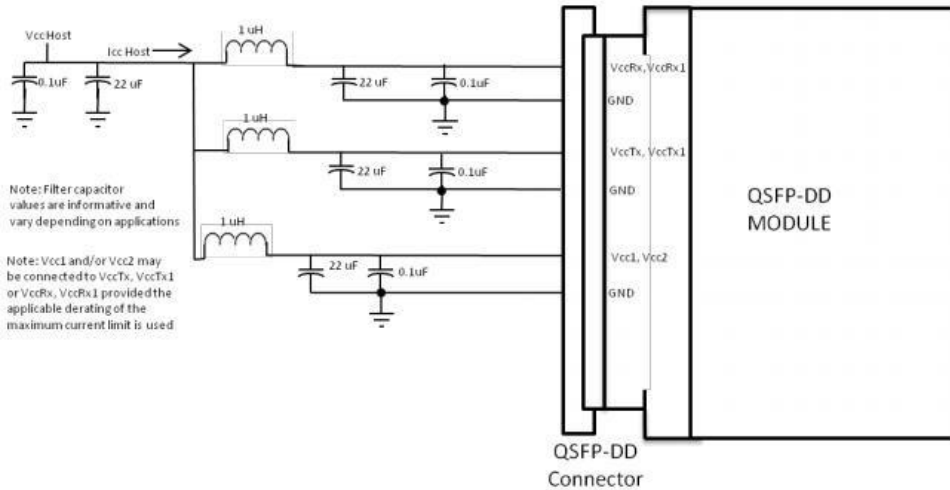


Figure 5. Recommended Host Board Power Supply Filtering

2. 200G QSFP56

Any voltage drop across a filter network on the host is counted against the host DC set point accuracy specification. Inductors with DC resistance of less than 0.1 Ω should be used in order to maintain the required voltage at the host edge card connector. It is recommended that the 22 uF capacitors each have an equivalent series resistance of 0.22 Ω. The specification of the host power supply filtering network is beyond the scope of this specification, particularly because of the wide range of QSFP+ module Power Classes. Figure is the suggested transceiver/host interface.

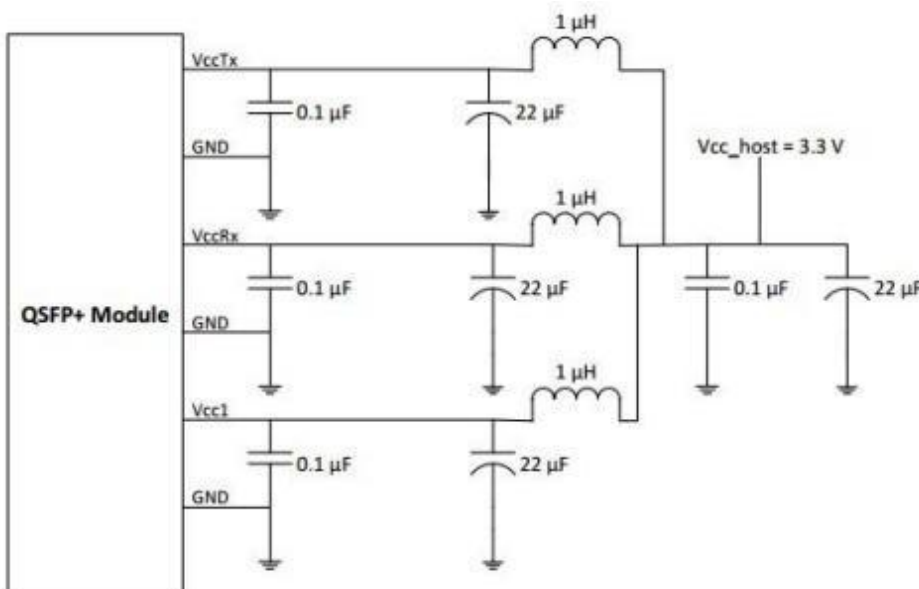


Figure 6. Recommended Host Board Power Supply Filtering

VII. Mechanical Cable Characteristics

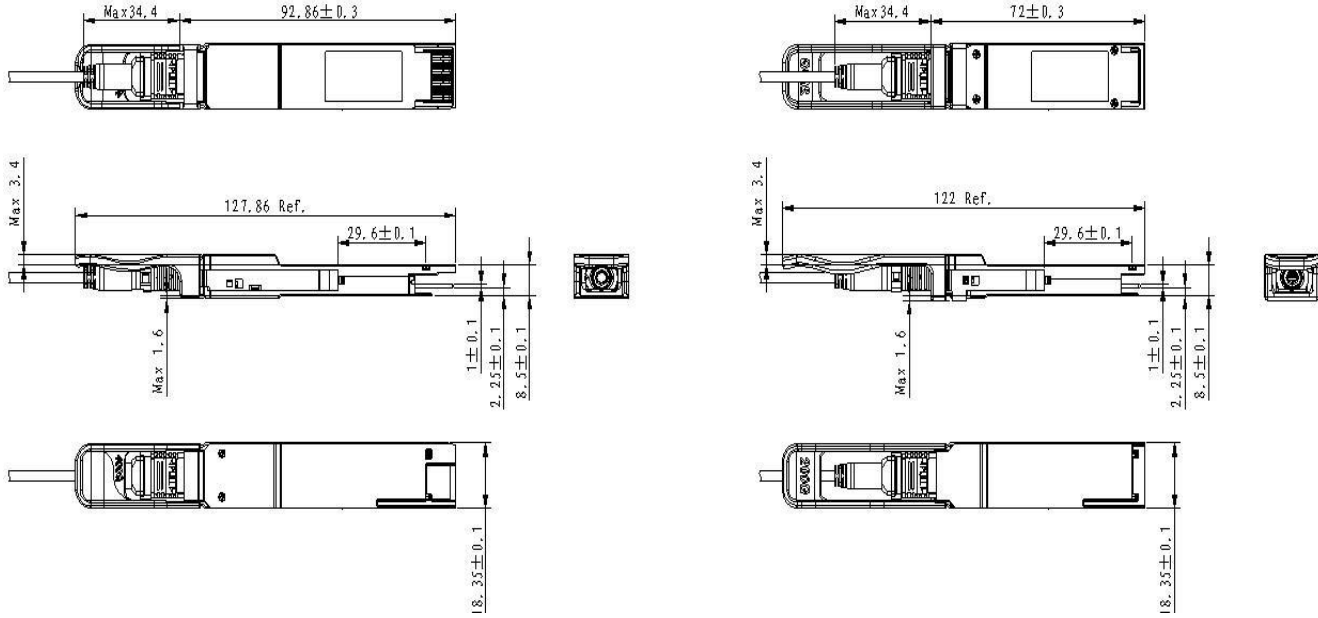


Figure 7. Package Outline

VIII. Module Memory Map

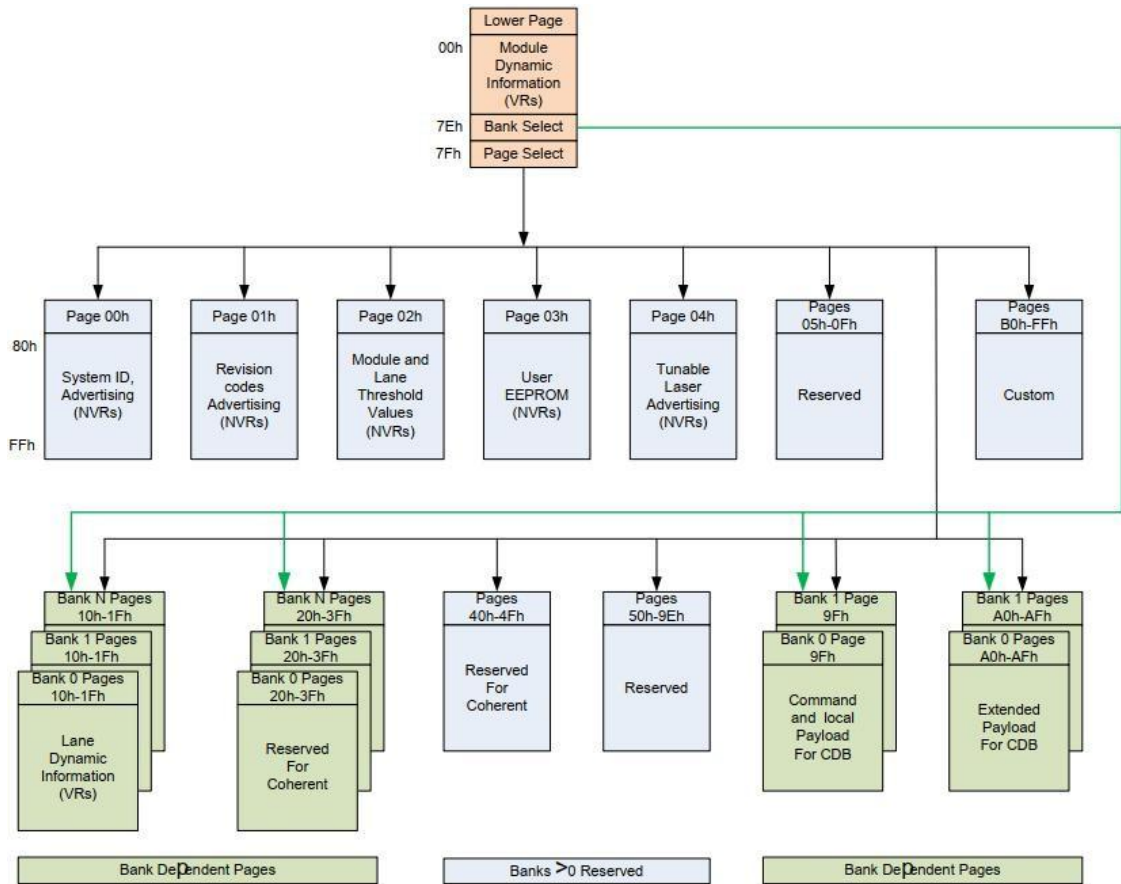


Figure 8. Digital Diagnostic Memory Map

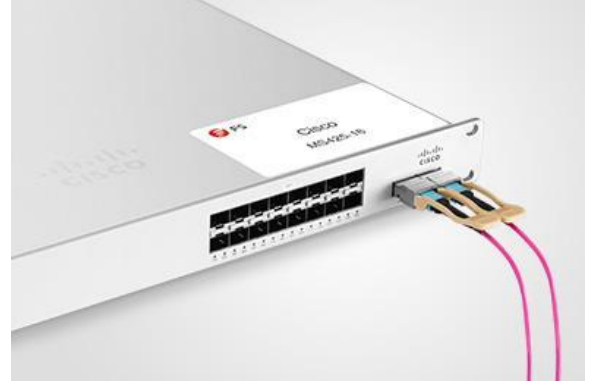
Test Center

I. Compatibility Testing

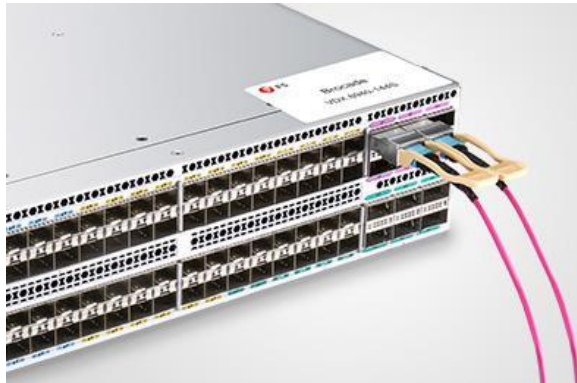
Each fiber optical transceiver has been tested in host device on site in FS Assured Program to ensure full compatibility with over 200 vendors.



Cisco Catalyst C9500-24Y4C



Cisco MS425-16



Brocade VDX 6940-144S



Dell EMC Networking Z9100-ON



Force10 S60-44T

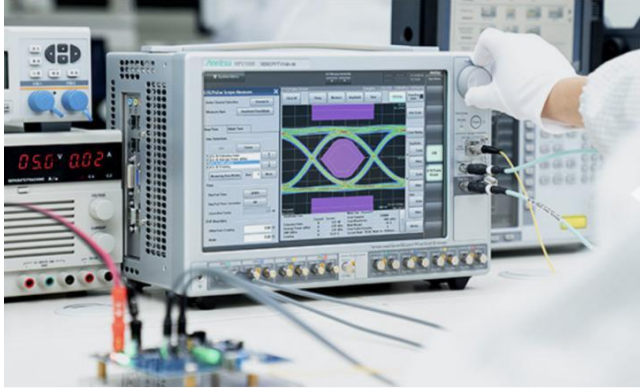


HUAWEI S6720-30L-HI-24S

Above is part of our test bed network equipment. For more information, please click the Test Bed PDF. It will be updated in real time as we expand our portfolio.

II. Performance Testing

Each fiber optical transceiver has been fully tested in FS Assured Program equipped with world's most advanced analytical equipment to ensure that our transceivers work perfectly on your device.



1. TX/RX Signal Quality Testing

Equipped with the all-in-one tester integrated 4ch BERT & sampling oscilloscope, and variable optical attenuator to ensure the input and output signal quality.

- Eye Pattern Measurements: jitter, Mask Margin, etc
- Average Output Power
- OMA
- Extinction Ratio
- Receiver Sensitivity
- BER Curve

2. Reliability and Stability Testing

Subject the transceivers to dramatic changes in temperature on the thermal shock chamber to ensure reliability and stability of the transceivers.

- Commercial: 0 °C to 70 °C
- Extended: -5 °C to 85 °C
- Industrial: -40 °C to 85 °C



3. Transfer Rate and Protocol Testing

Test the actual transfer data rate and the transmission ability under different protocols with Network Master Pro.

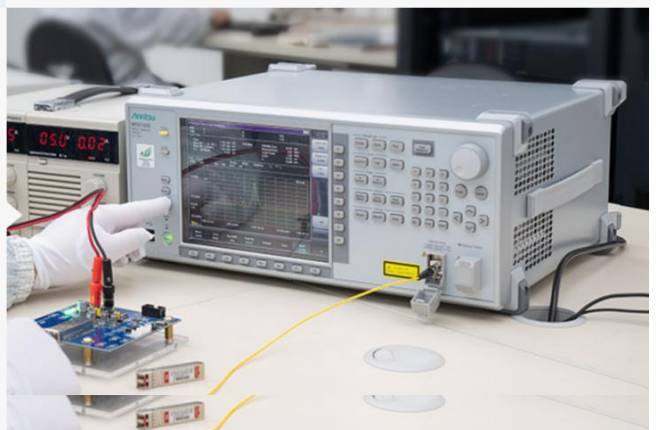
- Ethernet
- Fibre Channel
- SDH/SONET
- CPRI



4. Optical Spectrum Evaluation

Evaluate various important parameters with the Optical Spectrum Analyzer to meet the industry standards.

- Center Wavelength, Level
- OSNR
- SMSR
- Spectrum Width



Order Information

Part Number	Data Rate	Length	Wire Gauge	Connector Type	Temp. Range	Cable Jacket
QDD-4Q56A001	400G	1M	AOC Cable	QDD to 4Q56	0-70 °C	LSZH
QDD-4Q56A002	400G	2M	AOC Cable	QDD to 4Q56	0-70 °C	LSZH
QDD-4Q56A003	400G	3M	AOC Cable	QDD to 4Q56	0-70 °C	LSZH
QDD-4Q56A005	400G	5M	AOC Cable	QDD to 4Q56	0-70 °C	LSZH
QDD-4Q56A007	400G	7M	AOC Cable	QDD to 4Q56	0-70 °C	LSZH
QDD-4Q56A010	400G	10M	AOC Cable	QDD to 4Q56	0-70 °C	LSZH
QDD-4Q56A015	400G	15M	AOC Cable	QDD to 4Q56	0-70 °C	LSZH
QDD-4Q56A025	400G	25M	AOC Cable	QDD to 4Q56	0-70 °C	LSZH
QDD-4Q56A030	400G	30M	AOC Cable	QDD to 4Q56	0-70 °C	LSZH
QDD-4Q56A050	400G	50M	AOC Cable	QDD to 4Q56	0-70 °C	LSZH



 <https://www.fs.com>



The information in this document is subject to change without notice. FS has made all efforts to ensure the accuracy of the information, but all information in this document does not constitute any kind of warranty.