

# 25G SFP28 Passive Direct Attach Copper Twinax Cable



## Application

- 25G Ethernet
- Data Center

## Features

- Up to 25Gb/s data rate
- Operating case temperature of 0~70 ° C
- Single 3.3V supply voltage
- BER better than 10<sup>-15</sup>
- Hot pluggable
- RoHS 6 compliant
- Supports IEEE 802.3by
- SFF-8402 compliant Tested in an end-to-end system

## Description

The 25G SFP28 passive copper cable is a high speed, cost-effective 25Gbps/Ethernet connectivity solution designed to meet the growing needs for higher bandwidth in datacenters.

The 25G SFP28 passive copper cable contains a single high-speed copper pair, operating at data rates of up to 25Gb/s. The cables are compliant with IEEE P802.3by Ethernet standard and SFF-8402 SFP28 standard. Each SFP28 connector comprises an EEPROM providing product information which can be read by the host system.

FS's unique quality passive copper cable solutions provide efficient connectivity for short distance interconnects. It enables higher port bandwidth, density and configurability at a low cost and reduced power requirement in the data centers. Rigorous production testing ensures the best out-of-the-box installation experience, performance, and durability.

## Product Specifications

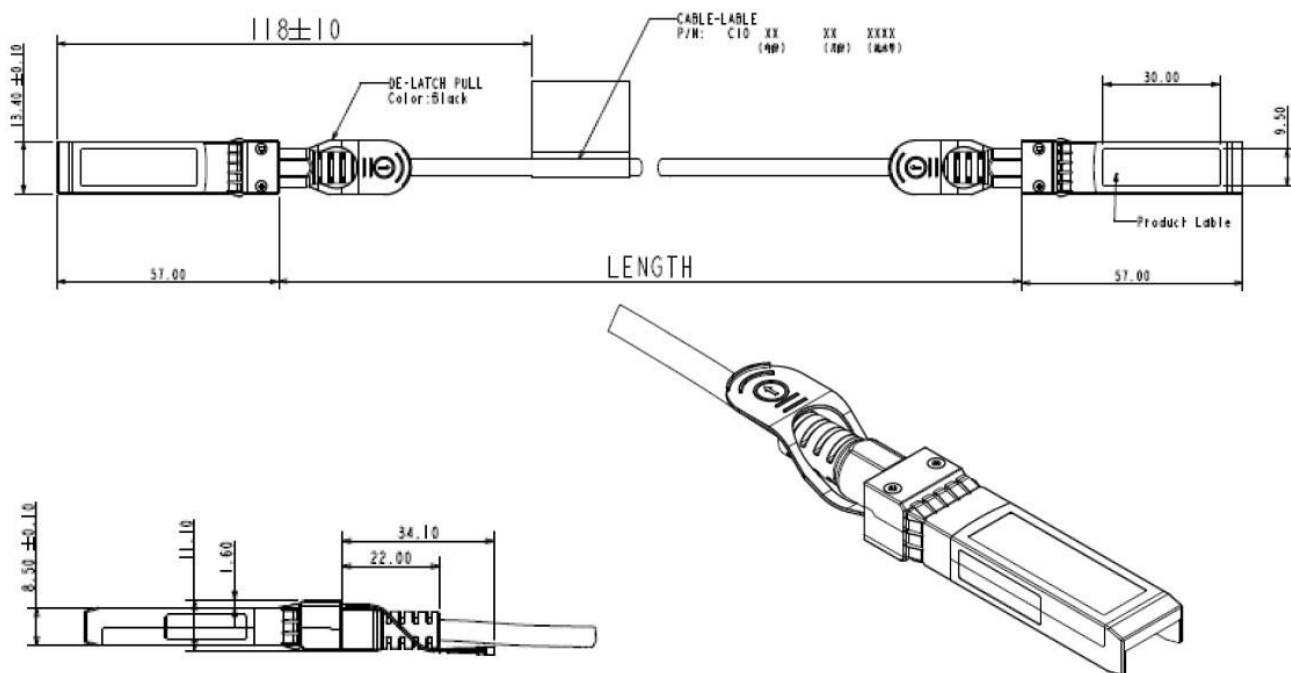
### I. Recommended Operating Environment

Parameter	Symbol	Min	Typ.	Max	Unit	Ref.
<b>Storage Temperature</b>		-40		+85	°C	
<b>Operating Case Temperature</b>	T <sub>c</sub>	0		+70	°C	
<b>Power Supply Voltage</b>	V <sub>CC3</sub>	3.14	3.3	3.47	V	

### II. Electrical Specifications

Parameter	Min	Typ.	Max	Unit	Ref.
<b>Characteristic Impedance</b>	90	100	110	Ω	
<b>Time Delay</b>			4.5	ns/m	

### III. Diagram Mechanical Drawing



## Test Center

FS.COM transceivers are tested to ensure connectivity and compatibility in our test center before shipped out. FS.COM test center is supported by a variety of mainstream original brand switches and groups of professional staff, helping our customers make the most efficient use of our products in their systems, network designs and deployments.

The original switches could be found nowhere but at FS.COM test center, eg: Juniper MX960 & EX 4300 series, Cisco Nexus 9396PX & Cisco ASR 9000 Series, HP 5900 Series & HP 5406R ZL2 V3(J9996A), Arista 7050S-64, Brocade ICX7750-26Q & ICX6610-48, Avaya VSP 7000 MDA 2, etc.



Cisco ASR 9000 Series(A9K-MPA-1X40GE)



ARISTA 7050S-64(DCS-7050S-64)



Juniper MX960



Brocade ICX 7750-26Q



Extreme Networks X670V VIM-40G4X



Mellanox M3601Q



Dell N4032F



HP 5406R ZL2 V3(J9996A)



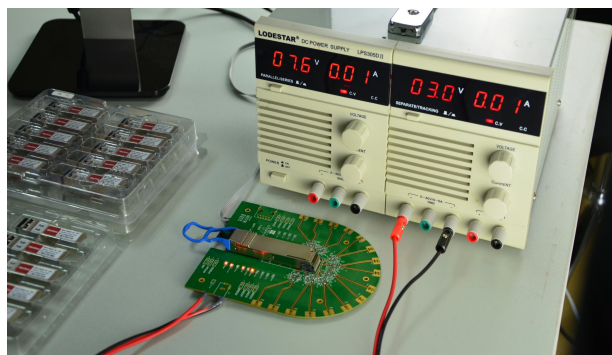
AVAYA 7024XLS(7002QQ-MDA)

## Test Assured Program

FS.COM truly understands the value of compatibility and interoperability to each optics. Every module FS.COM provides must run through programming and an extensive series of platform diagnostic tests to prove its performance and compatibility. In our test center, we care of every detail from staff to facilities—professionally trained staff, advanced test facilities and comprehensive original-brand switches, to ensure our customers to receive the optics with superior quality.



Our smart data system allows effective product management and quality control according to the unique serial number, properly tracing the order, shipment and every part.



Our in-house coding facility programs all of our parts to standard OEM specs for compatibility on all major vendors and systems such as Cisco, Juniper, Brocade, HP, Dell, Arista and so on.



With a comprehensive line of original-brand switches, we can recreate an environment and test each optics in practical application to ensure quality and distance.



The last test assured step to ensure our products to be shipped with perfect package.

## Order Information

Part Number	Length	AWG	Diameter	Minimum Bend Results	Length Tolerance	Cable Color	Description
S28-PC005	0.5m	30	4.5 ±0.2 (PVC)	Single bend: 22.5mm Repeated bend: 45mm	±25	Black	Passive Copper cable, ETH, up to 25Gb/s, SFP28, 0.5m, 30 AWG
S28-PC01	1m	30	4.5 ±0.2 (PVC)	Single bend: 22.5mm Repeated bend: 45mm	±25	Black	Passive Copper cable, ETH, up to 25Gb/s, SFP28, 1m, 30 AWG
S28-PC02	2m	30	4.5 ±0.2 (PVC)	Single bend: 22.5mm Repeated bend: 45mm	±50	Black	Passive Copper cable, ETH, up to 25Gb/s, SFP28, 2m, 30 AWG
S28-PC03	3m	30	4.7±0.3mm (PVC)	Single bend: 23.5mm Repeated bend: 47mm	±50	Black	Passive Copper cable, ETH, up to 25Gb/s, SFP28, 3m, 30 AWG
S28-PC05	5m	26	5.2 ±0.3 mm (PVC)	Single bend: 26mm Repeated bend: 52mm	±50	Black	Passive Copper cable, ETH, up to 25Gb/s, SFP28, 5m, 26 AWG



 <https://www.fs.com>



The information in this document is subject to change without notice. FS has made all efforts to ensure the accuracy of the information, but all information in this document does not constitute any kind of warranty.