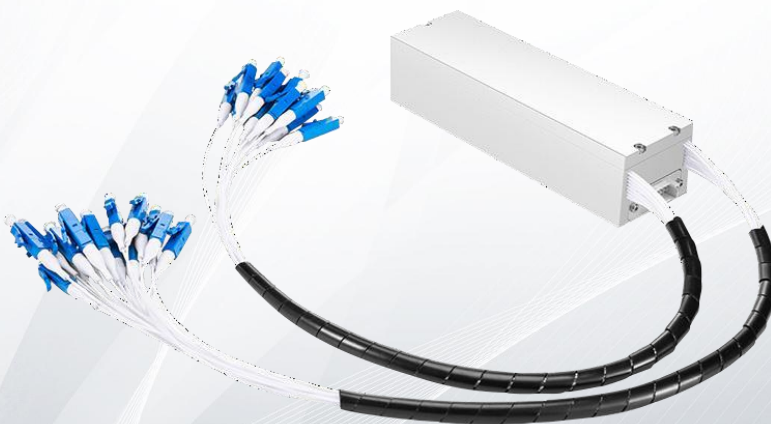


1xN Multi-channel Opto-Mechanical Optical Switch Module

Data Center & Cloud Computing Infrastructure Solutions



Overview

The 1xN Multi-channel Opto-Mechanical Optical Switch Module is an ideal product with small size and superior optical performance, which can connect optical channels by redirecting one incoming optical signal into a selected output fiber.

Features

- Up to 48 channels
- Low loss and high reliability
- Modularized design
- Epoxy-free in optical path

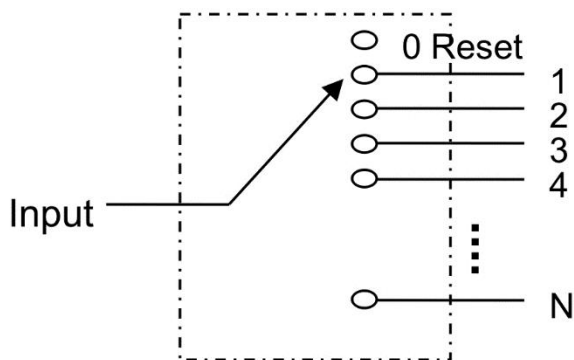
Applications

- Ring network
- Remote monitoring in optical network
- Testing of fiber optical component

Technical Specification

Parameters	Description	
Fiber Configurations	1xN (1 < N ≤ 32)	1xN (32 < N ≤ 48)
Insertion Loss	≤ 1dB	≤ 1.5dB
Wavelength	980nm; 1310nm; 1550nm; 1310/1550nm	
Return Loss	Singlemode ≥ 55dB; Multimode ≥ 35dB	
Crosstalk	≥ -80dB	
PDL	≤ 0.1dB	
WDL	≤ 0.25dB	
TDL	≤ 0.30dB	
Repeatability	≤ ±0.05dB	
Lifetime	3X10 ⁷ cycles	
Optical Input Power	≤ 1000mW	
Switching Time	≤ 10ms (Sequence switch time of adjacent channel)	
Operating Temperature	-10°C~+70°C	
Storage Temperature	-40°C~+85°C	
Power Supply	5V	
Dimensions (HxWxD)	1.26"x5.31"x1.57" (32x135x40mm)	

Optical Route



Pins

Pin	I/O	Signal Name	Description
1	Input	/RESET	TTL, Low level reset to channel 0; high level means channel; selection bits are effective.
2	Input	D0	TTL, D0 is low, and D4 is high. Example: 00000b=1 CH; 11111b=32 CH.
3	Input	D1	
4	Input	D2	
5	Input	D3	
6	Input	D4	
7	Out	/READY	TTL, Ready (High=Not ready, Low=Ready)
8	Out	ERROR	TTL, Error (High=Error, Low=No error)
9	Power in	GND	Ground
10	Power in	5V	5.0±5% VDC Power Supply (max 500mA)
11	S-	RS232(485)	RX (B)
12	S+	RS232(485)	TX (A)

Ordering Information

ID	Description
----	-------------

[#34148](#)

Customized 1xN Multi-channel Opto-Mechanical Optical Switch Modules



 <https://www.fs.com>



The information in this document is subject to change without notice. FS has made all efforts to ensure the accuracy of the information, but all information in this document does not constitute any kind of warranty.