

16 Fibers MTP® Trunk Cables Datasheet

IDEAL FOR 400G HIGH SPEED NETWORK CONNECTION



MTP®-16 Trunk Cables

16 Fibers MTP® trunk cable is designed for 400G QSFP-DD SR8 optics direct connection and supporting 400G transmission for Hyperscale Data Center. With US Conec MTP® connectors and Corning Clearcurve fiber, it is optimized for high-density fiber patching in data centers which need space saving and reduce cable management troubles.

Standards Compliance

- RoHS, CE (EN 50575 CPR), ISO9001 and WEEE Compliant
- Qualified to TIA-568.3-D
- Standards Compliance TIA 604-18
- Standards Compliance IEC 61754-7-3; 61754-7-4

Features

- US Conec MTP® connector
- 0.35dB ultra low insertion loss
- Corning Clearcurve® multimode fiber
- 7.5mm minimum bend radius
- A unique offset keying feature is designed into the connector
- Factory terminated and tested

Technical Specification

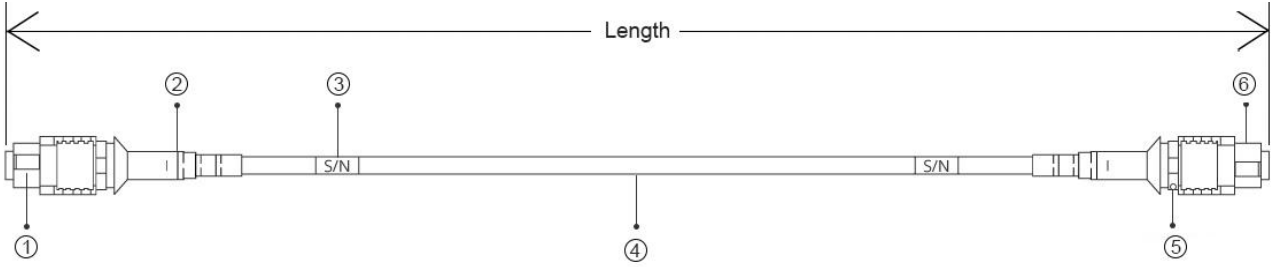
Construction	Description
Fiber Count	16 Fibers (MTP®-16)
Fiber Mode	OM4 50/125µm
Glass Fiber	Corning ClearCurve® multimode fiber
Connector Type	US Conec MTP® Female
Polish Type	APC to APC
Cable Jacket	Plenum (OFNP)
Cable Type	Bunch
Cable Diameter	3.0mm
Minimum Bend Radius	7.5mm
Operating Temperature	-10°C to +70°C
Storage Temperature	-40°C to +85°C

Optical Properties	Description
Wavelength (nm)	850/1300
Attenuation (dB/km)	≤2.3 at 850nm, ≤0.6 at 1300nm
Insertion Loss (dB)	0.35 Max (0.15dB Typ.)
Return Loss (dB)	≥20
Transmission Distance	100m at 400G

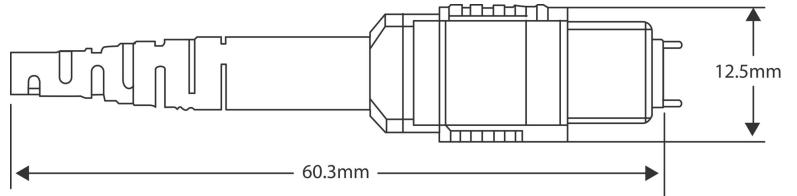
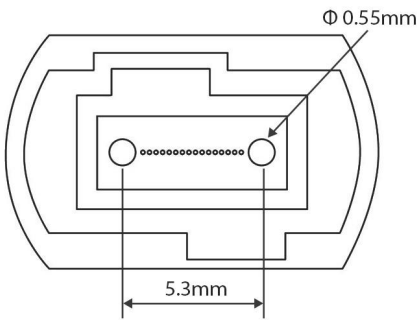
Product Specifications

I. Technical Drawing

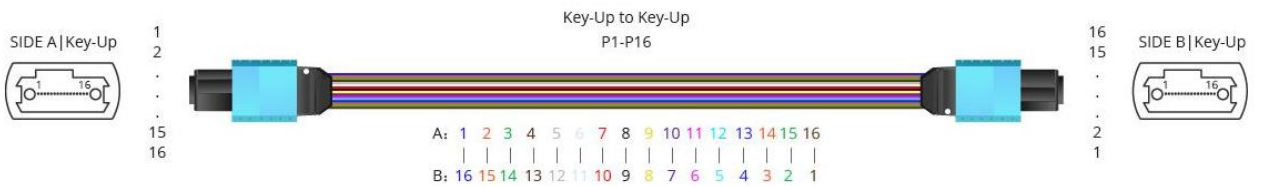
Utilizing the same external footprint as the existing traditional 12-fiber MT ferrule, the MTP®-16 consists of a US Conec MT Elite ferrule with 16 fibers in single row, leveraging all the proven MT Elite ferrule technology in a higher-density format. A unique offset keying feature is designed into the connector to ensure proper mating without inadvertently connecting 16-fiber hardware with standard MPO-compliant hardware.



- ① Key ② Connector Boot ③ Serial Number Label ④ Cable Jacket 3.0mm OD ⑤ White Dot ⑥ MTP® Connector



II. Inner Line Sequence



Fiber Optic Cleaning and Application

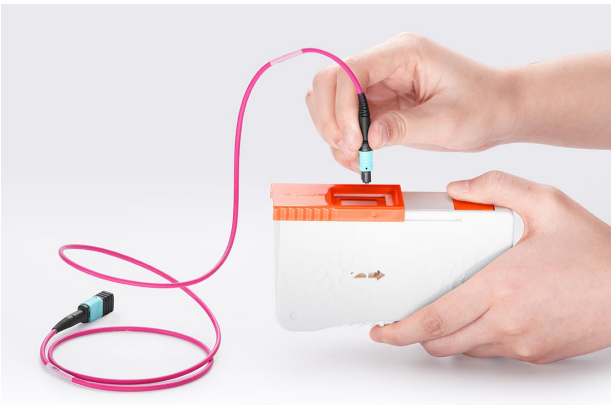
NEOCLEAN-M2 One-Push Cleaner



Characteristics

- Clean MTP®-16 connectors with NEOCLEAN-M2 One-Push Cleaner.
- Insert the MTP®-16 connector into NEOCLEAN-M2 One-Push Cleaner, then press the cleaner until you hear a click sound.
- The cleaner is capable of cleaning MTP®-16 ferrules inside.

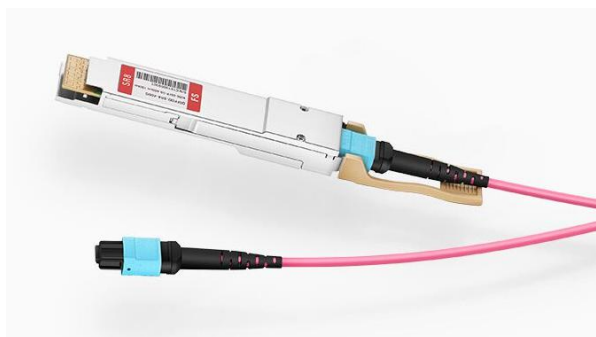
CLE-BOX Fiber Optic Cassette Cleaner



Characteristics

- Clean MTP®-16 connectors with CLE-BOX Fiber Optic Cassette Cleaner.
- Keep connector perpendicular to wiping board and slide the end face in the direction of the arrow.

Direct Connection for 400GBASE-SR8 QSFP-DD Transceivers



Characteristics

- Matching 400G QSFP-DD SR8 fiber optics for 400G high speed transmission.
- The new keying design in a higher-density format is standardized by TIA and IEC.

Hot Products

ID	Description
#93744	1m (3ft) MTP® APC Female, 16F OM4 , for 400G Network Connection, Plenum (OFNP)
#93745	2m (7ft) MTP® APC Female, 16F OM4 , for 400G Network Connection, Plenum (OFNP)
#93746	3m (10ft) MTP® APC Female, 16F OM4 , for 400G Network Connection, Plenum (OFNP)
#93747	5m (16ft) MTP® APC Female, 16F OM4 , for 400G Network Connection, Plenum (OFNP)
#93748	10m (33ft) MTP® APC Female, 16F OM4 , for 400G Network Connection, Plenum (OFNP)

Related Products

ID	Description
#96982	N9500-32D (32*400Gb) Data Center Switch, Bare-Metal Hardware
#93264	Generic Compatible 400GBASE-SR8 QSFP-DD 850nm 100m DOM Transceiver Module
#85849	NEOCLEAN-M2 MTP®/MPO-16 One-Push Cleaner (600 cleans)
#26388	CLE-BOX Fiber Optic Cassette Cleaner



 <https://www.fs.com>



The information in this document is subject to change without notice. FS has made all efforts to ensure the accuracy of the information, but all information in this document does not constitute any kind of warranty.