

12U GV600-Series Wall Mount Cabinet with Vented Front Door



GV600-Series Wall Mount Cabinet

The Wall Mount Server Cabinet is designed to house EIA-standard 19-inch rack equipment in network wiring closets, retail locations, classrooms, back offices and other areas with limited floor space where you need equipment to be secure, organized and out of the way. Constructed from heavy-duty steel with a durable black powder-coated finish, the cabinet has a maximum load capacity of 198lbs.

Key Features

1. Vented Door and Side Panel

Vented front door and side panels allow generous airflow, keeping equipment cool.



2. Top and Bottom Panel

Convenient top and bottom ports allow easy cable routing.



3. Rear Door

Rear door can be opened easily for quick access to equipment and cabling.



4. Wall-mounting Hole

Wall-mounting holes space 16" apart for standard wall stud placement.



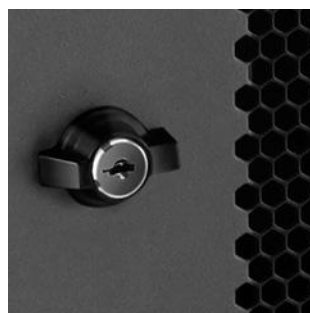
5. Mounting Rail

Square and #12-24 threaded mounting holes make equipment installation easy.



6. Door Lock

Door locks securely to help prevent damage, tampering or theft.



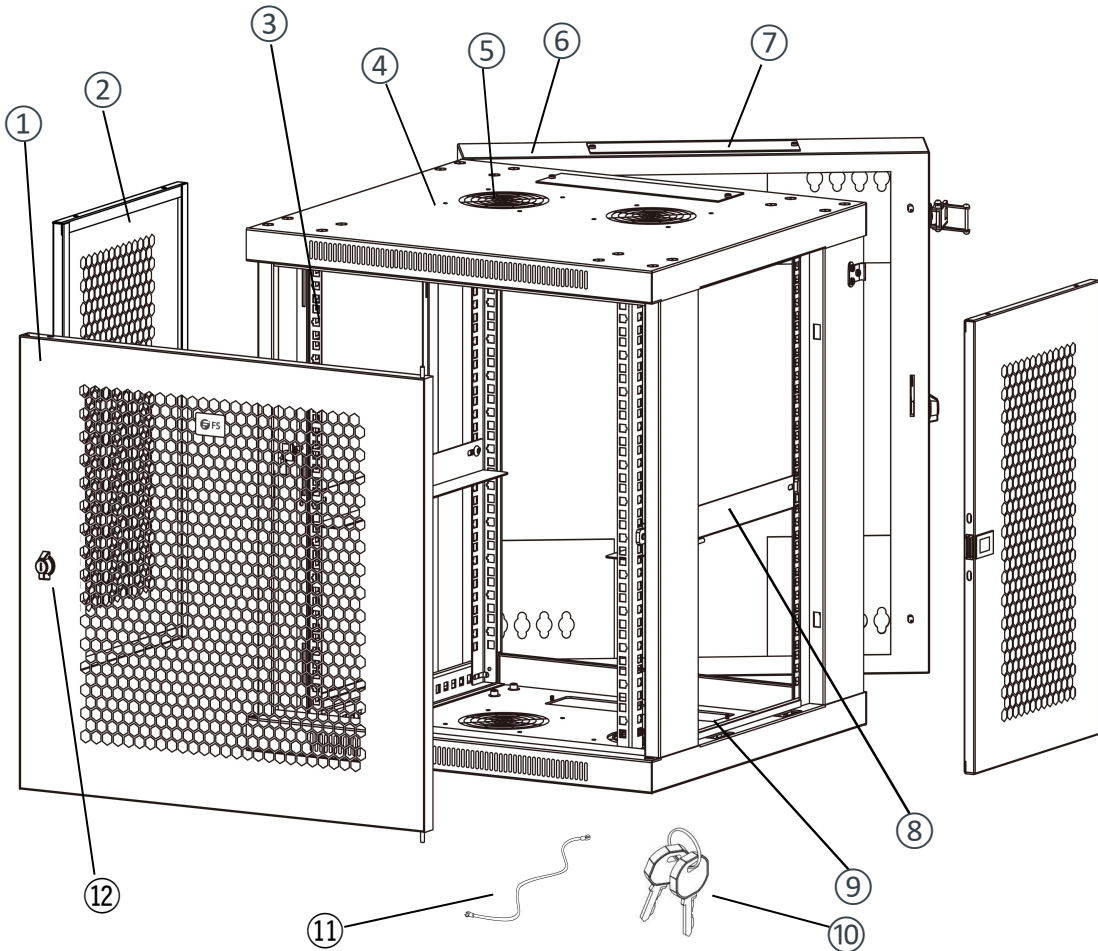
Technical Specification

Product Type	Wall Mount Cabinet
No. of Rack Spaces	12U
Maximum Height	25.08" (637mm)
Maximum Depth	25.59" (650mm)
Maximum Width	23.62" (600mm)
Available Maximum Depth	19.25" (489mm)
Color	Black
Front Door	Perforated
Rear Door	Hinged
Side Panel	Perforated
Static Load Capacity	198.4lbs (90kg)
Grounding Wire	Front and back door frames
Packaging Type	Fully Assembled

Compliant

ANSI/EIA RS-310-D, IEC297-2, DIN 41491;
PART1, DIN41494; PART 7, GB/T3047.2-92, ETSI Stanard

Assembly Structure Illustration

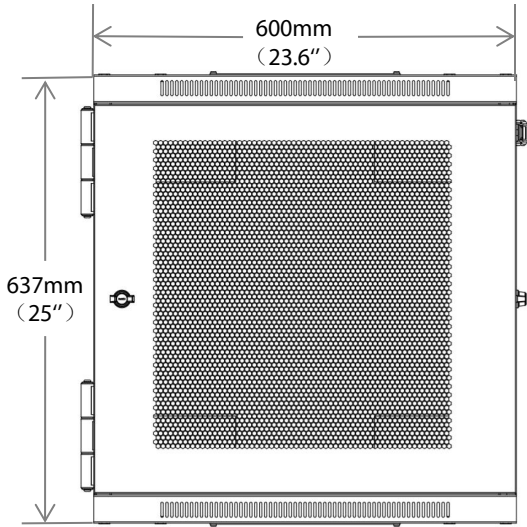


- | | |
|---------------------------------|--------------------------------|
| ① Perforated Front Door (x1) | ⑦ Cable Access Port Cover (x3) |
| ② Side Panel (x2) | ⑧ L Type Mounting Bracket (x2) |
| ③ Adjustable Mounting Rail (x4) | ⑨ Bottom Panel (x1) |
| ④ Top Panel (x1) | ⑩ Key (x2) |
| ⑤ Ventilation Fan Port (x4) | ⑪ Grounding Wire (x1) |
| ⑥ Hinged Rear Door (x1) | ⑫ Lock (x2) |

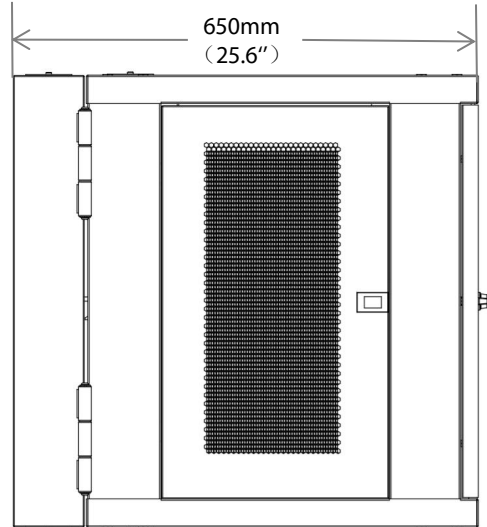
Accessories

- Expansion Screws (x4)
- Fork Wrench (x1)
- Installation Instruction (x1)
- M6 Screw, Nut and Cup Washer (x20)
- Philips-head Screwdriver (x1)

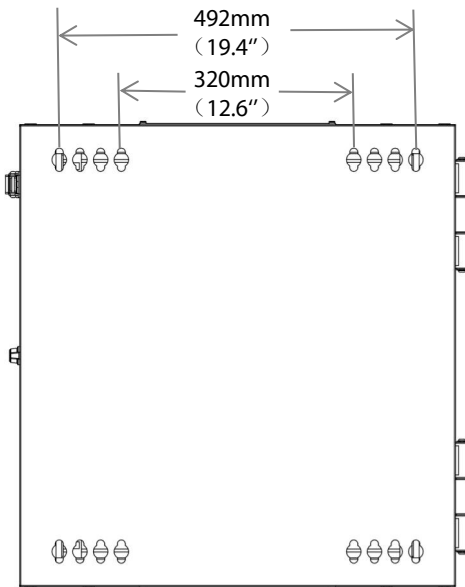
Cabinet Dimension Illustration



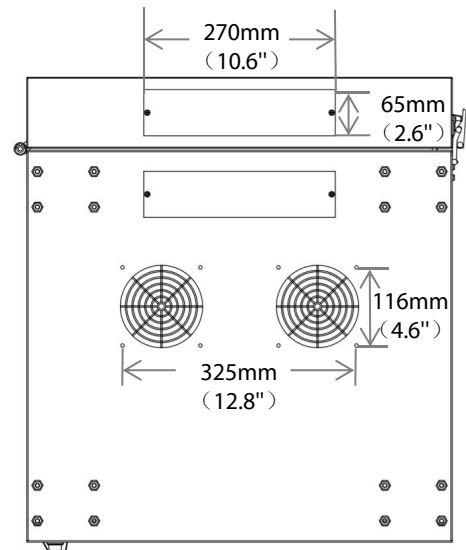
Front



Side



Rear



Top

Cabinet Application

Wall-mount cabinet secures and organizes 12U of 19-inch rack equipment in server closets, classrooms and other locations with limited floor space. Houses switches and PDUs up to 19.3 inches deep.



Product Options in This Cabinet






FS offers a full line of products and options that include switch, PDU and others to help perfect your wall mount server cabinet.

Picture	ID No.	Description
	#73457	8-Port Gigabit PoE+ Managed Switch with 2 SFP, 150W
	#69180	1U 24 Ports Cat6 Unshielded Feed-Through High Quality Patch Panel
	#29038	1U Plastic Single Sided Horizontal Cable Manager with Finger Duct
	#29452	Single-Phase 15A/125V Basic PDU, 8 NEMA 5-15R Outlets, NEMA 5-15P Plug, 6.6ft Cord, 1U Rack-Mount

Picture	ID No.	Description
	#66742	6in (0.15m) Cat6 Snagless Unshielded (UTP) PVC CM Slim Ethernet Network Patch Cable, Blue
	#36021	3ft (0.9m) IEC320 C14 to IEC320 C13 14AWG 250V/15A Power Extension Cord, Blue

Mounting Hardware

Shelves and mounting accessories to aid in the installation of IT equipment and secure racks into position.

Picture	ID No.	Description
	#72752	1U 19" Tool-Less Snap-In Blanking Panel can reduce bypass airflow through open spaces
	#72753	1U 19" Rack Blanking Panel creates a clean and professional look by covering empty rack space
	#71024	1U 19" Vented Cantilever Fixed Shelf supports up to 22lbs and mounting in cabinets as deep as 10"
	#28952	Anti-Static Wrist Strap protects your sensitive hardware from static electricity.
	#14101	M6 Model Screw and Nut installs your rack-mountable hardware securely.



 <https://www.fs.com>



The information in this document is subject to change without notice. FS has made all efforts to ensure the accuracy of the information, but all information in this document does not constitute any kind of warranty.